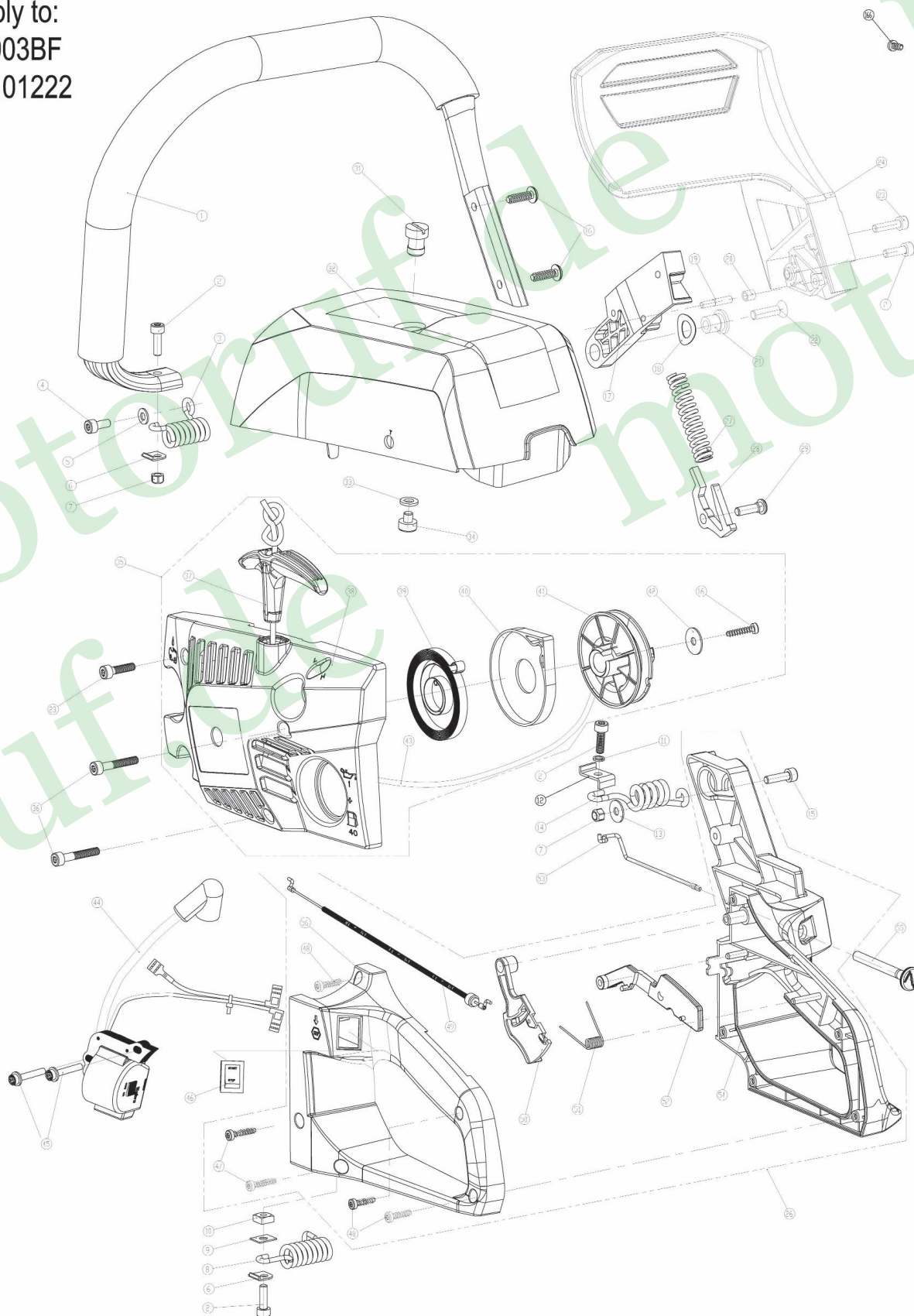


Model: PCS46B

Apply to:

00903BF

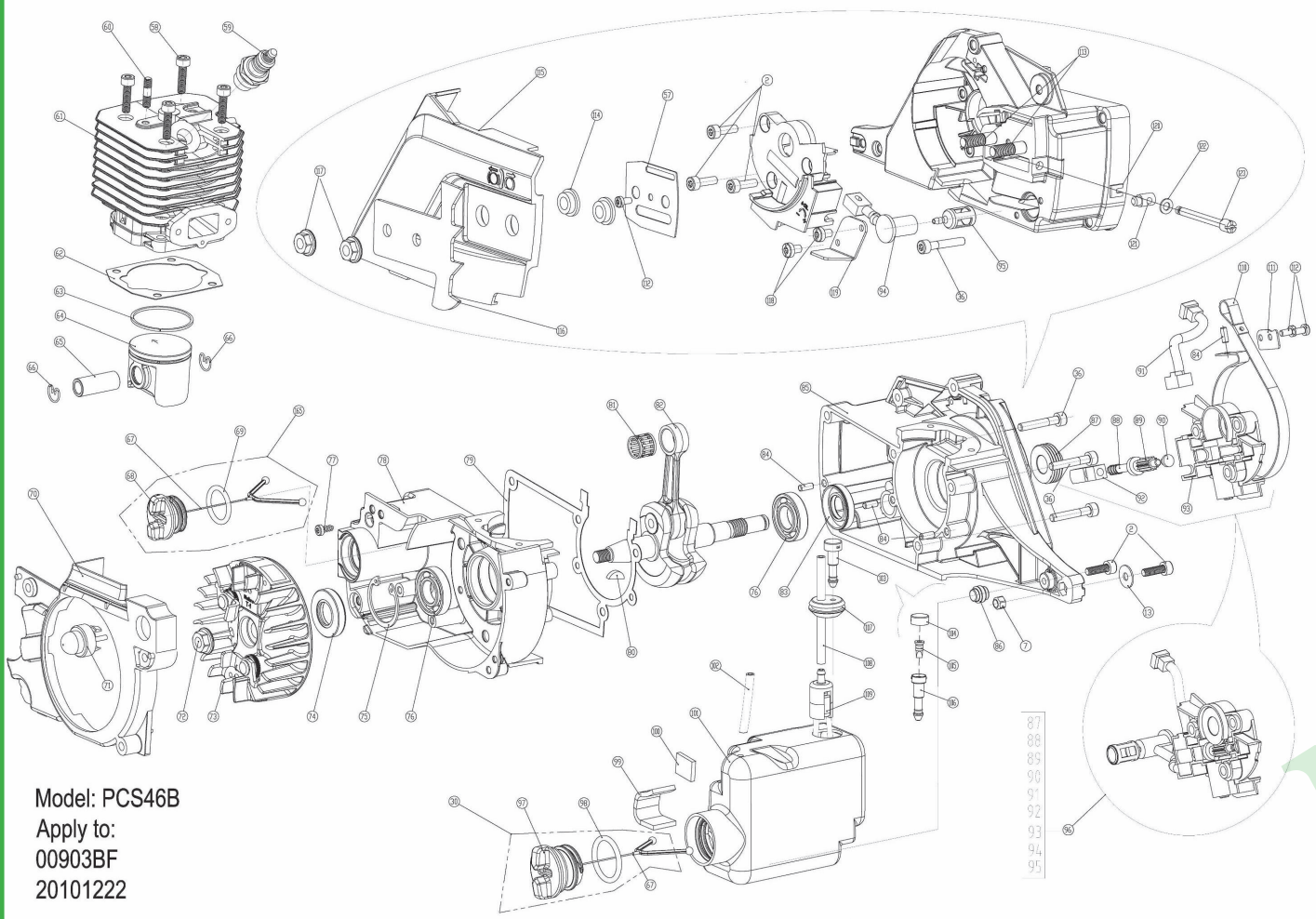
20101222



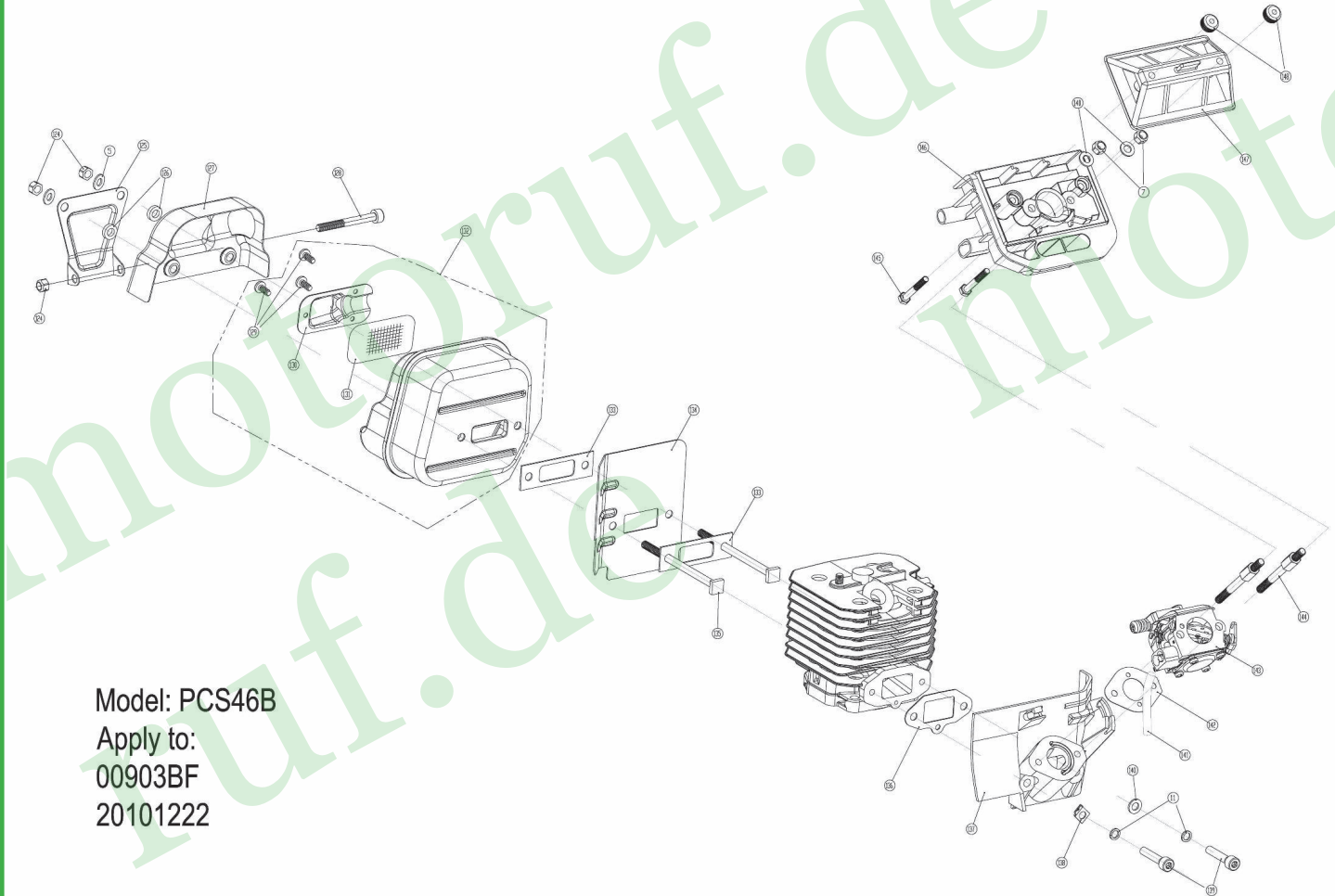
## Spare Parts list

File: 0150100903BF

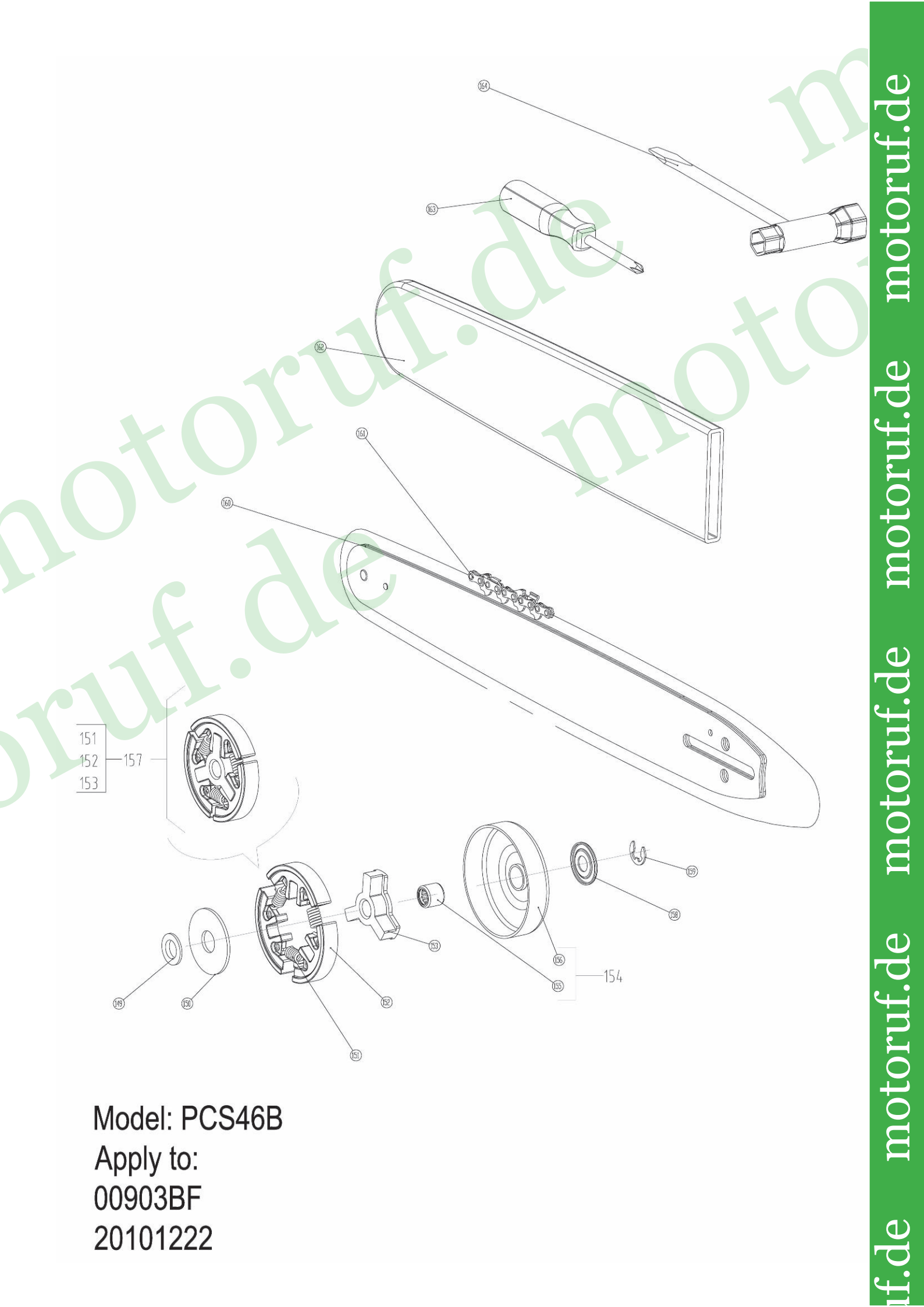
Version: 1.1



Model: PCS46B  
Apply to:  
00903BF  
20101222



Model: PCS46B  
Apply to:  
00903BF  
20101222



Model: PCS46B

Apply to:

00903BF

20101222

Pos. No	Part code	Part name
1	905207	front handle assy
2	B350012	Hexagon lobular socket head cap screws M5×16
3	900510	damper spring-front
4	B350004	Hexagon lobular socket head cap screws M5×12
5	900238	washer 5×10.5×1.0
6	900244	special washer
7	B217003	Prevailing torque type hexagon nuts M5
8	900509	damper spring-rear
9	900237	square washer
10	B200003	square nut
11	B500005	Single coil spring lock washers 5
12	903207	special washer
13	B503004	Plain washers 5
14	903511	damper spring-top
15	B350015	Hexagon lobular socket head cap screws M5×18
16	B422001F	Hexagon lobular socket pan head tapping screws 5×19
17	900240	brake lever
18	900501	dishing washer
19	900242	pin
20	900241	bush
21	900204	pivot-brake lever
22	B306004	Hexagon socket countersunk head screws
23	B350005C	Hexagon lobular socket head cap screws M5×20
24	905007	front handle guard
25	905214	weight
26	900038	rear handle assy.
27	900500	spring-brake
28	900221	latch-brake
29	900220	pivot-latch
30	900034PWARMREDC	fuel cap assy
31	903211	nut-top cover
32	903005PWARMREDC	top cover
33	B504006H	Plain washers 6
34	900319	damper rubber
35	900037GP430C	starter assy.
36	B350007	Hexagon lobular socket head cap screws M5×30
37	903008PWARMREDC	grip-starter
38	903004GP430C	starter housing
39	900504	screw spring
40	900009	case-starter spring
41	905030	pulley
42	910215	plain washer 5×1×1.0
43	910903	starting rope
44	903706	ignition module
45	901235	screw M4×20
46	901706PWARMREDC	switch
47	B422008F	Hexagon lobular socket pan head tapping screws st4×19
48	B422007F	Hexagon lobular socket pan head tapping screws st4×14
49	900905	throttle cable
50	905008PWARMREDC	throttle trigger
51	900512	spring-trigger

52	905009PWARMREDC	safety trigger
53	903502	choke lever rod
54	905006	rear handle-right
55	903020WARMREDC	choke knob
56	905005	rear handle-left
57	900205	plate bar
58	B304003	Hexagon socket head cap screws M5×20□12.9
59	902700	spark plug NHSP LD L8RTF
60	900249	double end studs M5
61	903200X	cylinder
62	900301	gasket-cylinder
63	903202	piston ring
64	903201	piston
65	903203	piston pin
66	903500	piston pin circlip
67	900025	cap retainer
68	900003PWARMREDC	oil tank cap
69	B701609	O-ring 19×3.55
70	903007	fan housing
71	903302	primer
72	B228003	Hexagon nuts with flange M8
73	903213	flywheel
74	900305	oil seal 32×15×6
75	B276022	Circlips for holes 32
76	B700415	Deep groove ball bearing 6002 P5/C3
77	900252	tapping screw 4×9
78	900218M	left crankcase
79	900300	gasket-crankcase
80	B701402	woodruff key 3×5×13
81	903600	needle cage-piston
82	903205	crankshaft assy.
83	900307	oil seal 30×15×6
84	B563001	Parallel pins 4×10
85	900219	right crankcase
86	900002	fuel tank retainer
87	900230	worm gear
88	900506	spring-pump piston
89	900903	piston assy.
90	900229	limited pin
91	900317	oil outlet tube
92	900228	cylinder-oil pump
93	900017	oil pump case
94	900316	oil inlet
95	900904	oil filter
96	900036	oil pump assy.
97	900016PWARMREDC	fuel tank cap
98	900311	seal ring-fuel tank cap
99	900902	cushion blocking 1
100	900908	cushion blocking 2
101	900013	fuel tank
102	901316	fuel return tube
103	900035	vent valve assy.
104	900015	valve cap

105	900310	vent
106	900014	valve body
107	900308	tank grommet
108	900309	carburetor tube
109	903302	fuel filter
110	900906	brake band
111	900243	special washer
112	B350001	Hexagon lobular socket head cap screws M4x8
113	B173001	double end studs M8X22-8.8
114	905218	bush-chain cover
115	903003GP430C	chain cover
116	900210	spike bumper
117	B228003	Hexagon nuts with flange M8
118	B350003	Hexagon lobular socket head cap screws M5x8
119	900208	chain catcher
120	900207	c clip-chain adjuster
121	900206	adjusting stake
122	B504005	Plain washers 5
123	900247	adjusting screw
124	B237001	Prevailing torque type all-metal hexagon nuts,style 1 M5
125	903212	muffler bracket
126	900246	washer
127	900245	muffler cover
128	B350008	Hexagon lobular socket head cap screws M5x45
129	B422015F	Hexagon lobular socket pan head tapping screws st4.2x9.5
130	900223	guide plate
131	901241	spark arrestor
132	903220	muffler assy.
133	900303	muffler gasket
134	905203	cooling plate
135	905248	square head bolt
136	900302	baffle plate gasket
137	900004	baffle plate
138	900704	ground terminal
139	B350006	Hexagon lobular socket head cap screws M5x25
140	B504005	Plain washers 5
141	900313	primer tube
142	900304	carburetor gasket
143	900900B	carburetor
144	900251	stud bolt
145	B126001	Hexagon head bolts M4x30
146	900001	air filter base
147	900005	air filter
148	900250	special nut M4
149	900200	clutch spacer
150	900201	clutch washer
151	900508A	clutch spring
152	900400	clutch shoe
153	900401	clutch carrier
154	900254	clutch assy.
155	B700456	Needle roller bearing HK1012
156	900235	chain sprocket
157	900402	clutch assy.

158	900202	sprocket washer
159	B282010	"E" rings 8
160	oregon 180SDEA095	guide bar
161	oregon 91P061X	saw chain
162	41001718J	chain cover
163	42090601	cross driver
164	900907	socket wrench
165	900034PWARMREDC	oil cap assy
166	B422021F	Hexagon lobular socket pan head tapping screws st4×9