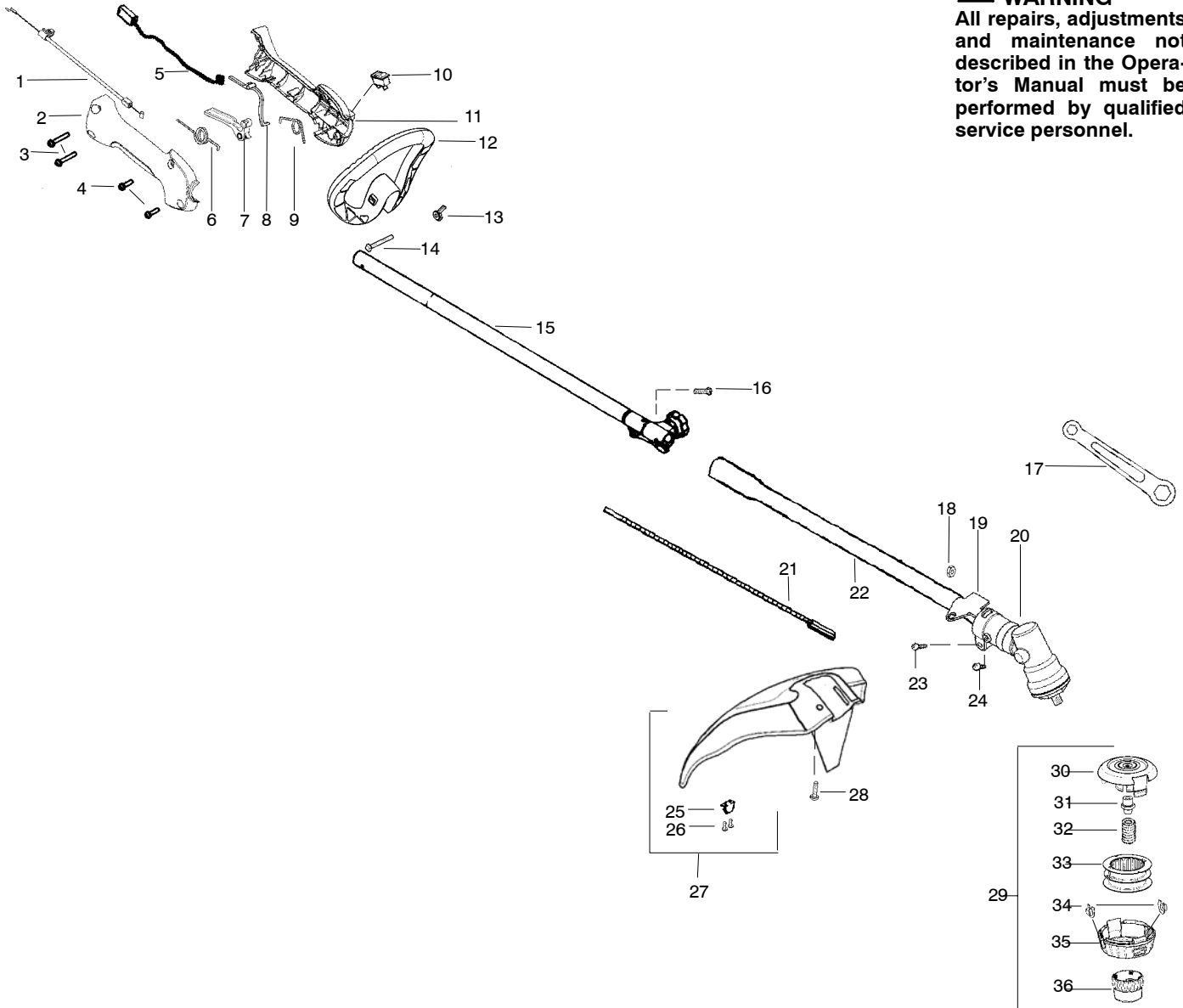


| | | | |
|------------------------------------|----------------------------------|------------------------------|--|
| PARTS LIST NO. 545014369 | | Poulan PRO PARTS LIST | MODEL(s) 125 (export) |
| DATE 12/15/06 | Replaces 545014369 - 02/06/06 | | Note: Illustration may differ from actual model due to design changes |

⚠ WARNING
All repairs, adjustments and maintenance not described in the Operator's Manual must be performed by qualified service personnel.

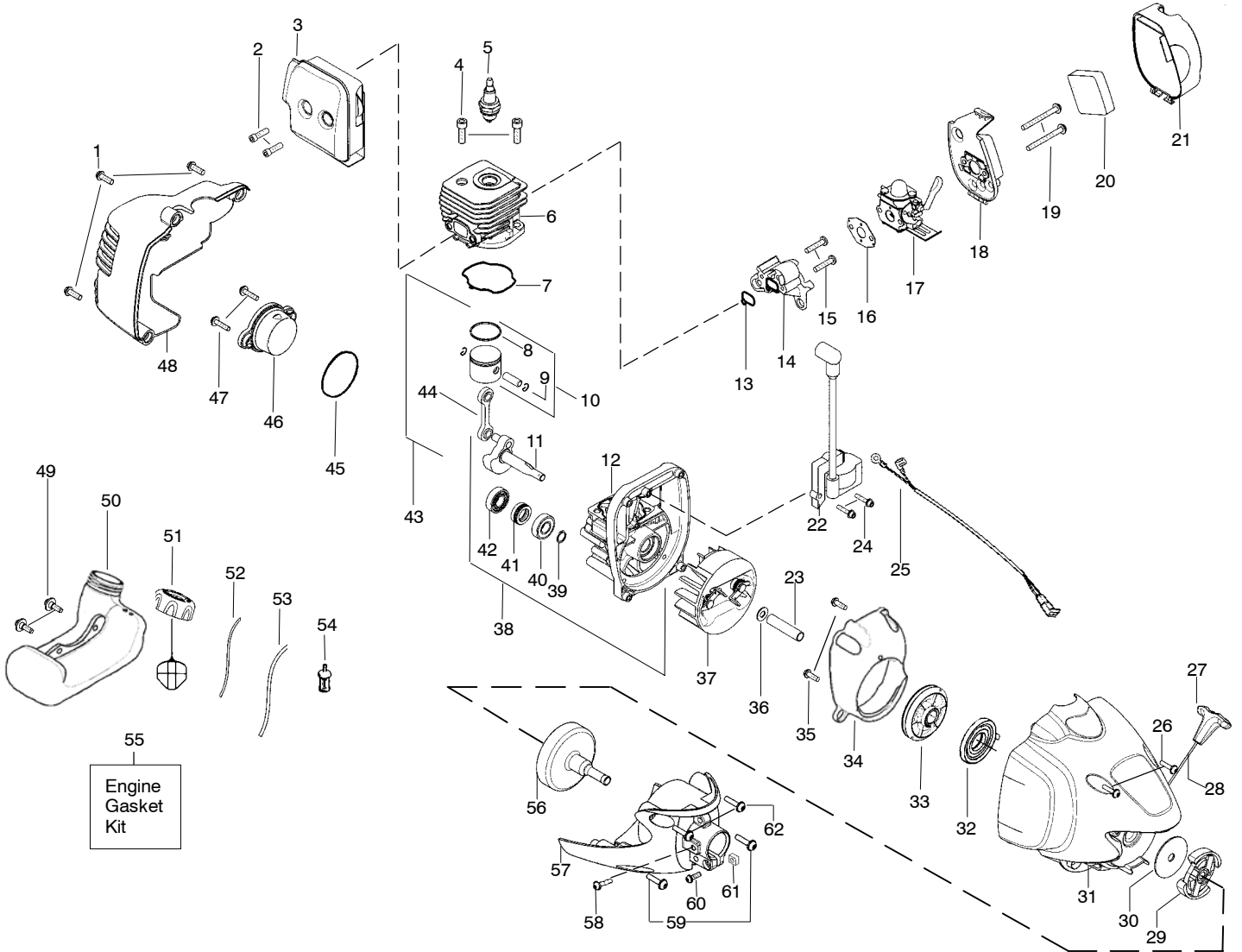


| Ref. | Part No. | Description | Ref. | Part No. | Description | Ref. | Part No. | Description |
|------|-----------|---|------|-----------|--|------|-----------|--------------------------------|
| 1. | 545044301 | Assy-Throttle Cable | 17. | 530056401 | Wrench | 32. | 537338801 | Spring P25 |
| 2. | 545012902 | Hsg.-Throttle (RH) | 18. | 530015197 | Nut | 33. | 530096328 | Assy-Wound Spool |
| 3. | 530016406 | Screw | 19. | 530057554 | Bracket-Shield | 34. | 537419701 | Eyelet |
| 4. | 530015814 | Screw | 20. | 530096099 | Gearbox | 35. | 537419401 | Cover |
| 5. | 530054183 | Assy.-Wire | 21. | 530096218 | Flexshaft-lower | 36. | 537419601 | Knob P25 |
| 6. | 545067201 | Spring-Trigger | 22. | 545006041 | Kit-Lower Shaft | | | |
| 7. | 545013001 | Trigger-Throttle | 23. | 530016014 | Screw | | | |
| 8. | 545013101 | Lockout | 24. | 530015775 | Screw | | | |
| 9. | 545015201 | Spring-Lockout | 25. | 530052285 | Limiters-Line | | | |
| 10. | 530069572 | Kit-Switch | 26. | 530015814 | Screw | | | |
| 11. | 545013201 | Hsg. Throttle (LH) | 27. | 545081001 | Kit-Shield Assy. (Incl. 17,18,25,26,28) | | | |
| 12. | 530058583 | Assy-Handle (Incl. 13,14) | 28. | 530015820 | Bolt | | | |
| 13. | 530016152 | Wingnut | 29. | 537419202 | Assy-TNG7 (Incl. 30, , 31,32,33,34,35,36) | | | |
| 14. | 530015786 | Bolt | 30. | 537419302 | Housing | | | |
| 15. | 545006022 | Kit-Upper Shaft (Incl. flex, clamp & 16) | 31. | 537419801 | Adapter | | | |
| 16. | 530016344 | Screw | | | | | | |
| | | | | | | | | Not Shown |
| | | | | | | ✓ | 545123526 | Operator Manual |
| | | | | | | | 530150142 | Decal-Warning CE |
| | | | | | | | 530150315 | Decal- Trimmer Att. Warning |

✓ = NEW PART NUMBER FOR THIS IPL

* = REFER TO THE SERVICE REFERENCE INDICATED FOR MORE INFORMATION. (LOCATED AT END OF IPL)

| | | | |
|------------------------------------|----------------------------------|------------------------------|--|
| PARTS LIST NO. 545014369 | | Poulan PRO PARTS LIST | MODEL(s) 125 (export) |
| DATE 12/15/06 | Replaces 545014369 - 02/06/06 | | Note: Illustration may differ from actual model due to design changes |



| Ref. | Part No. | Description | Ref. | Part No. | Description | Ref. | Part No. | Description |
|---|-----------|------------------------------------|------|-----------|---------------------------------|-----------|------------|--|
| 1. | 530015880 | Screw | 21. | 530057545 | Cover-Air Box | 44. | 530069945 | Kit-Conn. Rod |
| 2. | 530058982 | Bolt-Muffler | 22. | 530035505 | Ignition Module | 45. | 530071750 | O-Ring-C'case (kit) |
| 3. | 530059825 | Assy-Muffler/Shield (Incl. 2) | 23. | 530059758 | Spacer-Flywheel | 46. | 530057954 | Assy-Plug (incl.45) |
| 4. | 530015953 | Screw-Cylinder | 24. | 530016357 | Screw | 47. | 530016386 | Screw |
| 5. | 952030249 | Spark Plug (RCJ 6Y) | 25. | 545015601 | Assy-Switch wire | 48. | 530057539 | Shroud-Rear |
| 6. | 545093701 | Cylinder | 26. | 530015810 | Screw | 49. | 530016445 | Retainer-Tank |
| 7. | 530071750 | Seal-Cylinder (kit) | 27. | 530054834 | Handle-Starter | 50. | 530057974 | Assy-Fuel Tank (incl. filter, lines & fuel cap) |
| 8. | 530012472 | Piston Ring | 28. | 545050409 | Kit - Rope | 51. | 530057973 | Assy-Fuel Cap |
| 9. | 530015162 | Retainer-Piston Pin | 29. | 530055122 | Assy-Clutch | 52. | 530069247 | Kit-Fuel Line (Small) |
| 10. | 530071476 | Kit - Piston (Incl. 8, 9) | 30. | 530094189 | Washer-Clutch | 53. | 530069216 | Kit-Fuel Line (Large) |
| 11. | 530012579 | Assy-Crankshaft | 31. | 545016004 | Assy.-Fan Hsg | 54. | 530095646 | Assy-Fuel Pickup |
| 12. | 530012582 | Assy-Crankcase (Incl. 40,41,42) | 32. | 545054901 | Spring-Starter | 55. | 530071750 | Kit-Engine Gasket (Incl. 7, 13,16,45) |
| 13. | 530071750 | Seal-Cyl/Carb.(kit) | 33. | 545050407 | Kit-Starter Pulley | 56. | 530150247 | Assy-Clutch Drum |
| 14. | 530057547 | Adapter-Carb. | 34. | 545080601 | Baffle | 57. | 545077301 | Assy-Clutch Cover (Incl. 60,61) |
| 15. | 530016309 | Screw | 35. | 530015880 | Screw | 58. | 530016319 | Screw-Align |
| 16. | 530071750 | Gasket-Carb. (kit) | 36. | 530016463 | Washer-Clutch Flat | 59. | 530015772 | Screw |
| 17. | 530071811 | Kit-Carb.(C1U-W19) | 37. | 530039243 | Assy-Flywheel | 60. | 530016381 | Screw 12-24 |
| (Note: Repair kits are not available for this carburetor) | | | 38. | 545102101 | Assy-C'case & C'shaft | 61. | 530016382 | Nut 12-24 |
| 18. | 530059246 | Air Box | 39. | 530015941 | Retain. Ring-C'shaft | 62. | 530015814 | Screw |
| 19. | 530016429 | Screw | 40. | 530055728 | Outer Bearing | Not Shown | | |
| 20. | 530036575 | Foam-Air Filter | 41. | 530019264 | Seal-C'shaft | 530058709 | Bulb-Purge | |
| | | | 42. | 530032125 | Inner Bearing | | | |
| | | | 43. | 545006042 | Kit-piston/rod (Incl. 10,44) | | | |

✓ = NEW PART NUMBER FOR THIS IPL

★ = REFER TO THE SERVICE REFERENCE INDICATED FOR MORE INFORMATION. (LOCATED AT END OF IPL)