

WARNING

All repairs, adjustments and maintenance not described in the Operator's Manual must be performed by qualified service personnel.

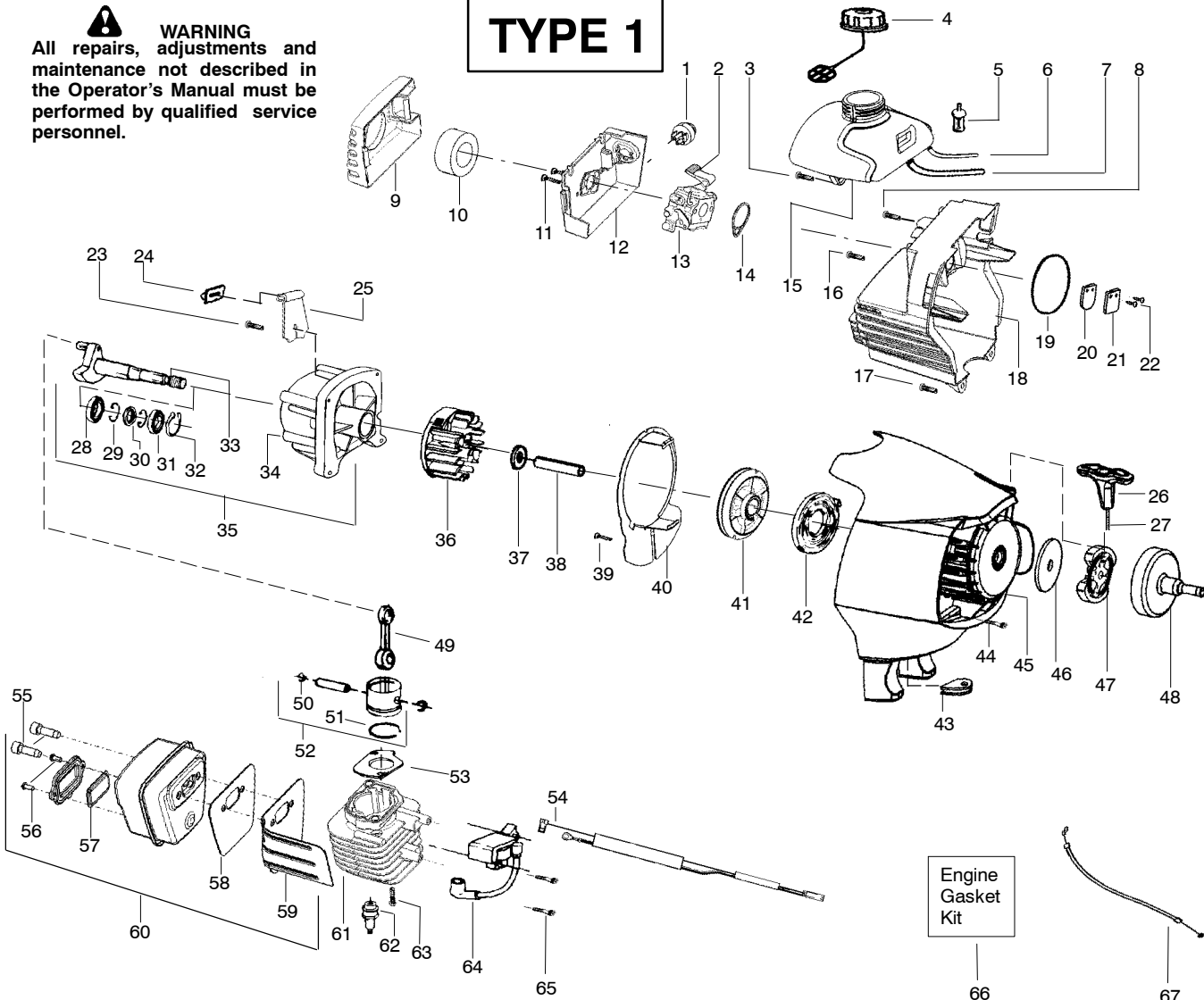
Ref.	Part No.	Description	Ref.	Part No.	Description
1.	530015805	Screw-Alignment	22.	530052285	Line Limiter
2.	530015886	Screw-handle/fan hsg	23.	530015814	Screw-Line Limiter
3.	545018901	Hsg.-Throttle (Right)	24.	530071765	Kit-Shield Ass'y.(Incl. 22,23)
4.	530016473	Spring-Lockout	25.	530015820	Bolt
5.	545017601	Lockout-Throttle	26.	530016014	Screw
6.	530016326	Screw	27.	530015775	Screw
7.	545018701	Hsg.-Throttle (Left)	28.	537419202	Assy-Head TNG 7 (.095 LH 3/8") (Incl. 29,30,31,32,33,34,35)
8.	530069572	Kit-Switch	29.	537419302	Housing
9.	530058843	Assy-Front Wire	30.	537419801	Adapter
10.	545017701	Trigger-Throttle	31.	537338801	Spring
11.	530058583	Assy-Assist Handle (Incl. 12,13)	32.	530096328	Assy-Spool (.095 LH)
12.	530016152	Wingnut	33.	537419701	Eyelet
13.	530015786	Bolt	34.	537419401	Cover
14.	545006022	Kit-Upper Shaft Assy. (incl. flex shaft, coupler & #15)	35.	537419601	Knob
15.	530016344	Screw			Not Shown
16.	545006041	Kit-Lower Shaft Assy.(incl. flex shaft)			
17.	530015197	Nut			
18.	530057554	Bracket-Shield			
19.	530096099	Gearbox			
20..	530056401	Wrench		545123528	Manual-Operator
21.	530096218	Flexshaft		530150142	Decal-Upper Shaft Warning
				530150315	Decal-Lower Shaft Warning

✓ = NEW PART NUMBER FOR THIS IPL

★ = REFER TO THE SERVICE REFERENCE INDICATED FOR MORE INFORMATION. (LOCATED AT END OF IPL)

WARNING
All repairs, adjustments and maintenance not described in the Operator's Manual must be performed by qualified service personnel.

TYPE 1



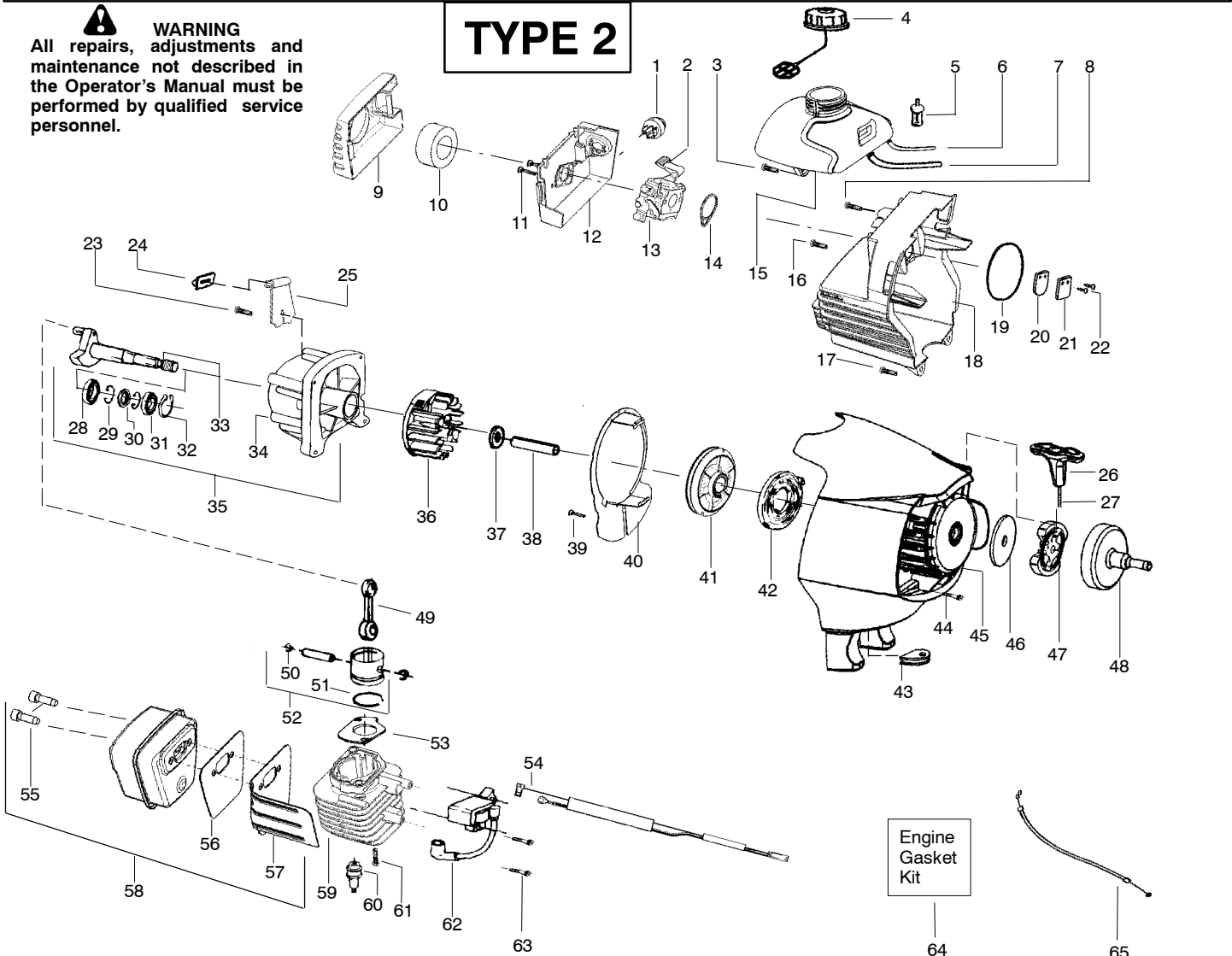
Ref.	Part No.	Description	Ref.	Part No.	Description	Ref.	Part No.	Description
1.	530047721	Bulb-Purge	24.	530055492	Isolator-Tank	47.	530055122	Assy-Clutch
2.	530071717	Kit-Choke Lever	25.	530054941	Ret. - Tank	48.	530150247	Assy-Drum/Adapter
3.	530015843	Screw-tank	26.	530054834	Handle-Starter	49.	530010960	Assy-Conn. Rod
4.	530049386	Cap-Fuel w/ret.	27.	545050410	Kit-Rope	50.	530015162	Ret.-Piston pin
5.	530095646	Assy-Fuel pickup	28.	545081601	Bearing-Inner	51.	530012595	Ring-Piston
6.	530071404	Kit-Fuel line	29.	530015787	Retainer	52.	530072000	Kit-Piston (Incl. 50,51)
7.	530069216	Kit-Fuel/Purge line	30.	530019158	Seal	53.	545030102	Gasket-Cylinder(kit)
8.	530015775	Screw	31.	530032102	Bearing-Outer	54.	530058846	Assy-Leadwire
9.	545000501	Cover-Air box	32.	530015789	Ret.-Crankshaft	55.	530016387	Bolt-Muffler 1/4"-20
10.	545082301	Filter-Air	33.	530028807	Assy-Crankshaft	56.	530015241	Screw
11.	530015849	Screw-Carb.	34.	545081901	Assy-Crankcase (Incl. 28,29,30,31)	57.	545030502	Kit-Spark Arrestor
12.	545000601	Box-Air	35.	545006037	Assy-C'case/C'shaft (Incl. 32,33,34)	58.	545030102	Gasket-Muffler (kit)
13.	545006017	Kit-Carb assy. (C1U-W32)	36.	530055524	Assy-Flywheel	59.	545033201	Shield
(Note: Repair kits are not available for this carburetor)			37.	530016030	Washer	60.	545006048	Kit-Muffler (Incl. 55,56,57,58,59)
14.	545030102	Seal-Carb.(kit)	38.	530055620	Spacer	61.	530012589	Cylinder
15.	545075305	Assy-Fuel Tank	39.	530015775	Screw-Baffle	62.	952030249	Plug-Spark(RCJ-6Y)
16.	530015771	Screw-Crankcase	40.	530054939	Plate-Baffle	63.	530001624	Bolt-Cyl. 1/4"-20
17.	530015952	Screw-Shroud	41.	545050408	Kit-Pulley	64.	530039234	Module-Ignition
18.	545000701	Assy-Rear Shroud	42.	545054901	Spring-Starter	65.	530016357	Screw-Module
19.	545030102	O-ring-Shroud (kit)	43.	530019182	Grommet	66.	545030102	Kit-Gasket/Seal (Incl. 14,19, 53,58)
20.	530027593	Valve-Reed	44.	530015810	Screw-F/hsg.	67.	530058962	Assy-Throttle cable
21.	530029781	Stop-Reed	45.	530055248	Assy-Fan Housing			
22.	530016064	Screw-Reed stop	46.	530094189	Washer-Clutch			
23.	530015875	Screw-Retainer						

✓ = NEW PART NUMBER FOR THIS IPL

* = REFER TO THE SERVICE REFERENCE INDICATED FOR MORE INFORMATION. (LOCATED AT END OF IPL)

WARNING
All repairs, adjustments and maintenance not described in the Operator's Manual must be performed by qualified service personnel.

TYPE 2



Ref.	Part No.	Description	Ref.	Part No.	Description	Ref.	Part No.	Description
1.	530047721	Bulb-Purge	24.	530055492	Isolator-Tank	47.	530055122	Assy-Clutch
2.	530071717	Kit-Choke Lever	25.	530054941	Ret.-Tank	48.	530150247	Assy-Drum/Adapter
3.	530015843	Screw-tank	26.	530054834	Handle-Starter	49.	530010960	Assy-Conn. Rod
4.	530049386	Cap-Fuel w/ret.	27.	545050409	Kit-Rope	50.	530015162	Ret.-Piston pin
5.	530095646	Assy-Fuel pickup	28.	545081601	Bearing-Inner	51.	530012595	Ring-Piston
6.	530071404	Kit-Fuel line	29.	530015787	Retainer	52.	530072000	Kit-Piston (Incl. 50,51)
7.	530069216	Kit-Fuel/Purge line	30.	530019158	Seal	53.	545030102	Gasket-Cylinder(kit)
8.	530015775	Screw	31.	530032102	Bearing-Outer	54.	530058846	Assy-Leadwire
9.	545000501	Cover-Air box	32.	530015789	Ret.-Crankshaft	55.	530016387	Bolt-Muffler 1/4"-20
10.	545082301	Filter-Air	33.	530028807	Assy-Crankshaft	56.	545030102	Gasket-Muffler (kit)
11.	530015849	Screw-Carb.	34.	545081901	Assy-Crankcase (Incl. 28,29,30,31)	57.	545033201	Shield
12.	545000601	Box-Air	35.	545006037	Assy-C'case/C'shaft (Incl. 32,33,34)	58.	545081870	Kit-Muffler (Incl. 55,56,57)
13.	545006017	Kit-Carb assy. (C1U-W32)	36.	530055524	Assy-Flywheel	59.	530012589	Cylinder
(Note: Repair kits are not available for this carburetor)			37.	530016030	Washer	60.	952030249	Plug-Spark(RCJ-6Y)
14.	545030102	Seal-Carb.(kit)	38.	530055620	Spacer	61.	530001624	Bolt-Cyl. 1/4"-20
15.	530055317	Assy-Fuel Tank	39.	530015775	Screw-Baffle	62.	530039234	Module-Ignition
16.	530015771	Screw-Crankcase	40.	545115201	Plate-Baffle	63.	530016357	Screw-Module
17.	530015952	Screw-Shroud	41.	545050408	Kit-Pulley	64.	545030102	Kit-Gasket/Seal (Incl. 14,19, 53,56)
18.	545000701	Assy-Rear Shroud	42.	545054901	Spring-Starter	65.	545026801	Assy-Throttle cable
19.	545030102	O-ring-Shroud (kit)	43.	530019182	Grommet			
20.	530027593	Valve-Reed	44.	530015810	Screw-F/hsg.			
21.	530029781	Stop-Reed	45.	530055248	Assy-Fan Housing			
22.	530016064	Screw-Reed stop	46.	530094189	Washer-Clutch			
23.	530015875	Screw-Retainer						

↗ = NEW PART NUMBER FOR THIS IPL

* = REFER TO THE SERVICE REFERENCE INDICATED FOR MORE INFORMATION. (LOCATED AT END OF IPL)