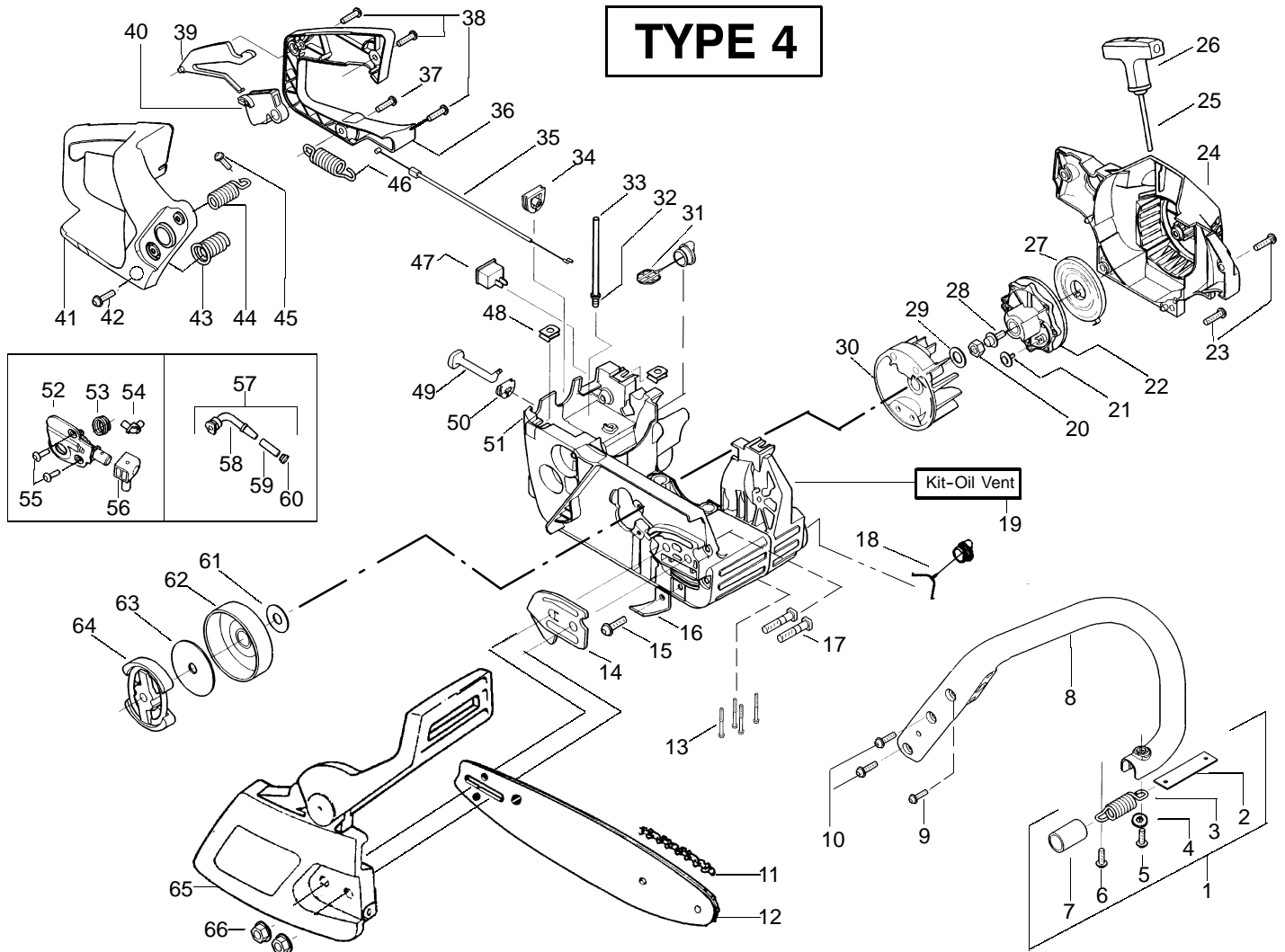


Ref.	Part No.	Description	Ref.	Part No.	Description	Ref.	Part No.	Description
1.	530047963	Assy.—Isolator	22.	530049797	Starter Handle	45.	530071259	Oil Pump Kit (Incls. 45-48)
2.	530047608	Limiter Strap	23.	530027531	Recoil Spring	46.	530037820	Gear—Worm Spring
3.	530042082	Spring—Isolator	24.	530037817	Starter Pulley	47.	530049477	Elbow—Oil Pickup
4.	530015123	Washer	25.	530015920	Screw	48.	530019206	Seal Block
5.	530015814	Screw	26.	530016134	Nut—Flywheel	49.	530016064	Screw
6.	530036142	Sleeve—AV Spring	27.	530015127	Washer—Flywheel	50.	530047663	Oil Pick—up Ass'y (Incl. 51-53)
7.	530047583	Front Handle	28.	530039209	Flywheel Ass'y.	51.	530038373	Pick-up Oiler
8.	530016179	Screw	29.	530016133	Bolt — Bar	52.	530037821	Oil Filter
9.	---	Bar	30.	530047192	Fuel Cap Ass'y.	53.	530030189	Plug—Oil Filter
	530044834	16" Quick Adjust	31.	530015922	Nut — "U"—Type	54.	530069572	Kit — Switch
	530044866	16" Pro Lam Quick Adj.	32.	530023877	Fitting — Fuel Line	55.	530047605	Knob — Choke
10.	952051211	Chain—16"	33.	530069216	Kit—Line purge/tank (large dia.)	56.	530049005	Grommet—Choke knob Assy. — Chassis (incl. 16,29,30,33, and from page two 5,6)
11.	530038238	Plate—Bar Mounting	34.	530047631	Grommet—Cable	57.	530047621	Washer — thrust
12.	530029850	Chain Catcher	35.	530047602	Cable—Throttle	58.	530015907	Clutch drum assy— with bearing
13.	530016132	Screw	36.	530015906	Screw	59.	530047061	Washer — Clutch Assy. Clutch (incl 62)
14.	530026119	Check Valve	37.	530015886	Screw	60.	530015611	Spring — Clutch
15.	530038264	Plug—Bronze Vent	38.	530047581	Cover—Rear Handle	61.	530014949	Kit — Chain Brake
16.	530010846	Oil Cap Ass'y.	39.	530036098	Throttle lockout	62.	530094188	Nut—Bar Mounting
17.	530023817	Spring—Starter Dog	40.	530036097	Screw	63.	530054999	
18.	530016080	Screw	41.	530015875	Screw	64.	530015917	
19.	530015892	Screw	42.	530071385	Isolator Assy. (Upper)			
20.	530049335	Fan Housing	43.	530053274	Isolator Assy. (Lower)			
21.	530069232	Rope Kit	44.	530047582	Rear Handle			

✓ = NEW PART NUMBER FOR THIS IPL

★ = REFER TO THE SERVICE REFERENCE INDICATED FOR MORE INFORMATION. (LOCATED AT END OF IPL)



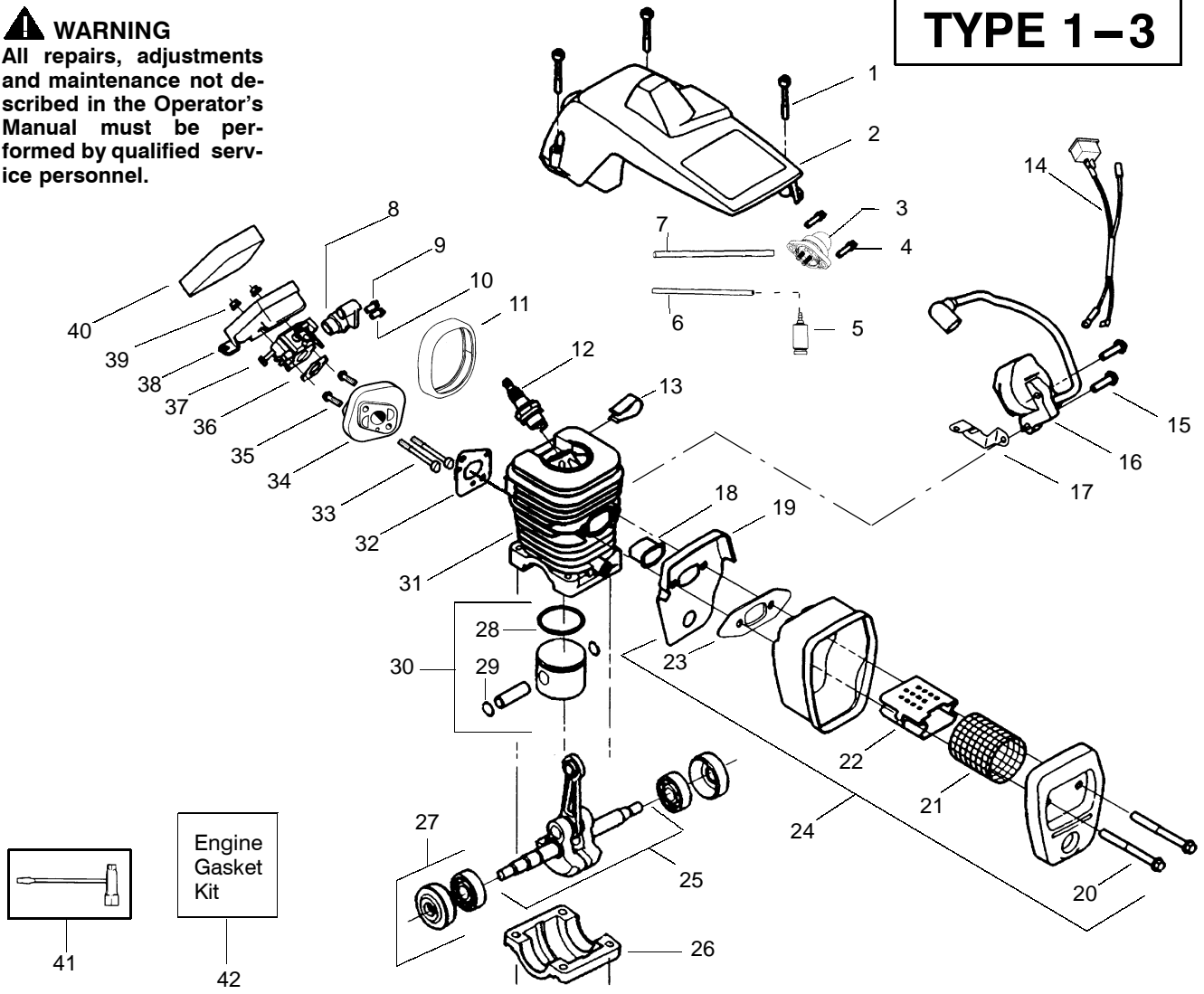
Ref.	Part No.	Description	Ref.	Part No.	Description	Ref.	Part No.	Description
1.	530047963	Assy.-Isolator	24.	530049335	Assy-Fan Housing	48.	530015922	Nut-"U"-Type
2.	530047608	Limiter Strap	25.	530069232	Kit - Rope	49.	530047605	Knob-Choke
3.	530042082	Spring-Isolator	26.	530049797	Handle-Starter	50.	530049005	Grommet-Knob
4.	530015123	Washer	27.	530027531	Spring-Recoil	51.	530056596	Assy-Chassis
5.	530016018	Screw	28.	530015920	Screw	52.	530071259	Kit - Oil Pump
6.	530015843	Screw	29.	530015127	Washer-Flywheel			(incl. 53,54,56)
7.	530036142	Sleeve-AV Spring	30.	530039209	Assy-Flywheel	53.	530037820	Gear-Worm Spring
8.	530047583	Handle-Front	31.	530047192	Assy-Fuel Cap	54.	530049477	Elbow-Oil Pickup
9.	530015940	Screw	32.	530023877	Fitting-fuel line	55.	530016064	Screw
10.	530015814	Screw	33.	530069216	Kit-Fuel line (large)	56.	530019206	Seal Block
11.	952051211	Chain-16"	34.	530047631	Grommet-Cable	57.	530047663	Assy-Oil Pickup
12.	530044864	Bar-16" Quick Adjust	35.	530047602	Cable-Throttle			(Incl. 58-60)
13.	530016132	Screw	36.	530047581	Cover-Rear Handle	58.	530038373	Pickup-Oiler
14.	530038238	Plate-Bar Mounting	37.	530015886	Screw	59.	530037821	Filter-Oil
15.	530015814	Screw	38.	530015906	Screw	60.	530030189	Plug-Oil Filter
16.	530029850	Chain Catcher	39.	530036098	Throttle Lockout	61.	530015907	Washer-Thrust
17.	530016133	Bolt-Bar	40.	530036097	Trigger-Throttle	62.	530047061	Assy.-Clutch Drum
18.	530010846	Assy-Oil Cap	41.	530047582	Handle - Rear			w/bearing
19.	530071666	Kit-Oil Check Valve	42.	530015814	Screw	63.	530015611	Washer-Clutch
20.	530016134	Nut-Flywheel	43.	530053274	Assy. Isolator - lower	64.	530014949	Assy. Clutch
21.	530016080	Screw	44.	530071385	Kit-Isolator (Upper)	65.	530054999	Assy-Chain Brake
22.	530037817	Starter Pulley	45.	530015875	Screw	66.	530015917	Nut-Bar Mounting
23.	530015892	Screw	46.	530042082	Spring-Isolator			
			47.	530069572	Kit-Switch			

✓ = NEW PART NUMBER FOR THIS IPL

★ = REFER TO THE SERVICE REFERENCE INDICATED FOR MORE INFORMATION. (LOCATED AT END OF IPL)

⚠ WARNING
All repairs, adjustments and maintenance not described in the Operator's Manual must be performed by qualified service personnel.

TYPE 1-3

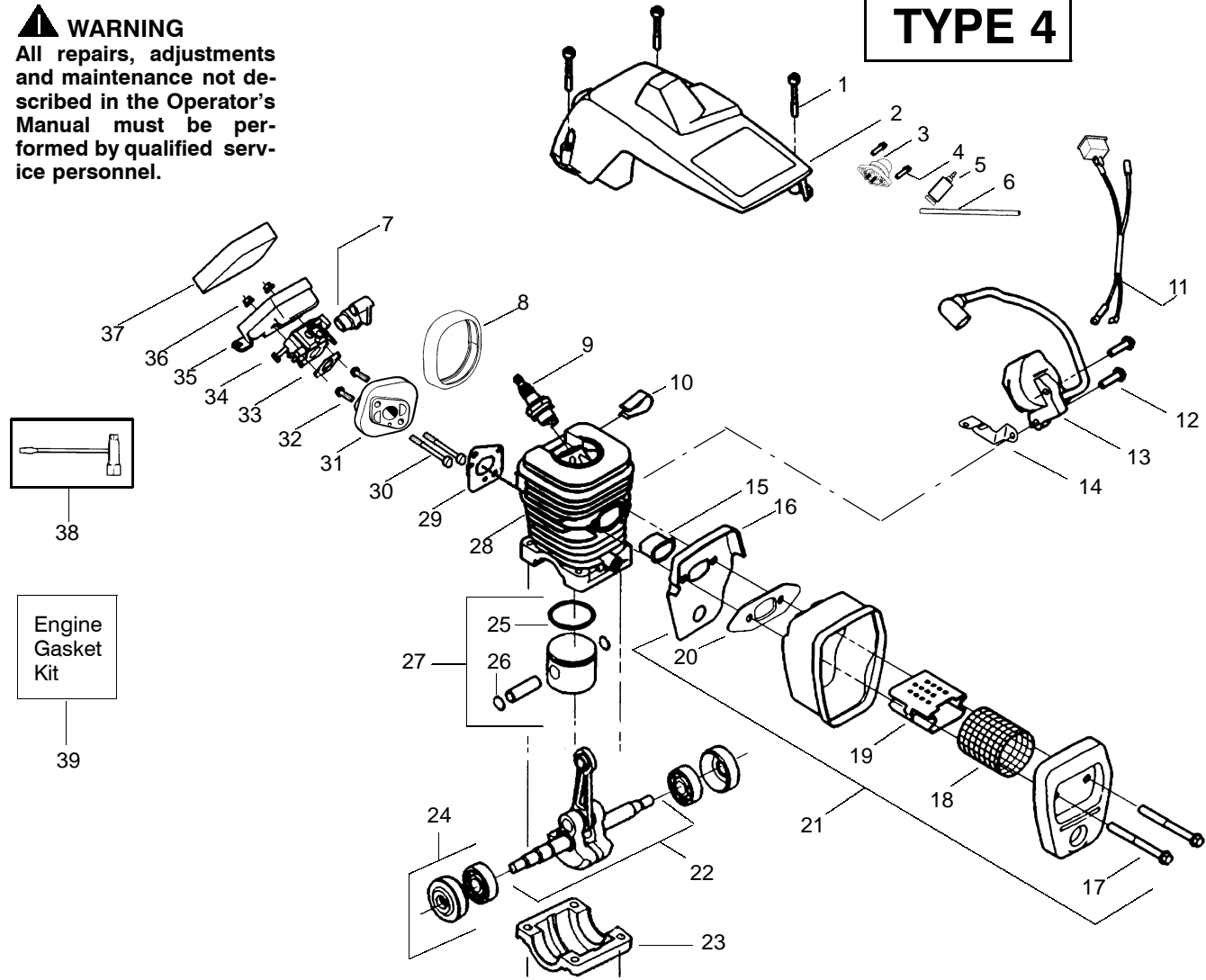


Ref.	Part No.	Description	Ref.	Part No.	Description	Ref.	Part No.	Description
1.	530016153	Screw	17.	530047442	Ground Strap	36.	530019239	Carb. Gasket
2.	530053183	Cylinder Shield	18.	530037652	Heat Insulator	37.	530069722	Carburetor Kit (incl. 9 & 10)
3.	530047213	Air Purge Ass'y.	19.	530049870	Muffler Back Plate	38.	530047604	Air Filter Housing
4.	530015780	Screw	20.	530016132	Screw	39.	530016101	Nut - Carb. Screw
5.	530095646	Fuel Pick-up Ass'y.	21.	530036103	Spark Screen	40.	530037793	Air Filter - Foam
6.	530069247	Kit-Line Purge/Carb. (Small Dia)	22.	530037813	Muffler Diffuser	41.	530031135	Scrench
7.	530069216	Kit-Line Purge/Tank (large line)	23.	530019221	Muffler Gasket	42.	530069608	Engine Gasket Kit (incl. 36,32,23)
8.	530049244	Grommet-Carb Adjust.	24.	530047207	Muffler Ass'y. (Incl. 19,20, 21,22,23)			
9.	530038479	Limiter Cap-High	25.	530047062	Crankshaft Assy.			
10.	530038478	Limiter Cap-Low	26.	530037935	Cap-Crankcase			
11.	*****	Seal-Carb Adapter	27.	530056363	Seal & Bearing Assy.	Not Shown		
12.	952030150	Spark Plug (RCJ-7Y)	28.	530038729	Piston Ring			
13.	530016136	Clip-High Tension Lead	29.	530015697	Retainer - Piston Pin		530088313	Operator Manual
14.	530049117	Wire Harness Ass'y. (includes switch)	30.	530069719	Piston Kit - (incl. 28-29)		530038257	Instruction Decal
15.	530015814	Screw	31.	530069720	Cylinder Kit			
16.	530039198	Ignition Module	32.	530019249	Gasket - Carb. Adapter			
			33.	530016187	Screw			
			34.	530069964	Carb. Adapter Kit (incl. 11,2,36,32)			
			35.	530016386	Screw			

⚡ = NEW PART NUMBER FOR THIS IPL ★ = REFER TO THE SERVICE REFERENCE INDICATED FOR MORE INFORMATION. (LOCATED AT END OF IPL)

⚠ WARNING
All repairs, adjustments and maintenance not described in the Operator's Manual must be performed by qualified service personnel.

TYPE 4

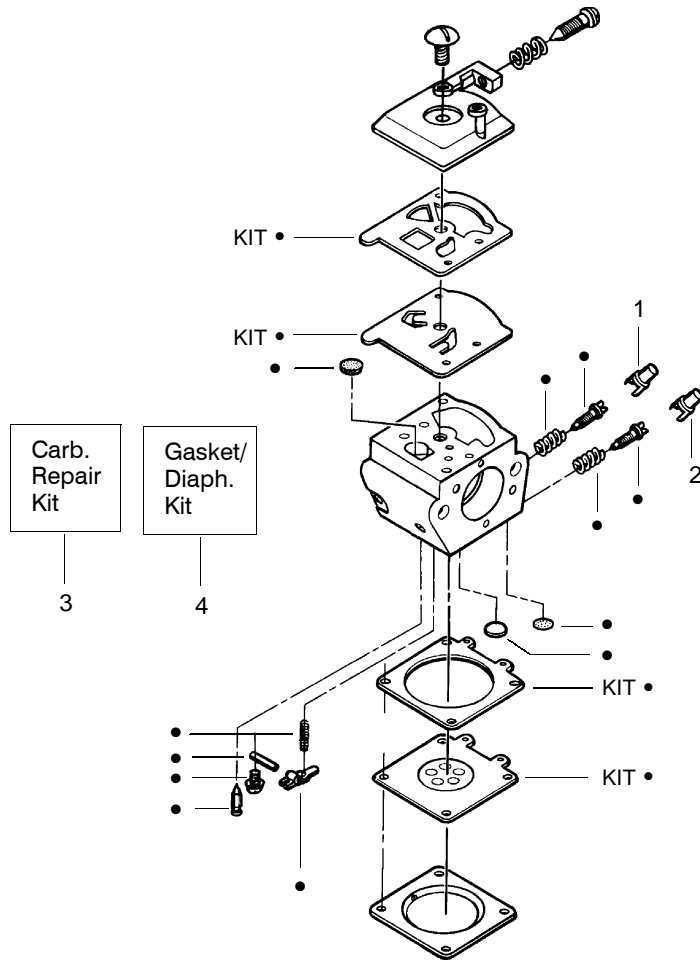


Ref.	Part No.	Description	Ref.	Part No.	Description	Ref.	Part No.	Description
1.	530016153	Screw	16.	530049870	Plate-Muffler Back	33.	530019239	Carb. Gasket
2.	530071310	Shield-Cylinder	17.	530016132	Screw	34.	530071621	Kit-Carburetor (WT-625)
3.	530047213	Assy-Air Purge	18.	530036103	Screen-Spark	35.	530047604	Housing-Air Filter
4.	530015780	Screw	19.	530037813	Muffler Diffuser	36.	530016101	Nut
5.	530095646	Assy-Fuel Pick-up	20.	530019221	Muffler Gasket	37.	530037793	Air Filter - Foam
6.	530069247	Kit-Line Purge/Carb. (Small Dia)	21.	530047207	Muffler Ass'y. (Incl. 16-20)	38.	530031135	Scrench
7.	530035526	Grommet-Carb Adjust.	22.	530047062	Assy-Crankshaft	39.	530069608	Kit-Engine Gasket (incl. 20,29,33)
8.	530054144	Seal-Carb Adapter	23.	530037935	Cap-Crankcase			
9.	952030150	Spark Plug (RCJ-7Y)	24.	530056363	Assy-Seal & Bearing			
10.	530016136	Clip-High Tension Lead	25.	530038729	Ring-Piston			
11.	530049117	Assy-Wire Harness (includes switch)	26.	530015697	Retainer - Piston Pin			
12.	530015814	Screw	27.	530069719	Kit-Piston - (incl. 25,26)			
13.	530039167	Module-Ignition	28.	530071411	Kit-Cylinder			
14.	530047442	Strap-Ground	29.	530019249	Gasket - Carb. Adapter		Not Shown	
15.	530037652	Insulator-Heat	30.	530016187	Screw		530163654	Operator Manual
			31.	530049700	Adapter-Carb.		530057267	Instruction Decal
			32.	530016386	Screw			

↗ = NEW PART NUMBER FOR THIS IPL

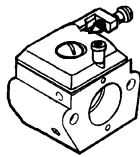
★ = REFER TO THE SERVICE REFERENCE INDICATED FOR MORE INFORMATION. (LOCATED AT END OF IPL)

Carburetor Assembly - #530069722-WT391



Ref.	Part No.	Description
1.	530038479	Limiter Cap-High (brown)
2.	530038478	Limiter Cap-Low (tan)
3.	530069826	Carburetor Repair Kit (● Indicates Contents)
4.	530069844	Gasket/Diaphragm Kit (KIT=Indicates Contents)

Kit - Carburetor Assembly No. 530071621 - WALBRO WT-625

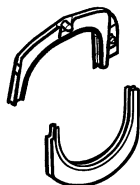


Note: No Repair kits are available for this carburetor, please order the complete assembly part number 530-071621 - WT-625

★★★★★ **Service Reference** ★★★★★

Note: Your chain saw may have either a one or two piece seal. Please note the two piece seal is no longer available, and you will need to order the one piece seal as a replacement.

Two Piece Seal



If your saw has the one or two piece seal, order the **530054144** seal.

One Piece Seal

