

PNC	Type/Prefix/ML	Model	Brand
953900712	02	6120	POULAN PRO

Number of Pages 1 of 7

Factory: IIQ - Valmadrera	Product Group: OP 93	
Publication Number: NIPL2006_V060000001	Petrol Portable	
Publication Date: 06/02/006	Sub Group 9430	

FIGURE 1

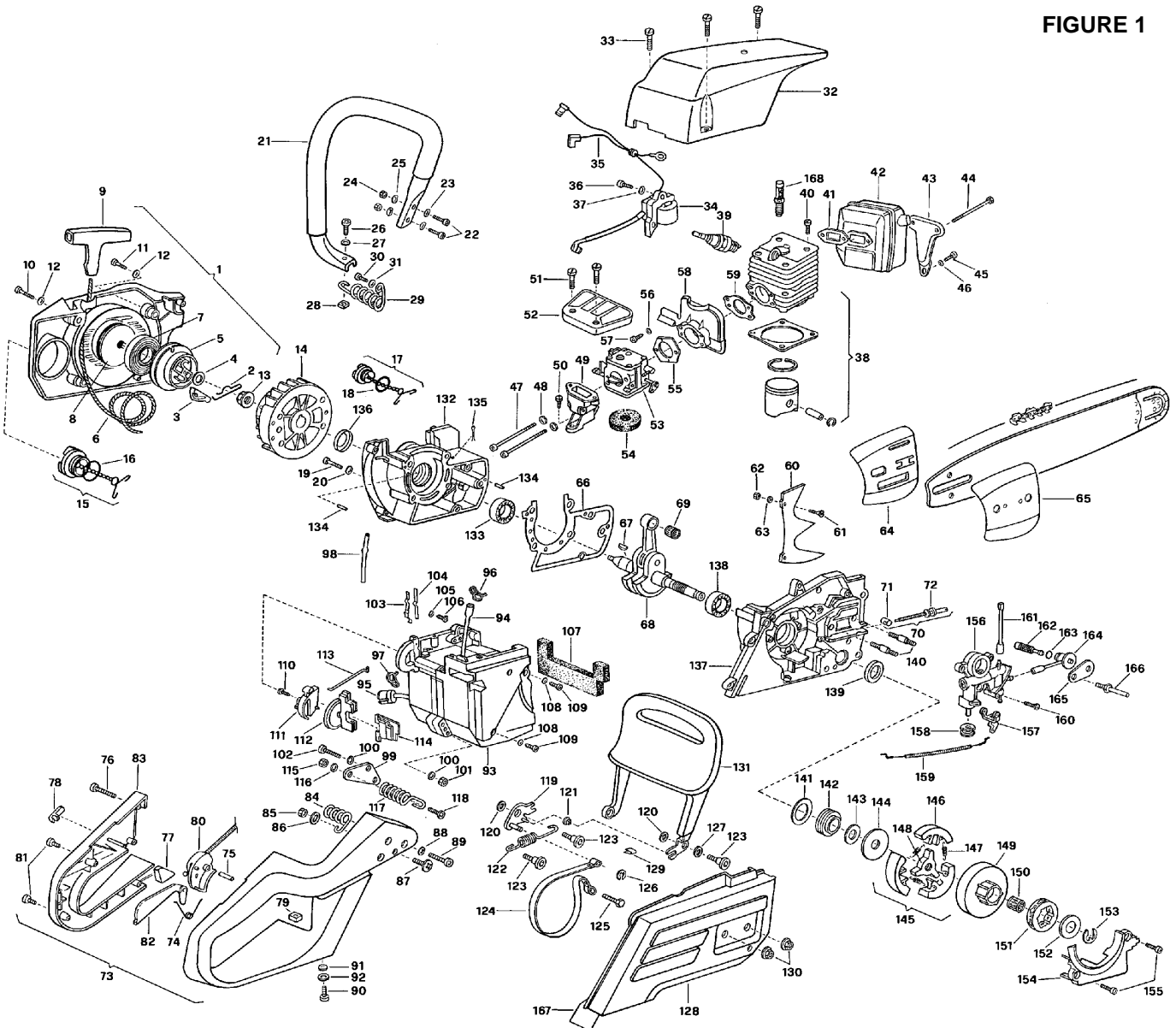


FIGURE 3

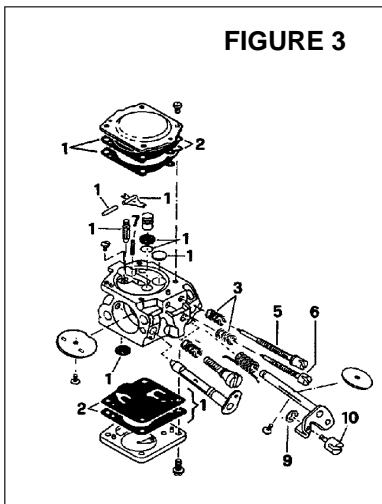
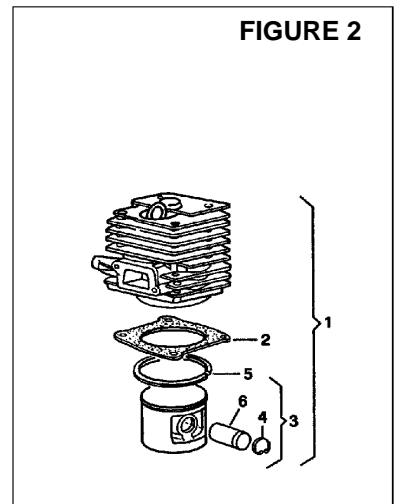


FIGURE 2



Item	P/N McC	P/N ELX	Qty	DESCRIPTION
FIGURE 1				
C 1	242545	538242545	1	
B 2 •	240485	538240485	1	
B 3 •	240484	538240484	1	
4 •	227470	538227470	1	
C 5 •	227468	538227468	1	
A 6 •	227471	538227471	1	
C 7 •	227300	538227300	1	
8 •	227467	538227467	1	
9 •	240884	538240884	1	
10	235530	538235530	2	M5x35
11	235803	538235803	2	M5x25
12	227626	538227626	4	
13	227762	538227762	1	
14	241312	538241312	1	
B 15	227508	538227508	1	
C 16 •	227420	538227420	1	
B 17	227507	538227507	1	
C 18 •	227459	538227459	1	
19	235806	538235806	7	M5x20
20	227626	538227626	7	
21	241352	538241352	1	
22	235806	538235806	2	M5x20
23	227629	538227629	2	
24	235642	538235642	2	
25	227629	538227629	2	
26	227563	538227563	1	M5x16
27	235248	538235248	1	
28	229524	538229524	1	
C 29	241356	538241356	1	
30	227563	538227563	1	M5x16
31	227259	538227259	1	
32	242544	538242544	1	
33	227458	538227458	3	M5x21
C 34	241501	538241501	1	
35 •	241470	538241470	1	
36	235806	538235806	2	M5x20
37	227626	538227626	2	
C 38	FIGURE 2			
A 39	240010	538240010	1	
40	227565	538227565	4	M5x25
C 41	227483	538227483	1	
C 42	240649	538240649	1	
43	227491	538227491	1	
44	227567	538227567	2	M5x70
45	236381	538236381	1	M5x10
46	227626	538227626	1	
47	227566	538227566	2	M5x65
48	227629	538227629	2	
49	227316	538227316	1	
50	235802	538235802	1	M5x14
51	227458	538227458	2	M5x21
B 52	227561	538227561	1	
C 53	FIGURE 3			
54	227424	538227424	1	
A 55	227417	538227417	1	
56	227629	538227629	2	

Item	P/N McC	P/N ELX	Qty	DESCRIPTION
57	235803	538235803	2	M5x25
C 58	240114	538240114	1	
C 59	227395	538227395	1	
C 60	227371	538227371	1	
61	227616	538227616	2	M5x16
62	235642	538235642	2	
63	227626	538227626	2	
C 64	227368	538227368	1	
C 65	227369	538227369	1	
C 66	227391	538227391	1	
C 67	227631	538227631	1	
68	241300	538241300	1	
C 69	227335	538227335	1	
A 70	227516	538227516	1	
B 71	227366	538227366	1	
B 72	227365	538227365	1	
C 73	241354	538241354	1	
74 •	227443	538227443	1	
75 •	227445	538227445	1	
76 •	227801	538227801	1	M4x75
77 •	227904	538227904	1	
78 •	240683	538240683	1	
79 •	229524	538229524	1	
C 80 •	240119	538240119	1	
81 •	240862	538240862	3	
82 •	241471	538241471	1	
C 83 •	241473	538241473	1	
C 84	241357	538241357	1	
85	235642	538235642	1	
86	227259	538227259	1	
87	241147	538241147	1	M5x16
88	236936	538236936	1	
89	236933	538236933	1	M6x18
90	240845	538240845	1	M5x16
91	241474	538241474	1	
92	227259	538227259	1	
93	241308	538241308	1	
B 94 •	227406	538227406	1	
A 95 •	241205	538241205	1	
96 •	227408	538227408	1	
97 •	227409	538227409	1	
C 98 •	227411	538227411	1	
99 •	227676	538227676	1	
100	227626	538227626	4	
101 •	235642	538235642	2	
102 •	235530	538235530	2	M5x35
C 103 •	241468	538241468	1	
C 104 •	241467	538241467	1	
105 •	241469	538241469	1	
106 •	240863	538240863	1	
107	241572	538241572	1	
108	227626	538227626	2	
109	235802	538235802	2	M5x14
110	240863	538240863	1	
C 111	241464	538241464	1	
C 112	241465	538241465	1	
113	241466	538241466	1	
114	241479	538241479	1	

A=ALTA ROTAZIONE
B=MEDIA ROTAZIONE
C=ALTA ROTAZIONE

A=HIGH MOVING
B=MEDIUM MOVING
C=SLOW MOVING

A=HAUTE DEMANDE
B=MOYENNE DEMANDE
C=BASSE DEMANDE

A=GROBE NACHFRAGE
B=MITTELMAESSIGE
C=WENIGE NACHFRAGE

NUOVI CODICI

NEW P. NUMBERS

NOUVELLES REFERENCES

NEU CODEX

Item	P/N McC	P/N ELX	Qty	DESCRIPTION
FIGURE 1				
115	235642	538235642	1	
116	227626	538227626	1	
C 117	227681	538227681	1	
118	235803	538235803	1	M5x25
119	241487	538241487	1	
120	241505	538241505	2	
121	241484	538241484	1	
122	241485	538241485	1	
123	229510	538229510	3	
C 124	241319	538241319	1	
125	240314	538240314	1	M6x16
126	227504	538227504	1	
127	235225	538235225	1	
C 128	241350	538241350	1	
129	229514	538229514	1	
A 130	227762	538227762	2	
131	241317	538241317	1	
132	248166	538248166	1	
133 •	229450	538229450	1	
134 •	227497	538227497	2	
135 •	236728	538236728	1	
C 136 •	227499	538227499	1	
137	248167	538248167	1	
138 •	229450	538229450	1	
C 139 •	241307	538241307	1	
C 140 •	227370	538227370	2	
141	241339	538241339	1	
C 142	241344	538241344	1	
143	241345	538241345	1	
144	241346	538241346	1	
C 145	241347	538241347	1	
146 •	227359	538227359	3	
B 147 •	227360	538227360	3	
148 •	241348	538241348	1	
C 149	227546	538227546	1	
C 150	227329	538227329	1	
B 151	227547	538227547	1	
152	229519	538229519	1	
153	241349	538241349	1	
154	241343	538241343	1	
155	228908	538228908	2	M4x14
C 156	241320	538241320	1	
C 157 •	241332	538241332	1	
C 158	227383	538227383	1	
C 159	241342	538241342	1	
160	228908	538228908	3	M4x14
C 161	241340	538241340	1	
C 162	227464	538227464	1	
C 163 •	227527	538227527	1	
C 164	241341	538241341	1	
165	240309	538240309	1	
166	240363	538240363	1	
167	227943	538227943	1	
168	94273	538094273	1	

Item	P/N McC	P/N ELX	Qty	DESCRIPTION
FIGURE 2				
C 1	248766	538248766	1	
B 2 •	227393	538227393	1	
C 3 •	227511	538227511	1	
4 ••	229544	538229544	2	
B 5 ••	227544	538227544	1	
6 ••	227344	538227344	1	

Item	P/N McC	P/N ELX	Qty	DESCRIPTION
FIGURE 3				
C -	241311	538241311	1	
B 1 •	229925	538229925	1	
A 2 ••	237211	538237211	1	
3 •	229927	538229927	2	
5 •	237202	538237202	1	L
6 •	229930	538229930	1	H
C 7 •	237203	538237203	1	
9 •	240219	538240219	1	
10 •	240218	538240218	1	

A=ALTA ROTAZIONE
 B=MEDIA ROTAZIONE
 C=ALTA ROTAZIONE

A=HIGH MOVING
 B=MEDIUM MOVING
 C=SLOW MOVING

A=HAUTE DEMANDE
 B=MOYENNE DEMANDE
 C=BASSE DEMANDE

A=GROBE NACHFRAGE
 B=MITTELMAESSIGE
 C=WENIGE NACHFRAGE

NUOVI CODICI

NEW P. NUMBERS

NOUVELLES REFERENCES

NEU CODEX