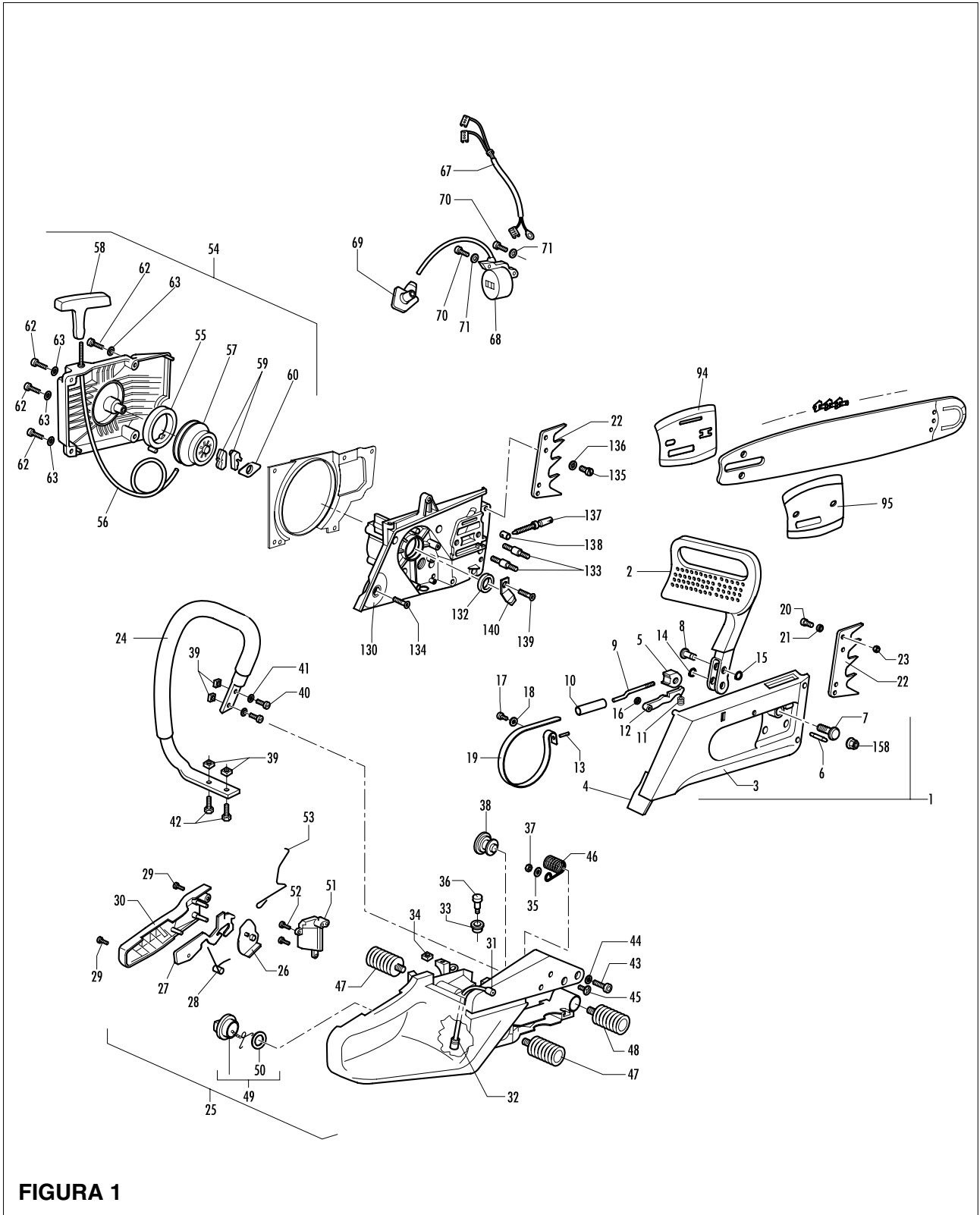


brand	<b>POULAN</b>
-------	---------------

date	FEB/03	SHEET 1/4
------	--------	-----------

Model	Prefix
<b>POULAN PRO 720</b>	01

Product number
<b>953900372</b>



**FIGURA 1**

brand	<b>POULAN</b>
-------	---------------

date	FEB/03	SHEET 2/4
------	--------	-----------

Model	Prefix
<b>POULAN PRO 720</b>	01

Product number
<b>953900372</b>

**FIGURA 1**

pos	P/N McC	P/N ELX	Q.ty	DESCRIPTION	pos	P/N McC	P/N ELX	Q.ty	DESCRIPTION
C 1	240056	538240056	1	CLUTCH COVER ASSY	44	236936	538236936	1	∅.6X11X1,6 WASHER
2	● 227941	538227941	1	T 72 BRAKE LEVER	45	241147	538241147	1	M5 X 16 SCREW
3	● 241196	538241196	1	CLUTCH COVER	C 46	241148	538241148	1	SPRING
4	● 227943	538227943	1	GUARD	C 47	241207	538241207	2	SPRING
5	● 227349	538227349	1	BRAKE NUT	C 48	241208	538241208	1	SPRING
6	● 227350	538227350	1	PIN	B 49	227508	538227508	1	FUEL CAP ASSY
7	● 227351	538227351	1	BRAKE LEVER PIN	C 50	● 227420	538227420	1	FUEL CAP SEAL
8	● 227352	538227352	1	PIN	51	227969	538227969	1	SCREWDRIVER GUIDE
9	● 227353	538227353	1	ROD	52	227983	538227983	2	3,5X12 SCREW
10	● 240929	538240929	1	RETAINING SPRING	C 53	227994	538227994	1	GAS LEVER
11	● 240690	538240690	1	T 51 BRAKE SPRING	C 54	240058	538240058	1	STARTER ASSY
12	● 227521	538227521	1	2.9X19 SCREW	C 55	● 240639	538240639	1	STARTER SPRING
13	● 227523	538227523	1	PIN	A 56	● 229608	538229608	1	STARTER CORD
14	● 227524	538227524	1	SEEGER	C 57	● 240638	538240638	1	STARTER PULLEY
15	● 235367	538235367	1	BENZING D.4	58	● 240884	538240884	1	STARTER HANDLE
16	● 235811	538235811	1	BENZING D.3,2	B 59	● 241083	538241083	2	STARTER PAWL
17	● 229791	538229791	1	4,2X9,5mm SCREW	C 60	● 241157	538241157	1	SHIELD
18	● 235612	538235612	1	∅ 4X9X0,8 WASHER	62	229712	538229712	4	M5X16 SCREW
C 19	● 227942	538227942	1	STRAP	63	235248	538235248	4	∅.5X10X1 WASHER
20	235207	538235207	2	M5X14 SCREW	C 67	241214	538241214	1	WIRE ASSY
21	227626	538227626	2	D.5 DIN 137A WASHER	C 68	240062	538240062	1	IGNITION MODULE
C 22	241169	538241169	2	SPIKE	C 69	● 227005	538227005	1	CAP PLUG
23	229208	538229208	2	M5 NUT	70	235806	538235806	2	M5X20 SCREW
24	227992	538227992	1	HANDLE ASSY	71	235248	538235248	2	D.5X10X1 WASHER
C 25	240059	538240059	1	HANDLE ASSY - REAR	C 94	227979	538227979	1	PLATE BAR MOUNTING
C 26	● 227441	538227441	1	GAS TRIGGER	C 95	227980	538227980	1	SPACER
C 27	● 227442	538227442	1	SAFETY TRIGGER	130	247895	538247895	1	CLUTCH CRANKCASE
28	● 227443	538227442	1	TRIGGER SPRING	C 132	● 229451	538229451	1	17X28X4,5/5 RING
29	● 227619	538227619	2	M4X16 SCREW	C 133	● 227370	538227370	2	STUD BOLT
30	● 227968	538227968	1	TRIGGER COVER	134	241146	538241146	1	M6X20 SCREW
B 31	● 227406	538227406	1	FUEL TUBE	135	235239	538235239	2	M5X20 SCREW
A 32	● 241205	538241205	1	PICK UP FUEL	136	227626	538227626	2	D.5 DIN 137A WASHER
C 33	● 236321	538236321	1	TANK GROMMET	A 137	227997	538227997	1	CHAIN TENSIONER SCREW
34	229524	538229524	2	BOLT M5 10X10X5	A 138	227366	538227366	1	CHAIN TENSIONER NUT
35	227259	538227259	1	D.5X15X1,6 WASHER	139	241146	538241146	1	M6X20 SCREW
C 36	● 227582	538227582	1	VENT FILTER	140	227990	538227990	1	CHAIN CATCHER
37	229208	538229208	1	M5 NUT	A 158	227762	538227762	2	M8 NUT
C 38	● 229981	538229981	1	AV ASSY					
39	229524	538229524	4	M5 10X10X5 NUT					
40	235802	538235802	2	M5 X 14 SCREW					
41	235248	538235248	2	∅.5X10X1 WASHER					
42	229561	538229561	2	M5 X 16 SCREW					
43	236933	538236933	1	M6X18 SCREW					

A= ALTA ROTAZIONE  
B=MEDIA ROTAZIONE  
C=BASSA ROTAZIONE

A=HIGH MOVING  
B=MEDIUM MOVING  
C=SLOW MOVING

A=HAUTE DEMANDE  
B=MOYENNE DEMANDE  
C=BASSE DEMANDE

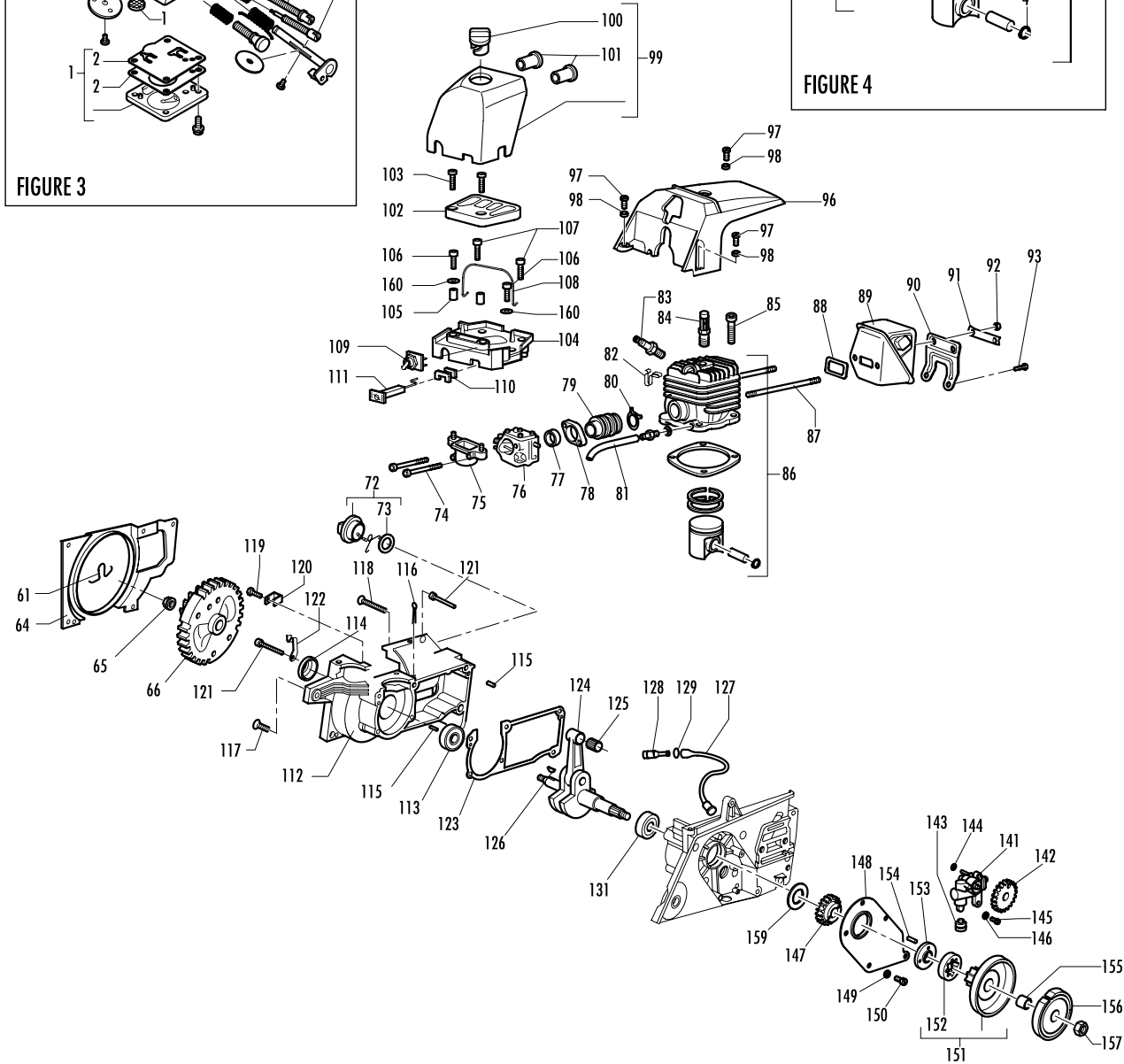
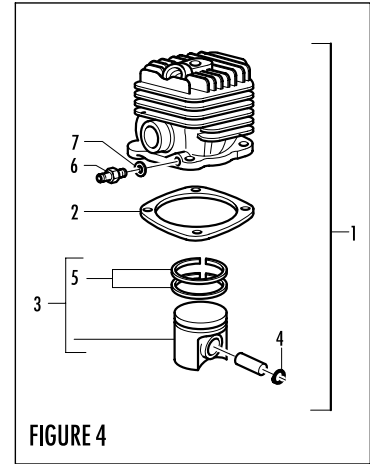
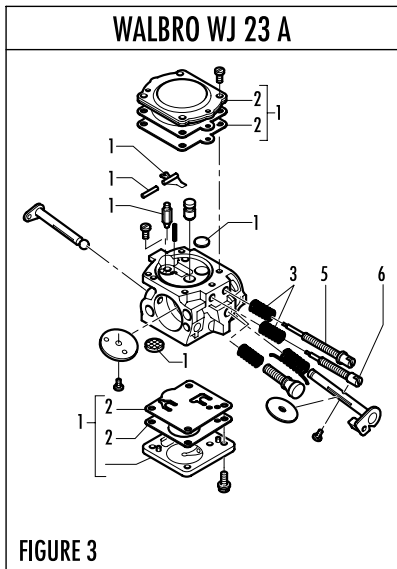
A=GROBE NACHFRAGE  
B=MITTELMÄßIGE  
C=WENIGE NACHFRAGE

brand	<b>POULAN</b>
-------	---------------

date	FEB/03	SHEET 3/4
------	--------	-----------

Model	Prefix
<b>POULAN PRO 720</b>	01

Product number
<b>953900372</b>



brand	<b>POULAN</b>
-------	---------------

date	FEB/03	SHEET 4/4
------	--------	-----------

Model	Prefix
<b>POULAN PRO 720</b>	<b>01</b>

Product number
<b>953900372</b>

**FIGURA 2**

pos	P/N McC	P/N ELX	Q.ty	DESCRIPTION
B 61	● 241156	538241156	1	PRESSURE SPRING
64	227958	538227958	1	AIR CONVEYOR
65	227762	538227762	1	M8 NUT
66	227976	538227976	1	FLYWHEEL
B 72	227507	538227507	1	OIL CAP ASSY
C 73	● 227459	538227459	1	OIL CAP SEAL
74	229399	538229399	2	M5X70 SCREW
75	227965	538227965	1	MANIFOLD
C 76	FIGURE 4			
77	229397	538229397	1	FLANGE
78	229396	538229396	1	SUCTION FLANGE
C 79	229017	538229017	1	SUCTION TUBE
80	229395	538229395	1	CLAMP
C 81	229718	538229718	1	BRANCH PIPE
82	218865	538218865	1	CLIP
A 83	92878	538092878	1	RD J6J SPARK PLUG
84	94273	538094273	1	DECOMPRESSOR
85	235214	538235214	4	M4X20 SCREW
C 86	FIGURE 3			
87	227057	538227057	2	STUD BOLT
C 88	229502	538229502	1	MUFFLER GASKET
C 89	241257	538241257	1	MUFFLER ASSY
90	229501	538229501	1	MUFFLER HOLDER
91	227275	538227275	1	SHIELD
92	235216	538235216	2	M5 NUT
93	229563	538229563	2	M5X10 SCREW
96	242548	538242548	1	ENGINE COVER ASSY
97	229712	538229712	3	M5X16 SCREW
98	235248	538235248	3	ø.5X10X1 WASHER
99	242550	538242550	1	<b>AIR FILTER ASSY</b>
100	● 241089	538241089	1	AIR FILTER
101	● 229525	538229525	2	RELEASE LEVER
B 102	227561	538227561	1	SUCTION HOSE
103	227458	538227458	2	AIR FILTER
104	247877	538247877	1	M5X21 MODIFIED SCREW
105	227971	538227971	2	AIR FILTER BOX ASSY
106	227563	538227563	2	BUSHING
107	235205	538235205	2	M5X16 SCREW
108	241090	538241090	1	4.2X19 SCREW
C 109	237575	538237575	1	FILTER COVER
110	229380	538229380	1	BRACKET
C 111	229377	538229377	1	IGNITION SWITCH
112	247894	538247894	1	DUST SHIELD
113	● 229449	538229449	1	AIR LEVER ASSY
C 114	● 229452	538229452	1	FLYWHEEL
115	● 235221	538235221	2	CRANKCASE ASSY
116	● 236728	538236728	2	15X35X11 (6202) BEARING
117	241146	538241146	1	15X26X4/4,5 RING
118	241145	538241145	1	D.4X16 PIN
				COTTER PIN
				M6X20 SCREW
				M6X45 MODIFIED SCREW

A= ALTA ROTAZIONE  
B=MEDIA ROTAZIONE  
C=BASSA ROTAZIONE

A=HIGH MOVING  
B=MEDIUM MOVING  
C=SLOW MOVING

A=HAUTE DEMANDE  
B=MOYENNE DEMANDE  
C=BASSE DEMANDE

A=GROBE NACHFRAGE  
B=MITTELMAEBIGE  
C=WENIGE NACHFRAGE

pos	P/N McC	P/N ELX	Q.ty	DESCRIPTION
119	228956	538228956	1	M4X10 SCREW
120	229560	538229560	1	CLAMP
121	235530	538235530	6	M5 X 35 SCREW
122	229559	538229559	2	CLAMP
C 123	227975	538227975	1	CRANKCASE SEAL
124	240060	538240060	1	ENGINE SHAFT ASSY
C 125	● 229453	538229453	1	12X16X16 NEEDLE BEARINGS
C 126	227631	538227631	1	KEY
C 127	227461	538227461	1	OIL TUBE
C 128	227464	538227464	1	OIL FILTER ASSY
C 129	● 227527	538227527	1	2021 OR RING
131	● 229450	538229450	1	17X40X12 (6203) BEARING
C 141	227530	538227530	1	OIL PUMP ASSY
C 142	● 227385	538227385	1	DRIVEN GEAR
C 143	227383	538227383	1	OIL PUMP ADJUSTER
C 144	235432	538235432	1	2018 OR RING
145	229861	538229861	2	M4X14 SCREW
146	227630	538227630	2	D.4 SCHNORR WASHER
C 147	227387	538227387	1	DRIVE GEAR
148	227970	538227970	1	OIL PUMP COVER
149	227627	538227627	5	D.4 DIN 137A WASHER
150	227611	538227611	5	M4X12 SCREW
C 151	240054	538240054	1	CLUTCH DRUM ASSY
B 152	● 227547	538227547	1	PINION
153	● 227389	538227389	1	SPACER
154	● 227548	538227548	1	2,5X14 PIN
C 155	227329	538227329	1	NEEDLE BEARINGS
C 156	240055	538240055	1	CLUTCH ASSY
157	241247	538241247	1	M10 NUT
159	227388	538227388	1	SPACER
160	235248	538235248	2	D.5X10X1 WASHER

**FIGURA 3**

pos	P/N McC	P/N ELX	Q.ty	DESCRIPTION
70cc				
C 1	247893	538247893	1	CYLINDER/PISTON KIT
B 2	● 227974	538227974	1	CYLINDER GASKET
C 3	● 229543	538229543	1	PISTON KIT
4	● 229544	538229544	2	RETAINING RING
B 5	● 229070	538229070	2	PISTON RING
C 6	● 229515	538229515	1	PULSE HOSE ø.5X10X1
C 7	● 227634	538227634	1	ALLUMINIUM WASHER

**FIGURA 4**

pos	P/N McC	P/N ELX	Q.ty	DESCRIPTION
WALBRO WJ 23 A				
C -	229400	538229400	1	WJ23 CARBURETTOR
B 1	● 229925	538229925	1	MAJOR REPAIR KIT CARB. WJ23
A 2	● 237211	538237211	1	GASKET+DIAPH JW11 KIT
3	● 229927	538229927	2	SPRING NEEDLE
4	● 229928	538229928	1	IDLE KIT WJ23
5	● 229929	538229929	1	IDLE L WJ23
6	● 229930	538229930	1	H/L CARB.NEEDLE