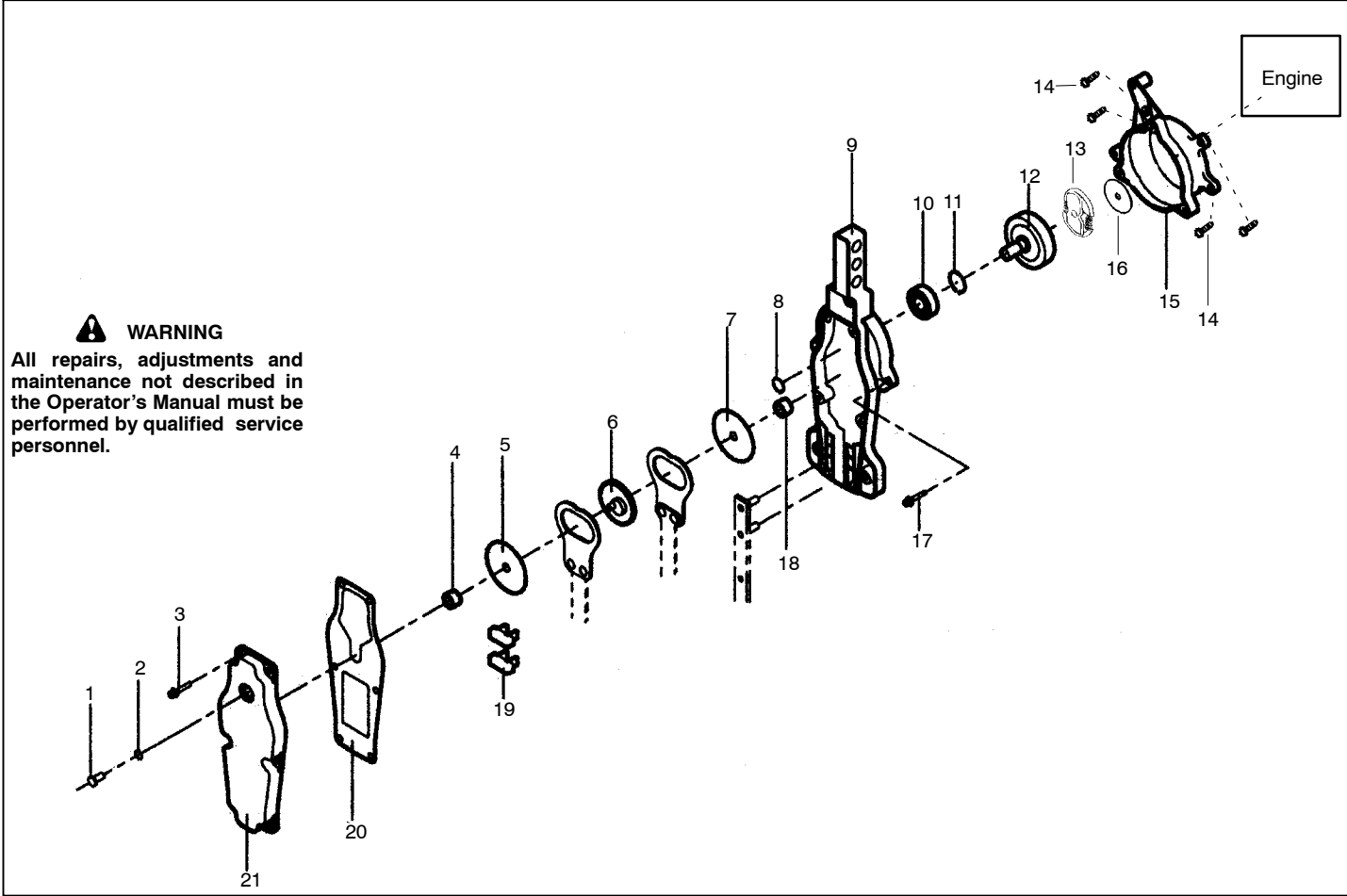


**WARNING**  
 All repairs, adjustments and maintenance not described in the Operator's Manual must be performed by qualified service personnel.

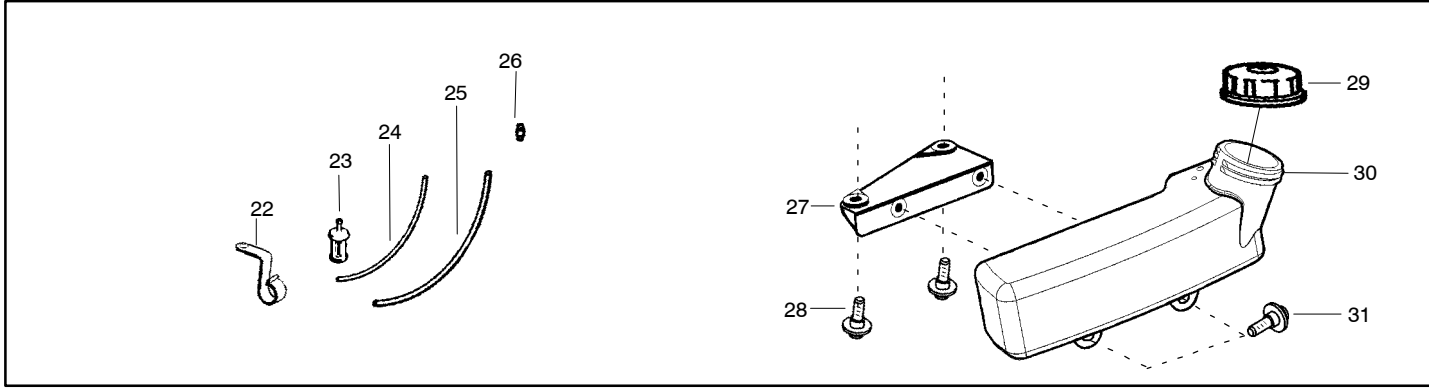
| Ref. | Part No.  | Description                            | Ref. | Part No.  | Description                        | Ref. | Part No.  | Description                          |
|------|-----------|--|------|-----------|------------------------------------|------|-----------|--------------------------------------|
| 1.   | 530016386 | Screw                                  | 23.  | 530055728 | Bearing-Outer                      | 46.  | 530015953 | Screw                                |
| 2.   | 530056454 | Shroud                                 | 24.  | 530019264 | Seal-Crankcase                     | 47.  | 530071486 | Gasket-Muffler (kit)                 |
| 3.   | 530071486 | O-Ring-C'case (kit)                    | 25.  | 530032125 | Bearing-Inner                      | 48.  | 530071805 | Kit-Muffler<br>(incl. # 47,49,50,51) |
| 4.   | 530012571 | Assy-Crankshaft                        | 26.  | 530015934 | Screw                              | 49.  | 530016338 | Bolt-Muffler                         |
| 5.   | 530071681 | Assy-C/case-C/shaft<br>(Incl. #4,6,22) | 27.  | 530071486 | Seal-Cylinder (kit)                | 50.  | 530071544 | Kit-Spark Arrestor                   |
| 6.   | 530015941 | Ring-Retainer-C'shaft                  | 28.  | 530069945 | Assy-Connecting Rod                | 51.  | 530015241 | Screw                                |
| 7.   | 530071487 | Assy-Flywheel                          | 29.  | 530071476 | Kit-Piston (Incl. 30 & 31)         | 52.  | 530057728 | Assy-Leadwire                        |
| 8.   | 530015828 | Washer-Flat                            | 30.  | 530015162 | Retainer-Piston Pin                | 53.  | 530071486 | Kit-Gasket<br>(Incl. #3,27,32,43,47) |
| 9.   | 530055729 | Spacer-Flywheel                        | 31.  | 530012472 | Ring-Piston                        |      |           |                                      |
| 10.  | 530015496 | Screw                                  | 32.  | 530071486 | Gasket-Carb. Adapt.(kit)           |      |           |                                      |
| 11.  | 530055681 | Plate-Baffle                           | 33.  | 530057634 | Adapter-Carburetor                 |      |           |                                      |
| 12.  | 530015882 | Screw                                  | 34.  | 530016309 | Screw                              |      |           |                                      |
| 13.  | 530069353 | Kit-Starter Pulley<br>(Incl.# 12)      | 35.  | 530059280 | Actuator-Choke Lever               |      |           |                                      |
| 14.  | 530058801 | Assy-Fan Housing                       | 36.  | 530055680 | Air Box                            |      |           |                                      |
| 15.  | 530027569 | Handle-Starter                         | 37.  | 530016429 | Screw                              |      |           |                                      |
| 16.  | 530069232 | Kit-Rope                               | 38.  | 530047932 | Air Filter Foam                    |      |           |                                      |
| 17.  | 530019182 | Grommet-Ignition Module                | 39.  | 530055679 | Air Filter Cover                   |      |           |                                      |
| 18.  | 530016386 | Screw-(f/hsg to shrd)                  | 40.  | 530015957 | Screw                              |      |           |                                      |
| 19.  | 530042085 | Spring-Starter                         | 41.  | 530015158 | Washer                             |      |           |                                      |
| 20.  | 530016357 | Screw                                  | 42.  | 530071776 | Kit-Carburetor Ass'y.<br>(C1U-W22) |      |           |                                      |
| 21.  | 530054137 | Ignition Module                        | 43.  | 530071486 | Gasket-Carburetor(kit)             |      |           | Not Shown                            |
| 22.  | 530012510 | Assy-Crankcase<br>(incl. 23,24,25)     | 44.  | 952030249 | Spark Plug(RCJ-6Y)                 |      |           |                                      |
|      |           |  | 45.  | 530012553 | Cylinder                           |      |           |                                      |
|      |           |  |      |           |                                    |      |           | 545117560                            |
|      |           |  |      |           |                                    |      |           | Operator Manual                      |

✓ = NEW PART NUMBER FOR THIS IPL      \* = REFER TO THE SERVICE REFERENCE INDICATED FOR MORE INFORMATION. (LOCATED AT END OF IPL)  
 ● = THESE PARTS ARE ILLUSTRATED FOR CLARITY. ORDER COMPLETE ASSEMBLY.

Note: Illustration may differ from actual model due to design changes



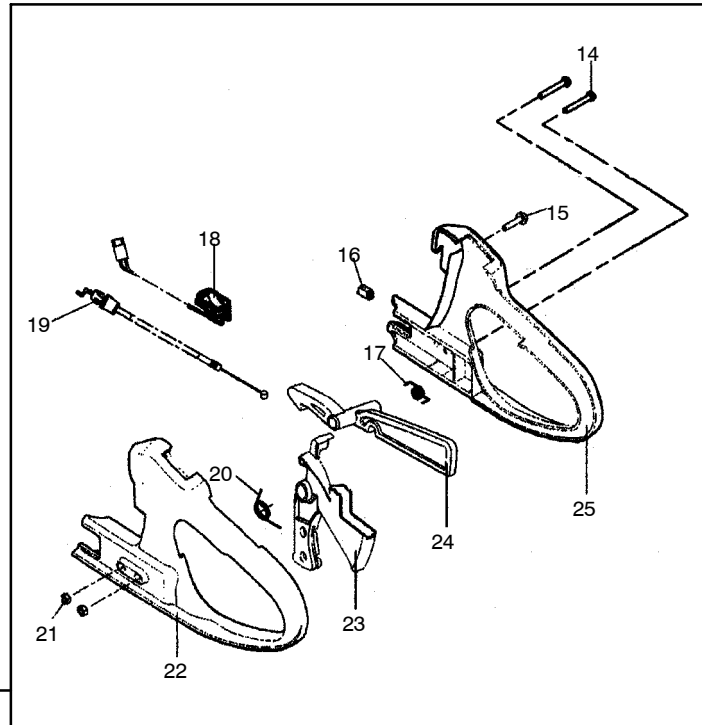
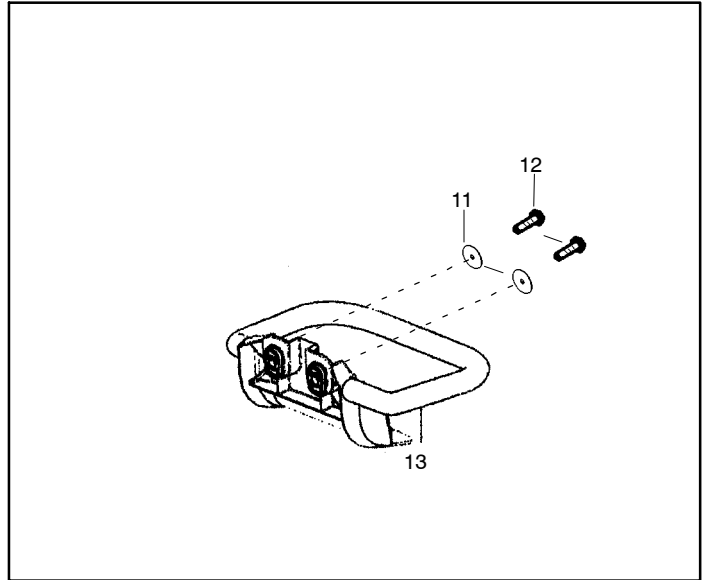
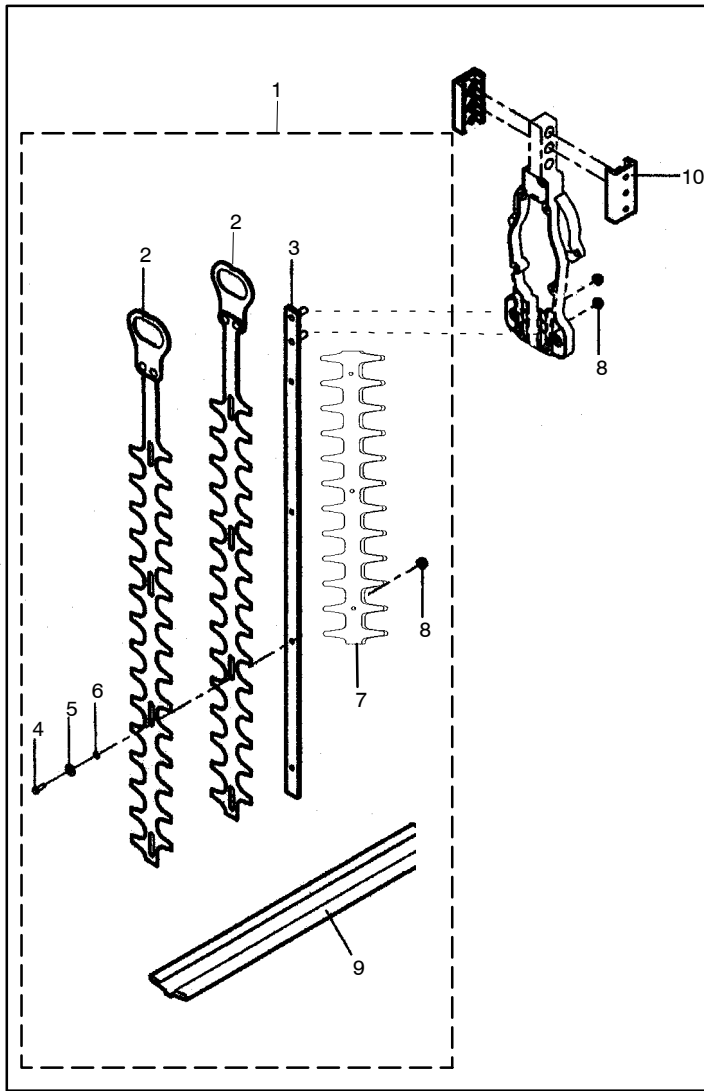
**WARNING**  
All repairs, adjustments and maintenance not described in the Operator's Manual must be performed by qualified service personnel.



| Ref. | Part No.  | Description          | Ref. | Part No.  | Description         | Ref. | Part No.  | Description                         |
|------|-----------|----------------------|------|-----------|---------------------|------|-----------|-------------------------------------|
| 1.   | 530016423 | Plug-Grease          | 12.  | 11014-222 | Clutch Drum C.P.    | 23.  | 530095646 | Assy-Fuel Pickup                    |
| 2.   | 214B0700  | O-ring               | 13.  | 530071803 | Kit-Clutch Assy.    | 24.  | 530069247 | Kit-Fuel Line (small)               |
| 3.   | 423U0515  | Socket Screw Flange  | 14.  | 530015886 | Screw               | 25.  | 530069216 | Kit-Fuel Line(large)                |
| 4.   | 76007-182 | Bushing              | 15.  | 51070-131 | Engine Base         | 26.  | 530023877 | Fitting-Fuel Line                   |
| 5.   | 11050-176 | Fixing Plate         | 16.  | 530015611 | Washer-Clutch       | 27.  | 530057738 | Bracket-Tank                        |
| 6.   | 78004-304 | Gear                 | 17.  | 423U0518  | Socket Screw Flange | 28.  | 530016445 | Screw-Retainer                      |
| 7.   | 11050-176 | Fixing Plate         | 18.  | 76007-182 | Bushing             | 29.  | 530049386 | Assy-Fuel Cap                       |
| 8.   | 812V1500  | C-Snapping for Shaft | 19.  | 61010-113 | Felt Packing        | 30.  | 530059255 | Assy-Fuel Tank<br>(Incl. 23-26, 29) |
| 9.   | 51068-108 | Cam Case             | 20.  | 61019-224 | Packing             | 31.  | 530016379 | Screw-Retainer                      |
| 10.  | 917B6202  | Bearing              | 21.  | 51069-105 | Cam Case Cover      |      |           |                                     |
| 11.  | 811V3500  | C-Snapping for Hole  | 22.  | 530016438 | Clip-Wire           |      |           |                                     |

✓ = NEW PART NUMBER FOR THIS IPL      \* = REFER TO THE SERVICE REFERENCE INDICATED FOR MORE INFORMATION. (LOCATED AT END OF IPL)  
 ● = THESE PARTS ARE ILLUSTRATED FOR CLARITY. ORDER COMPLETE ASSEMBLY.

Note: Illustration may differ from actual model due to design changes



**WARNING**

All repairs, adjustments and maintenance not described in the Operator's Manual must be performed by qualified service personnel.

| Ref. | Part No.  | Description   | Ref. | Part No.  | Description        | Ref. | Part No.  | Description          |
|------|-----------|---|------|-----------|--------------------|------|-----------|----------------------|
| 1.   | 545081005 | Kit-Assy-Blade<br>(Incl. 2,3,4,5,6,7,8,9<br>& #6 on page 2) | 11.  | 530016404 | Washer             | 23.  | 11095-167 | Lever                |
| 2.   | 91054-118 | Cutter B  | 12.  | 530015769 | Screw              | 24.  | 11095-166 | Lever                |
| 3.   | 11051-133 | Cutter guide  | 13.  | 530057731 | Handle-Front       | 25.  | 51106-138 | Handle -Rear (right) |
| 4.   | 31029-110 | Step Bolt   | 14.  | 412L0540  | Socket Screw       | 26.  | A54-70027 | Assy-Handle          |
| 5.   | 670V-0700 | Conical Spring Washer                                       | 15.  | 474L0420  | Tapping Screw      |      |           |                      |
| 6.   | 68002-101 | Cutter Washer   | 16.  | 91033-135 | Cover-Blind        |      |           |                      |
| 7.   | 51090-122 | Protector   | 17.  | 68013-367 | Spring             |      |           |                      |
| 8.   | 584L0600  | U-Hexagon Nut Flange  | 18.  | 71148-161 | Stop Switch Assy.  |      |           |                      |
| 9.   | 530057997 | Sleeve-Blade  | 19.  | 91001-324 | Throttle Wire      |      |           |                      |
| 10.  | 36006-128 | Absorber  | 20.  | 68013-321 | Spring             |      |           |                      |
|      |           |   | 21.  | 562L0500  | U-Hexagon Nut      |      |           |                      |
|      |           |   | 22.  | 51106-137 | Handle-Rear (left) |      |           |                      |

✓ = NEW PART NUMBER FOR THIS IPL      \* = REFER TO THE SERVICE REFERENCE INDICATED FOR MORE INFORMATION. (LOCATED AT END OF IPL)  
 ● = THESE PARTS ARE ILLUSTRATED FOR CLARITY. ORDER COMPLETE ASSEMBLY.