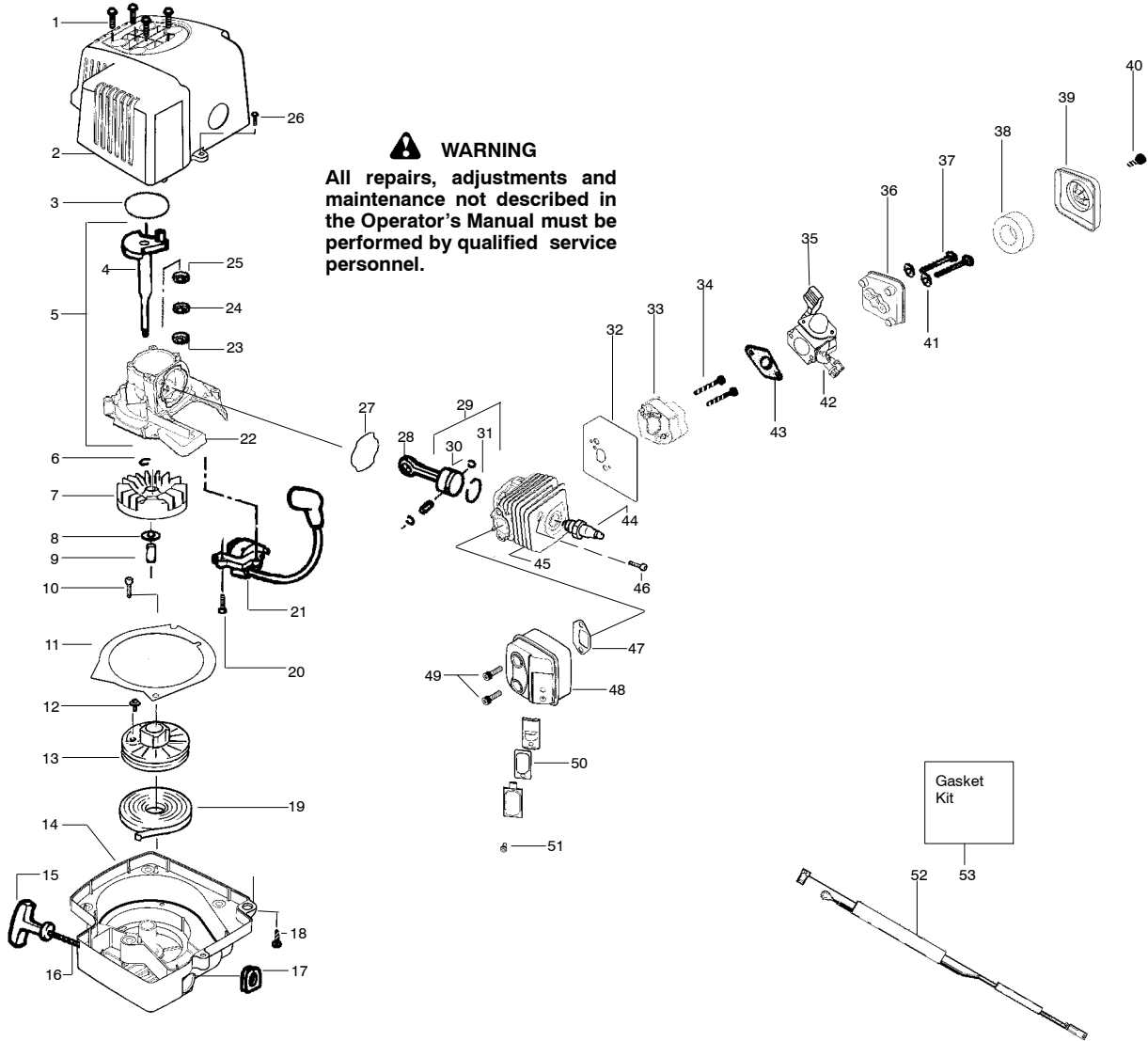


Note: Illustration may differ from actual model due to design changes

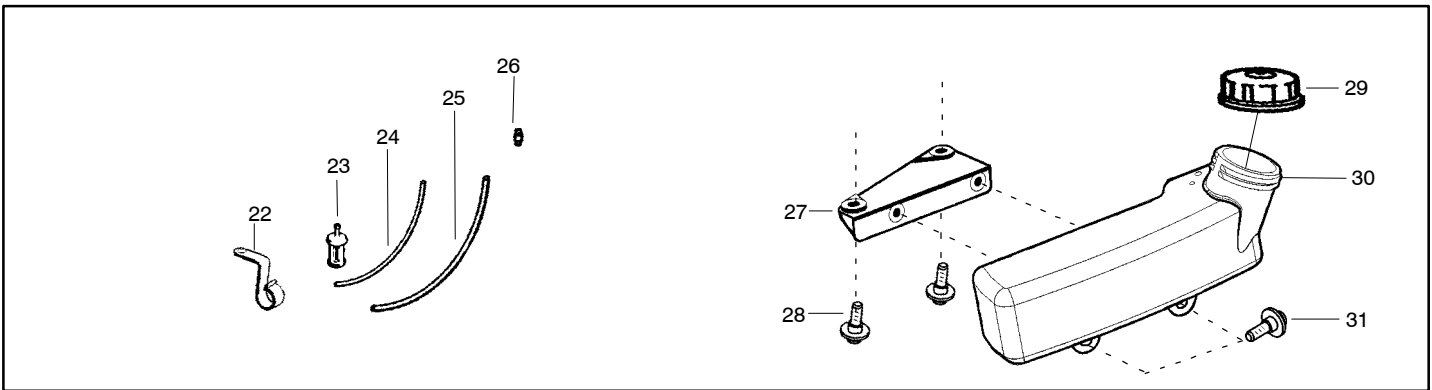
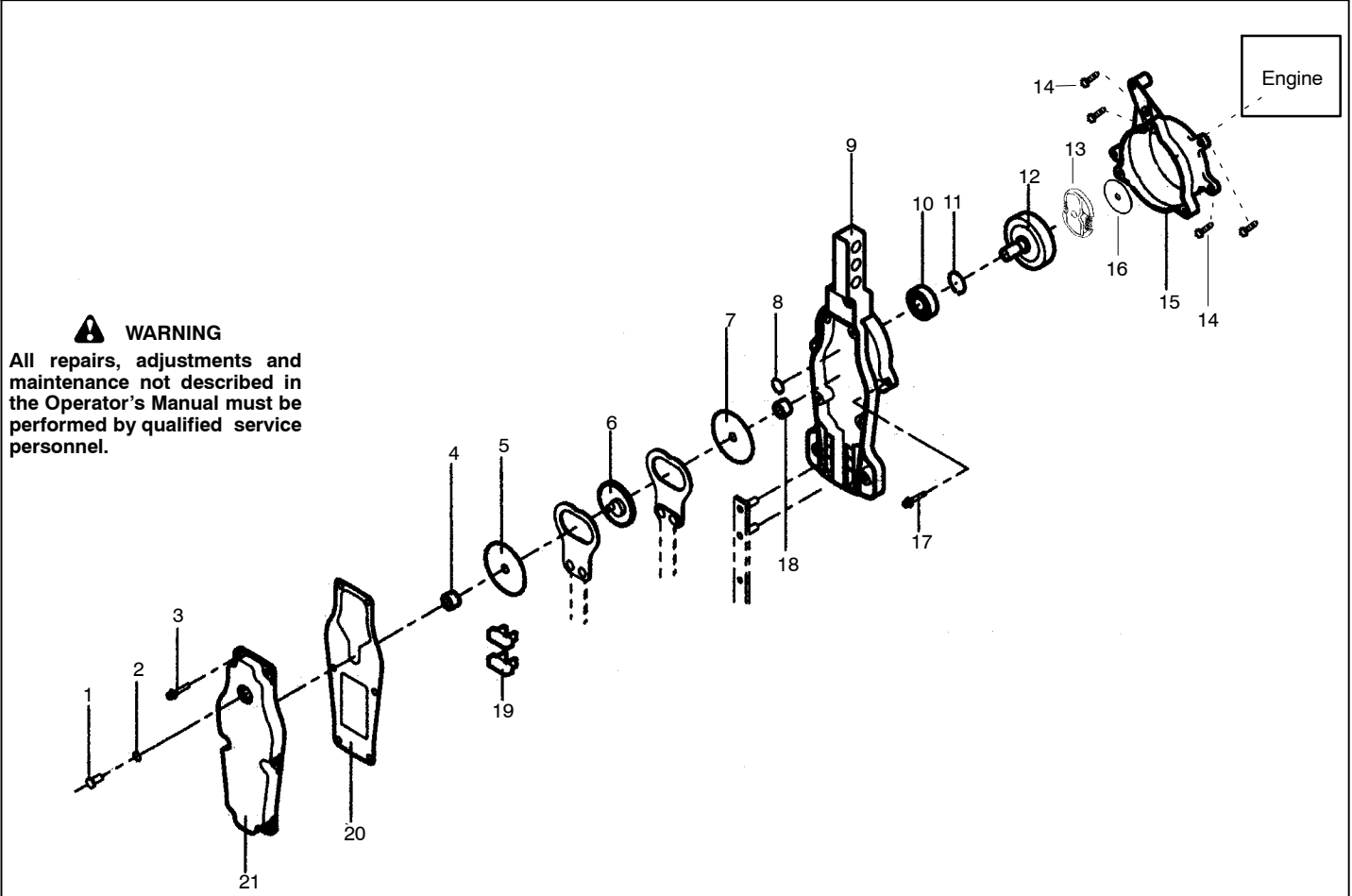


WARNING
All repairs, adjustments and maintenance not described in the Operator's Manual must be performed by qualified service personnel.

Ref.	Part No.	Description	Ref.	Part No.	Description	Ref.	Part No.	Description
1.	530016386	Screw	23.	530055728	Bearing-Outer	46.	530015953	Screw
2.	530056454	Shroud	24.	530019264	Seal-Crankcase	47.	530071486	Gasket-Muffler (kit)
3.	530071486	O-Ring-C'case (kit)	25.	530032125	Bearing-Inner	48.	530071805	Kit-Muffler (incl. # 47,49,50,51)
4.	530012571	Assy-Crankshaft	26.	530015934	Screw	49.	530016338	Bolt-Muffler
5.	530071681	Assy-C/case-C/shaft (Incl. #4,6,22)	27.	530071486	Seal-Cylinder (kit)	50.	530071544	Kit-Spark Arrestor
6.	530015941	Ring-Retainer-C'shaft	28.	530069945	Assy-Connecting Rod	51.	530015241	Screw
7.	530071487	Assy-Flywheel	29.	530071476	Kit-Piston (Incl. 30 & 31)	52.	530057728	Assy-Leadwire
8.	530015828	Washer-Flat	30.	530015162	Retainer-Piston Pin	53.	530071486	Kit-Gasket (Incl. #3,27,32,43,47)
9.	530055729	Spacer-Flywheel	31.	530012472	Ring-Piston			Not Shown
10.	530015496	Screw	32.	530071486	Gasket-Carb. Adapt.(kit)			
11.	530055681	Plate-Baffle	33.	530057634	Adapter-Carburetor			
12.	530015882	Screw	34.	530016309	Screw			
13.	530069353	Kit-Starter Pulley (Incl.# 12)	35.	530059280	Actuator-Choke Lever			
14.	530058801	Assy-Fan Housing	36.	530055680	Air Box			
15.	530027569	Handle-Starter	37.	530016429	Screw			
16.	530069232	Kit-Rope	38.	530047932	Air Filter Foam			
17.	530019182	Grommet-Ignition Module	39.	530055679	Air Filter Cover			
18.	530016386	Screw-(f/hsg to shrd)	40.	530015957	Screw			
19.	530042085	Spring-Starter	41.	530015158	Washer			
20.	530016357	Screw	42.	530071776	Kit-Carburetor Ass'y. (C1U-W22)			
21.	530054137	Ignition Module	43.	530071486	Gasket-Carburetor(kit)			
22.	530012510	Assy-Crankcase (incl. 23,24,25)	44.	952030249	Spark Plug(RCJ-6Y)			
			45.	530012553	Cylinder			
							545140979	Operator Manual

✓ = NEW PART NUMBER FOR THIS IPL * = REFER TO THE SERVICE REFERENCE INDICATED FOR MORE INFORMATION. (LOCATED AT END OF IPL)
● = THESE PARTS ARE ILLUSTRATED FOR CLARITY. ORDER COMPLETE ASSEMBLY.

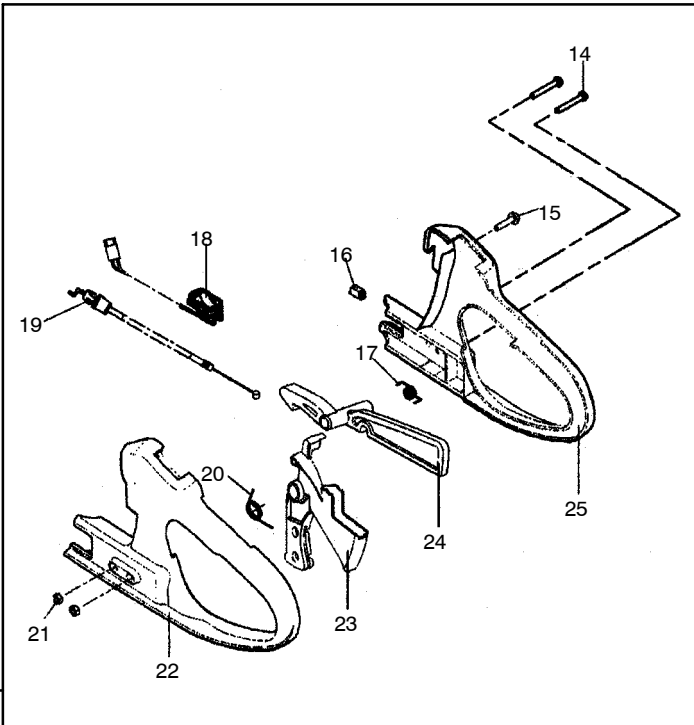
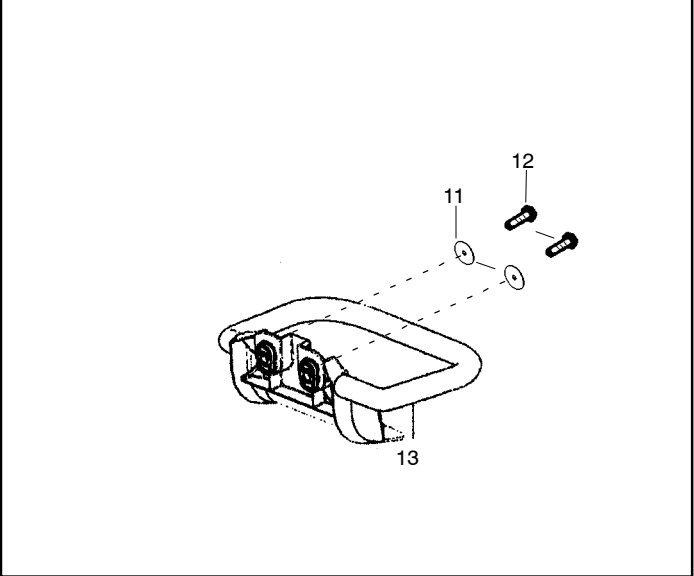
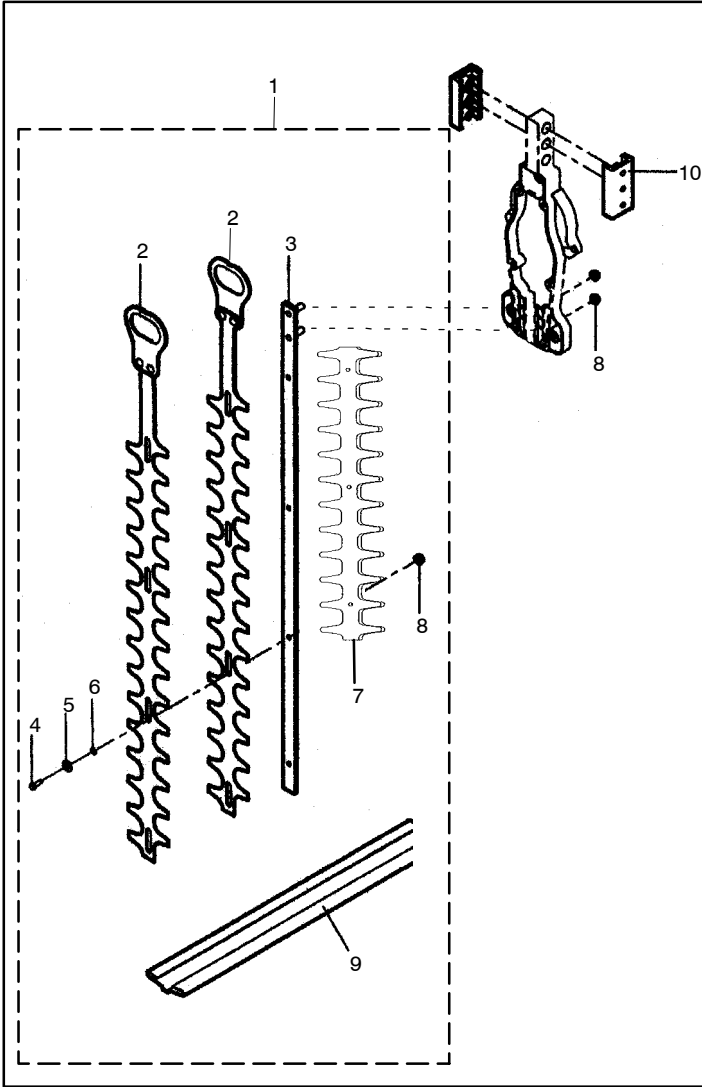
Note: Illustration may differ from actual model due to design changes



Ref.	Part No.	Description	Ref.	Part No.	Description	Ref.	Part No.	Description
1.	530016423	Plug-Grease	12.	11014-222	Clutch Drum C.P.	23.	530095646	Assy-Fuel Pickup
2.	214B0700	O-ring	13.	530071803	Kit-Clutch Assy.	24.	530069247	Kit-Fuel Line (small)
3.	545145422	Socket Screw Flange	14.	530015886	Screw	25.	530069216	Kit-Fuel Line(large)
4.	545145440	Bushing	15.	51070-131	Engine Base	26.	530023877	Fitting-Fuel Line
5.	11050-176	Fixing Plate	16.	530015611	Washer-Clutch	27.	530057738	Bracket-Tank
6.	545145441	Gear	17.	545145423	Socket Screw Flange	28.	530016445	Screw-Retainer
7.	11050-176	Fixing Plate	18.	545145440	Bushing	29.	530049386	Assy-Fuel Cap
8.	545145431	C-Snapping for Shaft	19.	545145433	Felt Packing	30.	530059255	Assy-Fuel Tank (Incl. 23-26, 29)
9.	51068-108	Cam Case	20.	545145434	Packing	31.	530016379	Screw-Retainer
10.	545145432	Bearing	21.	51069-105	Cam Case Cover			
11.	545145430	C-Snapping for Hole	22.	530016438	Clip-Wire			

✓ = NEW PART NUMBER FOR THIS IPL * = REFER TO THE SERVICE REFERENCE INDICATED FOR MORE INFORMATION. (LOCATED AT END OF IPL)
 ● = THESE PARTS ARE ILLUSTRATED FOR CLARITY. ORDER COMPLETE ASSEMBLY.

Note: Illustration may differ from actual model due to design changes



WARNING

All repairs, adjustments and maintenance not described in the Operator's Manual must be performed by qualified service personnel.

Ref.	Part No.	Description	Ref.	Part No.	Description	Ref.	Part No.	Description
1.	545081005	Kit-Assy-Blade (Incl. 2,3,4,5,6,7,8,9 & #6 on page 2)	11.	530016404	Washer	23.	11095-167	Lever
2.	91054-118	Cutter B	12.	530015769	Screw	24.	11095-166	Lever
3.	11051-133	Cutter guide	13.	530057731	Handle-Front	25.	51106-138	Handle -Rear (right)
4.	31029-110	Step Bolt	14.	545145421	Socket Screw	26.	A54-70027	Assy-Handle
5.	545145435	Conical Spring Washer	15.	545145424	Tapping Screw			
6.	545145436	Cutter Washer	16.	91033-135	Cover-Blind			
7.	51090-122	Protector	17.	545145438	Spring			
8.	545145429	U-Hexagon Nut Flange	18.	545145439	Stop Switch Assy.			
9.	530057997	Sleeve-Blade	19.	91001-324	Throttle Wire			
10.	36006-128	Absorber	20.	545145437	Spring			
			21.	545145428	U-Hexagon Nut			
			22.	51106-137	Handle-Rear (left)			

✓ = NEW PART NUMBER FOR THIS IPL * = REFER TO THE SERVICE REFERENCE INDICATED FOR MORE INFORMATION. (LOCATED AT END OF IPL)
 ● = THESE PARTS ARE ILLUSTRATED FOR CLARITY. ORDER COMPLETE ASSEMBLY.