

ILLUSTRATED PARTS LIST

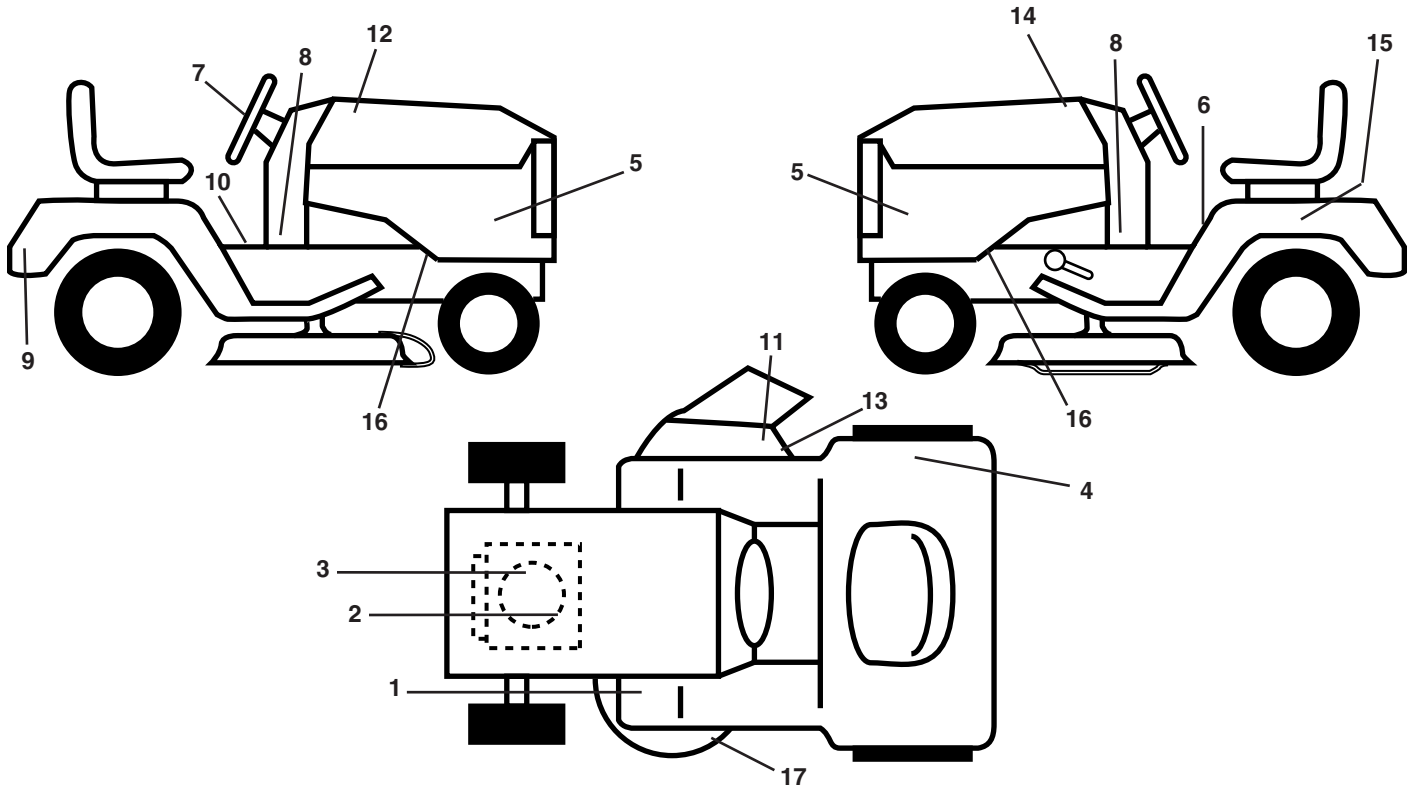
MODEL NO. 96011021400

CUSTOMER CATALOG NO. PP13538

PRODUCT NO. 960 11 02-14

REPAIR PARTS

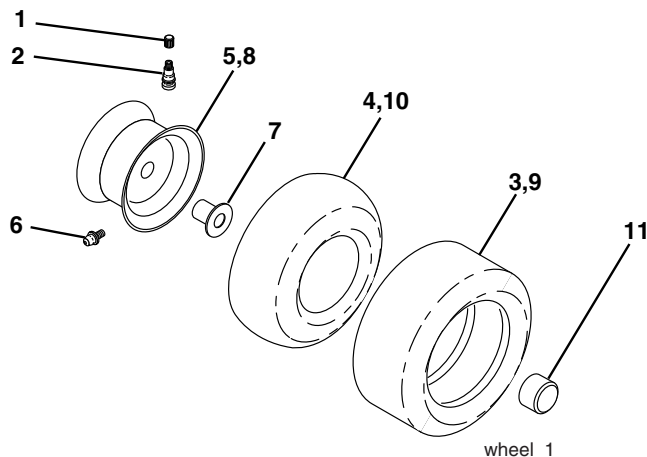
TRACTOR - - MODEL NUMBER PP13538 (96011021400), PRODUCT NO. 960 11 02-14
DECALS



| KEY NO. | PART NO. | DESCRIPTION |
|---------|---------------------|-----------------------------------|
| 1 | 532 15 97-37 | Decal, Clutch/Brake |
| 2 | 532 19 68-41 | Decal, Warning Engine Symbols |
| 3 | 532 18 98-41 | Decal, Engine HP |
| 4 | 532 16 88-69 | Decal, Tick Mark |
| 5 | 532 40 36-23 | Decal, SDPNL |
| 6 | 532 40 03-89 | Decal, Warning Syms. CE |
| 7 | 532 17 27-43 | Decal, Ins Str Wh |
| 8 | 532 40 35-69 | Decal, Lwr Dh |
| 9 | 532 17 27-40 | Decal, Fender |
| 10 | 532 14 08-37 | Decal, Saddle Brake Parking |
| 11 | 532 19 63-57 | Decal, Deflect. Wrn. Cutfng. Sym. |
| 12 | 532 18 61-63 | Decal, Hood RH |

| KEY NO. | PART NO. | DESCRIPTION |
|---------|--------------|-------------------------------|
| 13 | 532 18 21-66 | Decal, Cutfnger CE |
| 14 | 532 18 61-64 | Decal, Hood LH |
| 15 | 532 14 50-05 | Decal, Caution, Battery |
| 16 | 532 15 97-36 | Decal, Chassis Hot Muffler |
| 17 | 532 19 43-02 | Decal, V-Belt Sch. |
| -- | 532 13 83-11 | Decal, Handle Lft Height Adj. |
| -- | 532 16 25-98 | Decal, Drawbar Load |
| -- | 532 18 10-90 | Pad Footrest. RH |
| -- | 532 18 10-91 | Pad Footrest, LH |
| -- | 532 40 36-18 | Manual, Operator's |
| -- | 532 40 36-19 | Manual, Parts |

WHEELS & TIRES



| KEY NO. | PART NO. | DESCRIPTION |
|---------|--------------|------------------------------------|
| 1 | 532 05 91-92 | Cap, Tire valve |
| 2 | 532 06 51-39 | Stem, Valve |
| 3 | 532 10 62-22 | Tire, Front |
| 4 | 532 05 99-04 | Tube, Front (Service item only) |
| 5 | 532 12 51-21 | Rim assembly, 6" front |
| 6 | 532 00 02-78 | Fitting, Grease (Front wheel only) |
| 7 | 532 12 49-59 | Bearing, Flange (Front wheel only) |
| 8 | 532 12 51-22 | Rim assembly, 8" rear |
| 9 | 532 10 62-68 | Tire, Rear |
| 10 | 532 12 49-26 | Tube, Rear (Service item only) |
| 11 | 532 19 32-68 | Cap, Hub Axle |
| -- | 532 14 43-34 | Sealant, Tire (10 oz. Tube) |

NOTE: All component dimensions given in U.S. inches
1 inch = 25.4 mm

REPAIR PARTS

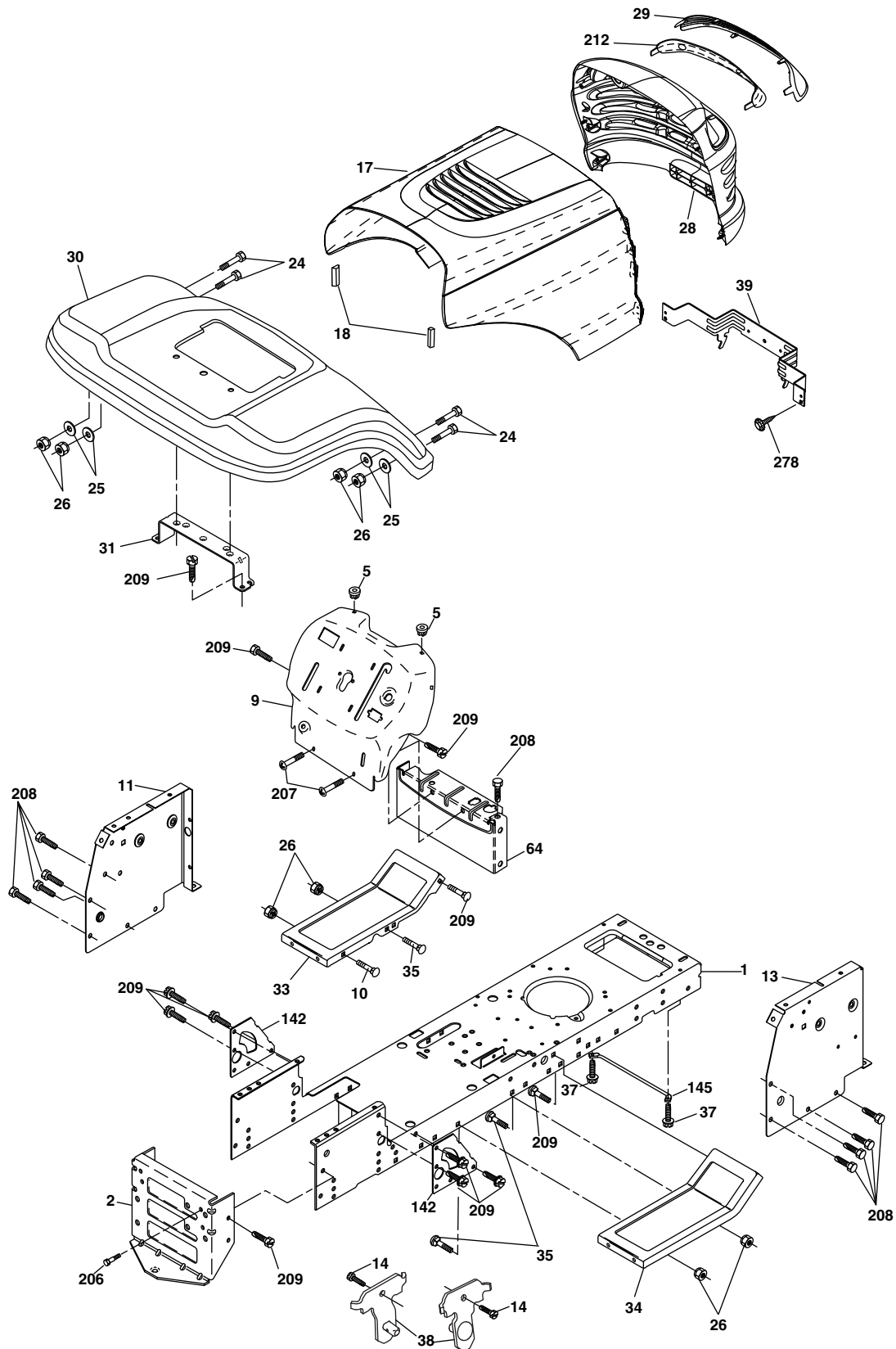
TRACTOR - - MODEL NUMBER PP13538 (96011021400), PRODUCT NO. 960 11 02-14
ELECTRICAL

| KEY NO. | PART NO. | DESCRIPTION |
|---------|--------------|------------------------------|
| 1 | 532 16 34-65 | Battery |
| 2 | 874 76 04-12 | Bolt Hex Hd 1/4-20 unc x 3/4 |
| 8 | 532 17 66-89 | Box Battery |
| 16 | 532 17 61-38 | Switch Interlock |
| 21 | 532 18 37-59 | Harness Asm Light W/4152j |
| 22 | 532 00 41-52 | Bulb Light #1156 |
| 24 | 532 12 47-80 | Cable Battery 6 Ga. 11"red |
| 25 | 532 14 61-47 | Cable Battery |
| 26 | 532 17 51-58 | Fuse 20 AMP |
| 27 | 873 51 04-00 | Nut Keps Hex 1/4-20 unc |
| 28 | 532 12 47-73 | Cable Ground 6 Ga. 12"black |
| 29 | 532 19 27-49 | Switch |
| 30 | 532 19 33-50 | Switch Ign |
| 33 | 532 14 04-01 | Key Ign |
| 34 | 532 11 07-12 | Switch Light/Reset |
| 40 | 532 19 74-28 | Harness Ign |
| 41 | 871 11 04-08 | Bolt Blk Fin Hex 1/4-20 |
| 42 | 532 13 15-63 | Cover Terminal Red |
| 43 | 532 19 25-07 | Solenoid |
| 48 | 532 14 08-44 | Adapter Ammeter |
| 52 | 532 14 19-40 | Protection Wire Loop |
| 90 | 532 18 04-49 | Cover Terminal Battery |
| 92 | 532 19 66-15 | Harness Pigtail |
| 93 | 532 19 25-40 | Screw Plastite 10-14 x 2.0 |
| 94 | 532 19 18-34 | Module Reverse |

NOTE: All component dimensions given in U. S.
inches 1 inch = 25.4 mm.

REPAIR PARTS

TRACTOR - - MODEL NUMBER PP13538 (96011021400), PRODUCT NO. 960 11 02-14
CHASSIS AND ENCLOSURES



chassis_elite value_stlt_2

REPAIR PARTS

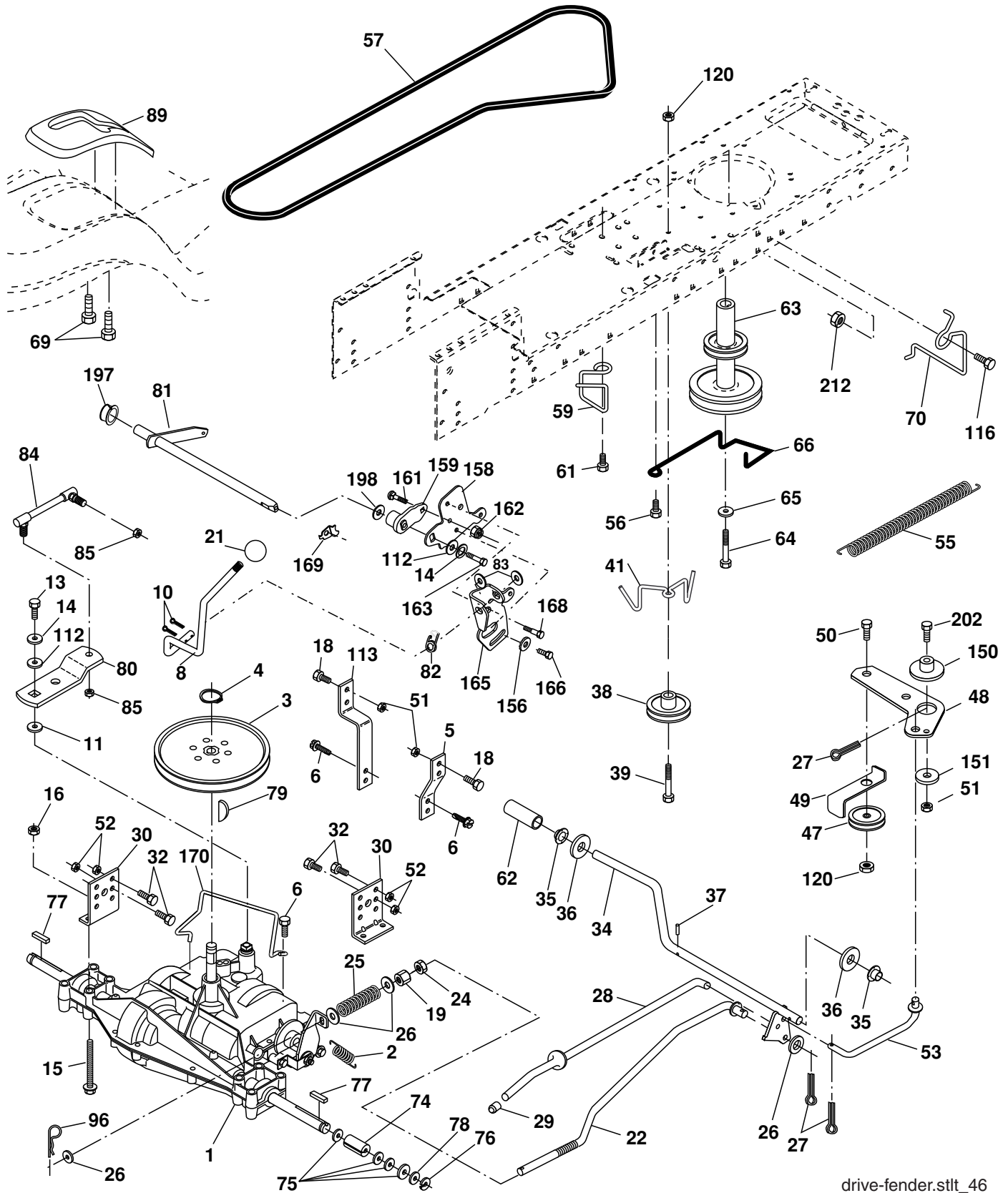
TRACTOR - - MODEL NUMBER PP13538 (96011021400), PRODUCT NO. 960 11 02-14 CHASSIS AND ENCLOSURES

| KEY NO. | PART NO. | DESCRIPTION |
|---------|--------------|---|
| 1 | 532 17 46-19 | Chassis |
| 2 | 532 17 65-54 | Drawbar, Stretch |
| 5 | 532 15 52-72 | Bumper, Hood/Dash |
| 9 | 532 19 41-97 | Dash |
| 10 | 872 14 06-08 | Bolt, Carriage 3/8-16 x 1 |
| 11 | 532 17 49-96 | Panel Dash LH |
| 13 | 532 18 69-52 | Panel Slkscr Dash RH |
| 17 | 532 18 65-80 | Hood |
| 18 | 532 18 49-21 | Bumper Hood |
| 24 | 874 78 06-16 | Bolt Fin Hex 3/8-16 unc x 1 Gr. 5 |
| 25 | 819 13 13-12 | Washer 13/32 x 13/16 x 12 Ga. |
| 26 | 873 80 06-00 | Nut Lock Hex w/Ins 3/8-16 unc |
| 28 | 532 18 35-52 | Grille/Lens Asm (Include Key nos. 29 and 212) |
| 29 | 532 18 58-46 | Lens Grille Basic Bar |
| 30 | 532 19 41-98 | Fender |
| 31 | 532 13 66-19 | Bracket Fender Repl 109873X |
| 33 | 532 18 25-07 | Footrest Pnt LH |
| 34 | 532 18 25-08 | Footrest Pnt RH |
| 35 | 872 11 06-06 | Bolt Rdhd Sht Sqnk 3/8-16 x 3/4 |
| 37 | 817 49 05-08 | Screw Thdrol 5/16-18 x 1/2 TYT |
| 38 | 532 17 57-10 | Bracket Asm. Pivot Mower |
| 39 | 532 17 47-14 | Bracket Pivot |
| 64 | 532 15 47-98 | Dash Lower |
| 142 | 532 17 57-02 | Plate Reinforcement |
| 145 | 532 15 65-24 | Rod Pivot Chassis/Hood |
| 205 | 817 49 06-08 | Screw Thdrol 3/8-16 x 1/2 |
| 206 | 532 17 01-65 | Bolt Shoulder 5/16-18 |
| 207 | 817 67 05-08 | Screw Thdrol 5/16-18 x 1/2 |
| 208 | 817 67 06-08 | Screw Thdrol 3/8-16 x 1/2 |
| 209 | 817 00 06-12 | Screw Hex Wsh Thdrol 3/8-16 |
| 212 | 532 18 35-50 | Insert Lens Reflect |
| 278 | 532 19 16-11 | Screw 10 x 3/4 Single Lead-Hex |
| -- | 532 00 54-79 | Plug Button Blk 359 Dia Choke |
| -- | 532 18 78-01 | Plug Dome Plastic |

NOTE: All component dimensions given in U.S. inches
1 inch = 25.4 mm.

REPAIR PARTS

TRACTOR -- MODEL NUMBER PP13538 (96011021400), PRODUCT NO. 960 11 02-14
DRIVE



drive-fender.stlt_46

REPAIR PARTS

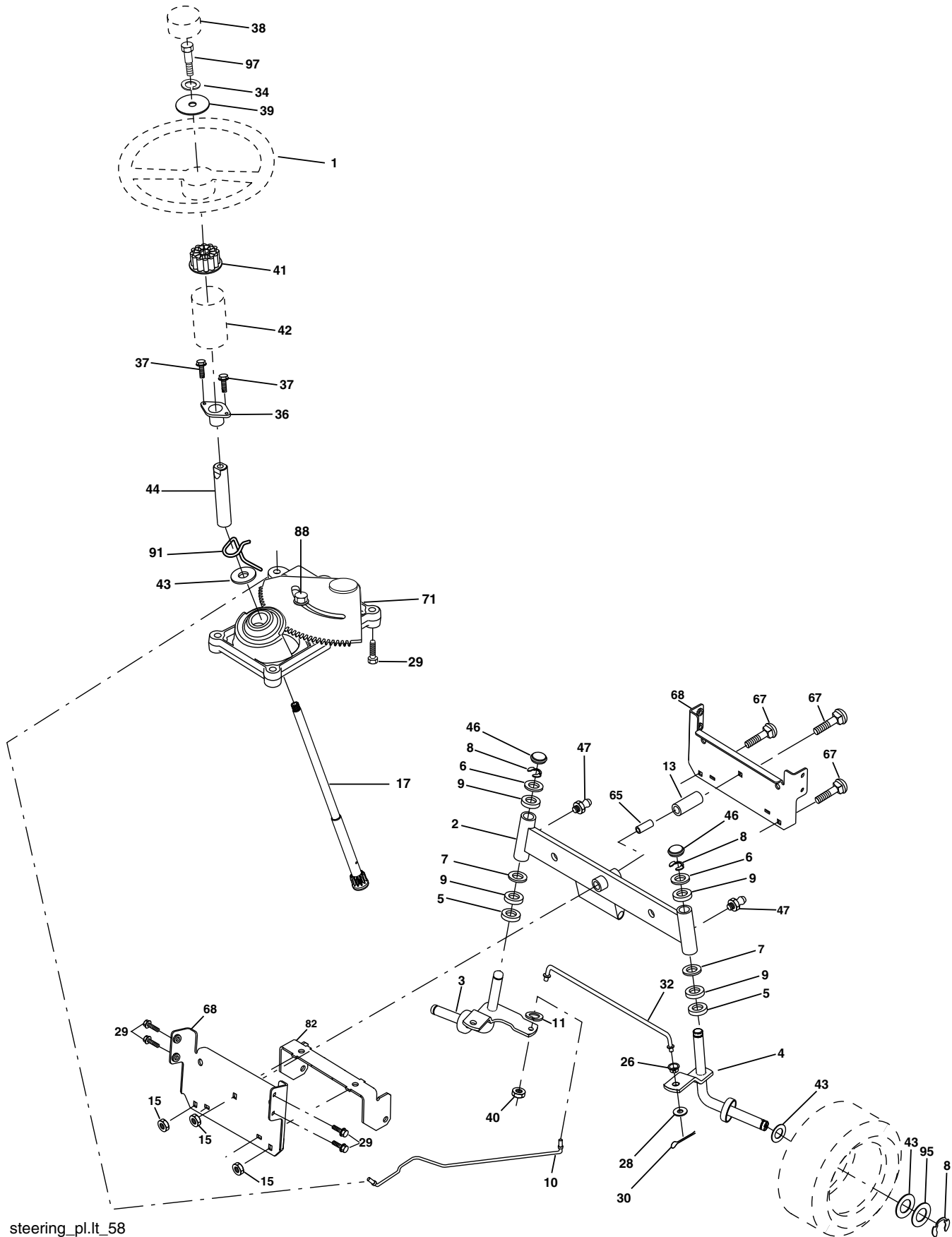
TRACTOR - - MODEL NUMBER PP13538 (96011021400), PRODUCT NO. 960 11 02-14
DRIVE

| KEY NO. | PART NO. | DESCRIPTION | KEY NO. | PART NO. | DESCRIPTION |
|---------|--------------|---|---------|--------------|-----------------------------------|
| 1 | ----- | Transaxle Dana D4360-140 (See Breakdown) | 63 | 532 17 54-10 | Pulley, Engine |
| 2 | 532 14 66-82 | Spring Brake Return | 64 | 532 17 39-37 | Bolt Hex 7/16-20 x 4 Gr. 5-1.5 |
| 3 | 532 12 36-66 | Pulley Transaxle | 65 | 810 04 07-00 | Washer Lock 7/16 |
| 4 | 812 00 00-28 | Ring Retainer | 66 | 532 15 47-78 | Keeper Belt Engine Hydro |
| 5 | 532 12 15-20 | Strap Torque 30 Degrees | 69 | 532 14 24-32 | Screw Hex Wsh Hi-Lo 1/4 x 1/2 unc |
| 6 | 817 00 05-12 | Screw 5/16-18 x 3/4 | 70 | 532 13 46-83 | Keeper Belt Engine |
| 8 | 532 19 27-06 | Rod Shift Fender Adjust | 74 | 532 10 95-02 | Spacer |
| 10 | 876 02 04-16 | Pin Cotter 1/8 x 1 CAD | 75 | 532 12 17-49 | Washer 25/32 x 1-1/4 x 16 Ga. |
| 11 | 532 10 57-01 | Washer Plate Shift | 76 | 812 00 00-01 | E-Ring |
| 13 | 874 55 04-12 | Bolt 1/4-28 unf Gr. 8 W/Patch | 77 | 532 12 35-83 | Key, Square |
| 14 | 810 04 04-00 | Washer Lock Hvy Helical | 78 | 532 12 17-48 | Washer 25/32 x 1-5/8 x 16 Ga. |
| 15 | 874 49 05-44 | Bolt Hex FLGHD 5/16-18 x Gr. 5 | 79 | 532 12 50-96 | Key Woodruff |
| 16 | 873 80 05-00 | Nut Lock Hex W/Ins. 5/16-18 unc | 80 | 532 13 14-88 | Arm Shift |
| 18 | 874 78 06-16 | Bolt Fin Hex 3/8-16 x 1 Gr. 5 | 81 | 532 16 55-94 | Shaft Asm Cross Tapered |
| 19 | 873 80 06-00 | Nut Lock Hex W/Wsh 3/8-16 unc | 82 | 532 16 57-11 | Spring Torsion |
| 21 | 532 10 69-33 | Knob | 83 | 819 17 12-16 | Washer 17/32 x 3/4 x 16 Ga. |
| 22 | 532 13 08-04 | Rod, Brake | 84 | 532 16 62-29 | Link Transaxle |
| 24 | 873 35 06-00 | Nut, Hex Jam 3/8-16 unc | 85 | 532 15 03-60 | Nut Lock Center 1/4-20 |
| 25 | 532 10 68-88 | Spring, Brake Rod | 89 | 532 19 49-71 | Console, Shift |
| 26 | 819 13 13-16 | Washer 13/32 x 13/16 Ga. | 96 | 532 12 47-88 | Retainer Spring 1" Zinc/Cad |
| 27 | 876 02 04-12 | Pin Cotter 1/8 x 3/4 CAD. | 112 | 819 09 12-10 | Washer 9/32 x 3/4 x 10 Ga. |
| 28 | 532 17 57-65 | Rod, Parking Brake | 113 | 532 12 72-85 | Strap Torque 90 Degrees |
| 29 | 532 07 16-73 | Cap, Parking Brake | 116 | 872 14 06-08 | Bolt Rdhd Sqneck 3/8-16 x 1.25 |
| 30 | 532 17 49-73 | Bracket, Transaxle | 120 | 873 90 06-00 | Nut Lock Flg 3/8-16 |
| 32 | 874 76 05-12 | Bolt Hex Hd 5/16-18 unc x 3/4 | 150 | 532 17 54-56 | Spacer Retainer |
| 34 | 532 17 55-78 | Shaft, Foot Pedal | 151 | 819 13 32-10 | Washer 13/32 x 2 x 10 Ga. |
| 35 | 532 12 01-83 | Bearing, Nylon | 156 | 532 16 60-02 | Washer Srrted 5/16 ID x 1.125 |
| 36 | 819 21 16-16 | Washer | 158 | 532 16 55-89 | Bracket Shift Mount |
| 37 | 532 12 49-63 | Pin, Roll | 159 | 532 18 39-00 | Hub Shift |
| 38 | 532 17 91-14 | Pulley, Composite, Flat | 161 | 872 14 04-06 | Bolt Rdhd Sqnk 1/4-20 x 3/4 Gr. 5 |
| 39 | 872 11 06-22 | Bolt Fin Hex 3/8-16 x 2-3/4 | 162 | 873 68 04-00 | Nut Crownlock 1/4-20 unc |
| 41 | 532 17 55-56 | Keeper, Belt Idler | 163 | 874 78 04-16 | Bolt Hex Fin 1/4-20 unc x 1 Gr. 5 |
| 47 | 532 12 77-83 | Pulley, Idler, V-Groove | 165 | 532 16 56-23 | Bracket Pivot Lever |
| 48 | 532 15 44-07 | Bellcrank, Clutch | 166 | 817 49 05-10 | Screw 5/16-18 x 5/8 |
| 49 | 532 12 32-05 | Retainer, Belt | 168 | 532 16 54-92 | Bolt Shoulder 5/16-18 x .561 |
| 50 | 872 11 06-12 | Bolt Carr 3/8-16 x 1-1/2 | 169 | 532 16 55-80 | Plate Fastening |
| 51 | 873 68 06-00 | Nut Crownlock 3/8-16 unc | 170 | 532 18 74-14 | Keeper Belt T/A |
| 52 | 873 68 05-00 | Nut, Crownlock 5/16-18 unc | 197 | 532 16 96-13 | Nyliner Snap-In 5/8"ID |
| 53 | 532 19 96-52 | Link, Clutch | 198 | 532 16 95-93 | Washer Nyl |
| 55 | 532 10 57-09 | Spring, Return, Clutch | 202 | 872 11 06-14 | Bolt Carr Sh 3/8-16 x 1-3/4 Gr. 5 |
| 56 | 817 06 06-20 | Screw 3/8-16 x 1-1/4 | 212 | 532 14 52-12 | Nut Hex Flg. Lock |
| 57 | 532 16 08-55 | V-Belt | | | |
| 59 | 532 16 96-91 | Keeper, Center Span | | | |
| 61 | 817 12 06-14 | Screw, 3/8-16 x .875 | | | |
| 62 | 532 12 48-72 | Cover, Pedal | | | |

NOTE: All component dimensions given in U.S. inches
1 inch = 25.4 mm

REPAIR PARTS

TRACTOR -- MODEL NUMBER PP13538 (96011021400), PRODUCT NO. 960 11 02-14
STEERING



steering_pl.it_58

REPAIR PARTS

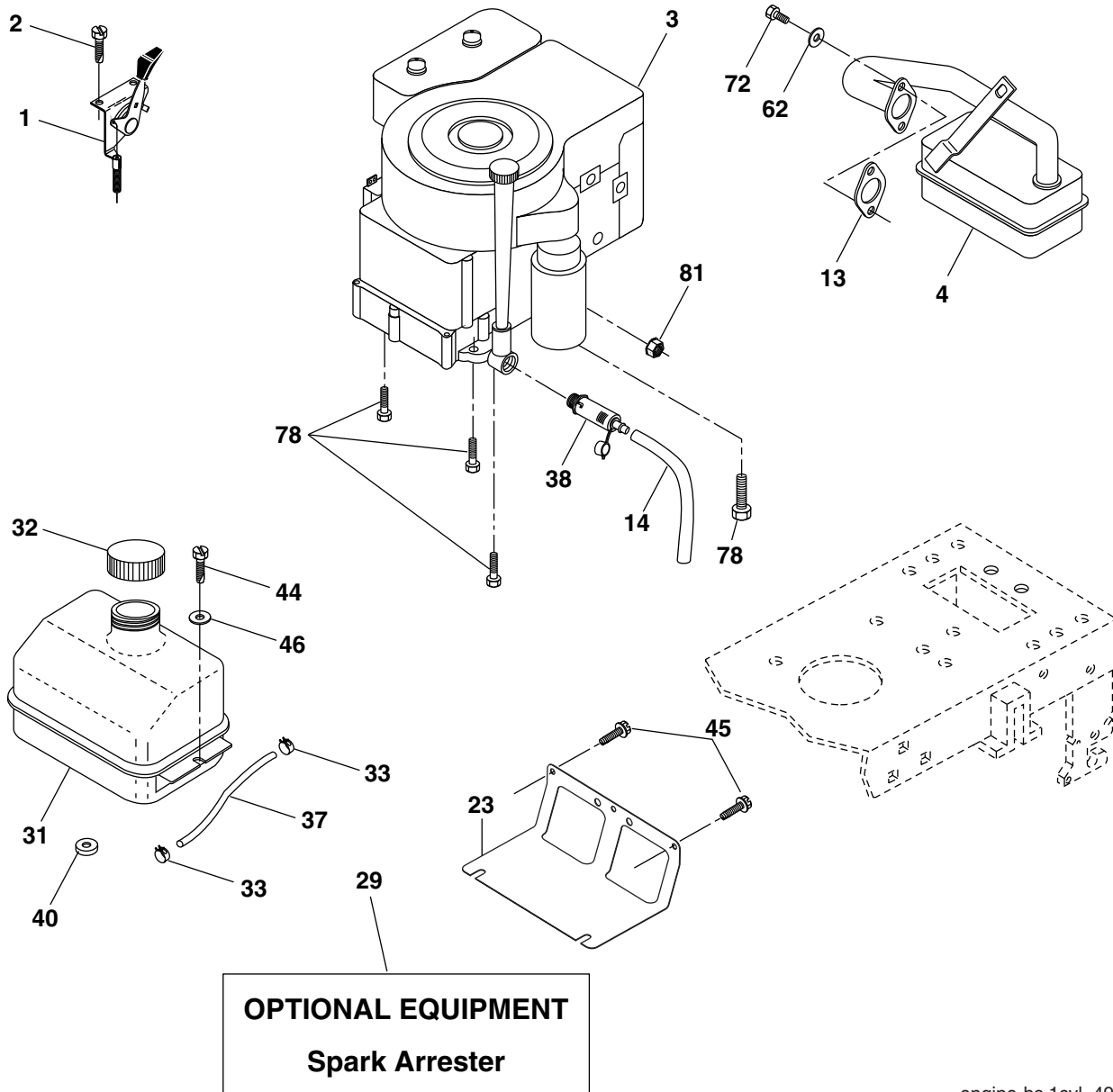
TRACTOR - - MODEL NUMBER PP13538 (96011021400), PRODUCT NO. 960 11 02-14
STEERING

| KEY NO. | PART NO. | DESCRIPTION |
|---------|--------------|---------------------------------------|
| 1 | 532 19 45-95 | Wheel Steering |
| 2 | 532 17 51-31 | Axle Asm |
| 3 | 532 16 98-40 | Spindle Asm LH |
| 4 | 532 16 98-39 | Spindle Asm RH |
| 5 | 532 12 49-31 | Bearing Race Thrust Harden |
| 6 | 532 12 17-48 | Washer 25/32 x 1-5/8 x 16 Ga. |
| 7 | 819 27 20-16 | Washer 27/32 x 1-1/4 x 16 Ga. |
| 8 | 812 00 00-29 | Ring Klip #t5304-75 |
| 9 | 532 12 49-37 | Bearing Col Strg Blk |
| 10 | 532 17 51-21 | Link Drag |
| 11 | 810 04 06-00 | Washer Lock Hvy Hlcl Spr 3/8 |
| 13 | 532 13 65-18 | Spacer earing Axle Front |
| 15 | 532 14 52-12 | Hexflange Lock |
| 17 | 532 19 07-53 | Shaft Asm Strg |
| 26 | 532 12 68-47 | Bushing Link Drag Blk LR |
| 28 | 819 13 14-16 | Washer 13/32 x 7/8 x 16 Ga. |
| 29 | 817 00 06-12 | Screw 3/8-16 x 3/4 |
| 30 | 876 02 04-12 | Pin Cotter 1/8 x 3/4 Cad |
| 32 | 532 19 27-57 | Rod Tie Wire Form 19 75 Mech |
| 34 | 810 04 05-00 | Washer Lock Hvy Hlcl Spr 5/16 |
| 36 | 532 15 50-99 | Bushing Strg 5/8 Id Dash |
| 37 | 532 15 29-27 | Screw |
| 38 | 532 19 46-03 | Cap Wheel Steer |
| 39 | 819 11 38-12 | Washer 11/32 ID x 2-3/8 OD x 12 Ga. |
| 40 | 873 54 06-00 | Nut Crownlock 3/8-24 |
| 41 | 532 18 67-37 | Adaptor Wheel Strg |
| 42 | 532 16 96-33 | Boot Dash Mtl Steering Blk |
| 43 | 532 12 17-49 | Washer 25/32 x 1 1/4 x 16 Ga. |
| 44 | 532 19 07-52 | Extension Steering |
| 46 | 532 12 12-32 | Cap Spindle Fr Top Blk |
| 47 | 532 18 32-26 | Fitting Grease |
| 65 | 532 16 03-67 | Spacer Brace Axle |
| 67 | 872 11 06-18 | Bolt RDHD SQNK 3/8-16 x 2-1/4 |
| 68 | 532 16 98-27 | Brace Axle |
| 71 | 532 17 51-46 | Steering Asm. |
| 82 | 532 19 99-78 | Bracket Susp Chassis Front |
| 88 | 532 17 51-18 | Bolt Shoulder 7/16-20 |
| 91 | 532 17 55-53 | Clip Steering |
| 95 | 532 18 89-67 | Washer Harden .793 x 1.637 x 060 |
| 97 | 874 78 05-64 | Bolt 5/16-18 unc x 4"L Hlcl Spr. 5/16 |

NOTE: All component dimensions given in U.S. inches
1 inch = 25.4 mm.

REPAIR PARTS

TRACTOR - - MODEL NUMBER PP13538 (96011021400), PRODUCT NO. 960 11 02-14
ENGINE



engine-bs.1cyl_49

| KEY NO. | PART NO. | DESCRIPTION |
|---------|--------------|--|
| 1 | 532 17 05-51 | Control Th/ch Flag |
| 2 | 817 72 04-08 | Screw Hex Thd Cut 1/4-20 x 1/2 |
| 3 | ----- | Engine, B&S 21B807 (Order parts from engine manufacturer) |
| 4 | 532 17 97-58 | Muffler Exhaust B&S |
| 13 | 532 16 52-91 | Gasket Eng 1 313 Id Tin Plated |
| 14 | 532 14 84-56 | Tube Drain Oil Easy |
| 23 | 532 16 98-37 | Shield BRN/DBR Guard |
| 29 | 532 13 71-80 | Kit Spark Arrestor (Flat Scrn) |
| 31 | 532 18 77-50 | Tank Fuel Front |
| 32 | 532 19 77-25 | Cap Asm Fuel |
| 33 | 532 12 34-87 | Clamp Hose |
| 37 | 532 40 11-37 | Line Fuel 20" |
| 38 | 532 18 16-54 | Plug Drain Oil |
| 40 | 532 12 40-28 | Bushing Snap Nyl Blk Fuel Line |
| 44 | 817 67 04-12 | Screw Thdrol 1/4-20 x 3/4 |

| KEY NO. | PART NO. | DESCRIPTION |
|---------|--------------|-------------------------------|
| 45 | 817 00 06-12 | Screw Hex Wsh Thdrol 3/8-16 |
| 46 | 819 09 14-16 | Washer 9/32 x 7/8 x 16 Ga. |
| 62 | 810 01 05-00 | Washer Split |
| 72 | 532 19 23-34 | Screw Socket Hd 5/16-18 x .75 |
| 78 | 817 06 06-20 | Screw 3/8-16 x 1-1/4 |
| 81 | 873 51 04-00 | Nut Keps Hex 1/4-20 unc |

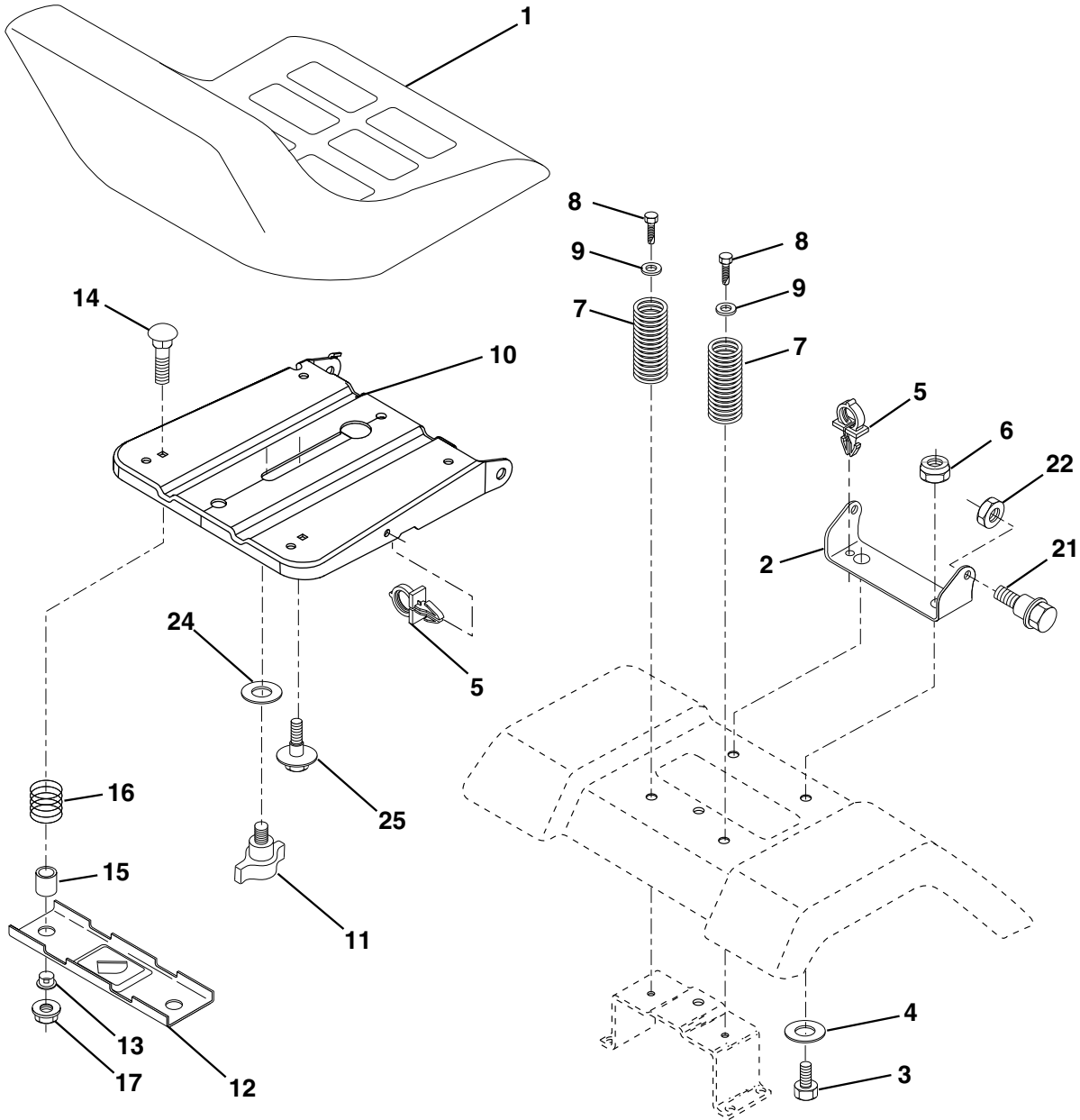
NOTE: All component dimensions given in U.S. inches
1 inch = 25.4 mm

For engine service and replacement parts, call the toll free number for your engine manufacturer listed below:

| | |
|-------------------|----------------|
| Briggs & Stratton | 1-800-233-3723 |
| Kohler Co. | 1-800-544-2444 |
| Tecumseh Products | 1-800-558-5402 |
| Honda Engines | 1-800-426-7701 |
| Kawasaki | 1-949-460-5688 |

REPAIR PARTS

TRACTOR - - MODEL NUMBER PP13538 (96011021400), PRODUCT NO. 960 11 02-14
SEAT



seat_lt.knob_13

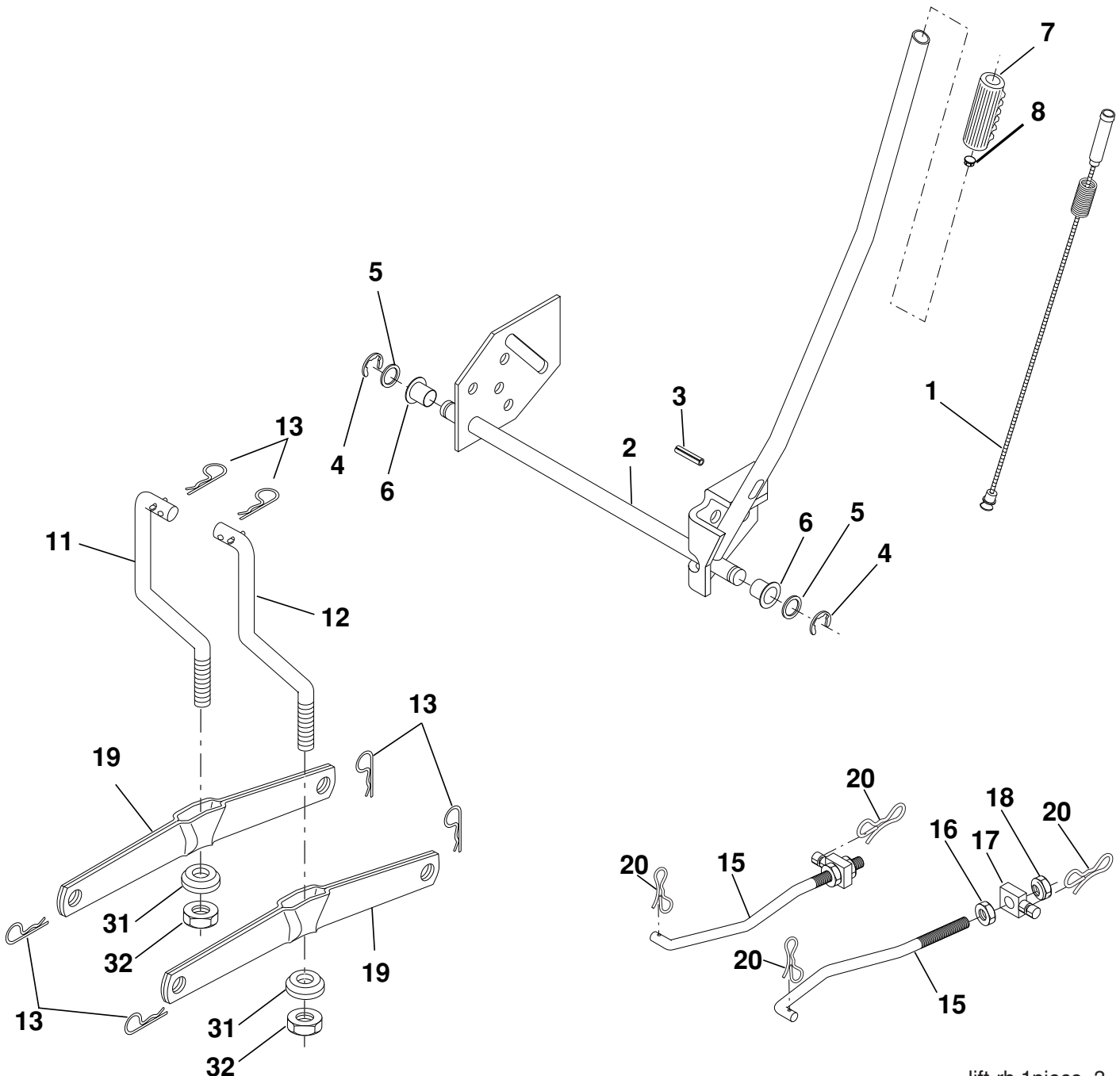
| KEY NO. | PART NO. | DESCRIPTION |
|---------|--------------|--------------------------------|
| 1 | 532 40 10-42 | Seat |
| 2 | 532 14 05-51 | Bracket Seat Pivot |
| 3 | 871 11 06-16 | Bolt Hex 3/8 - 16 x 1 |
| 4 | 819 13 16-10 | Washer 13/32 x 1 x10 Ga. |
| 5 | 532 14 50-06 | Clip Push-In Hinged |
| 6 | 873 80 06-00 | Nut Lock Hex w/Ins 3/8 - 16 |
| 7 | 532 12 41-81 | Spring Seat Cprsn 2 250 Blk Zi |
| 8 | 817 00 06-16 | Screw 3/8-16 x 1.5 |
| 9 | 819 13 16-14 | Washer 13/32 x 1 x 14 Ga. |
| 10 | 532 19 55-30 | Pan Asm. Seat |
| 11 | 532 16 63-69 | Knob Seat |
| 12 | 532 17 46-48 | Bracket Pnt Mounting Switch |

| KEY NO. | PART NO. | DESCRIPTION |
|---------|--------------|------------------------------------|
| 13 | 532 12 12-48 | Bushing Snap Blk Nyl |
| 14 | 872 05 04-12 | Bolt Rdhd Sht Nk 1/4 - 20 x 1 -1/2 |
| 15 | 532 13 43-00 | Spacer Split .28 x .96 |
| 16 | 532 12 12-50 | Spring Cprsn |
| 17 | 532 12 39-76 | Nut Lock 1/4 Lge Flg |
| 21 | 532 17 18-52 | Bolt Shoulder 5/16-18 unc-2A |
| 22 | 873 80 05-00 | Nut Lock Hex w/Ins 5/16 - 18 |
| 24 | 819 17 19-12 | Washer 17/32 x 1-3/16 x 12 Ga. |
| 25 | 532 12 70-18 | Bolt Shoulder 5/16-18 x .62 |

NOTE: All component dimensions given in U.S. inches
1 inch = 25.4 mm.

REPAIR PARTS

TRACTOR - - MODEL NUMBER PP13538 (96011021400), PRODUCT NO. 960 11 02-14
MOWER LIFT



lift-rh.1piece_3

| KEY NO. | PART NO. | DESCRIPTION |
|---------|--------------|-------------------------------|
| 1 | 532 19 84-17 | Wire Asm Inner/Sprg w/plunger |
| 2 | 532 19 80-70 | Shaft Asm Lift RH |
| 3 | 532 18 88-22 | Pin Groove |
| 4 | 812 00 00-02 | E Ring #5133-62 |
| 5 | 819 21 16-21 | Washer 21/32 x 1 x 21 Ga. |
| 6 | 532 12 01-83 | Bearing Nylon Blk 629 Id |
| 7 | 532 10 94-13 | Grip Handle Bicycle Matte Blk |
| 8 | 532 12 45-25 | Button Plunger Black |
| 11 | 532 13 98-65 | Link Lift LH Fixed Length |
| 12 | 532 13 98-66 | Link Lift RH Fixed Length |
| 13 | 532 12 46-70 | Retainer Spring |

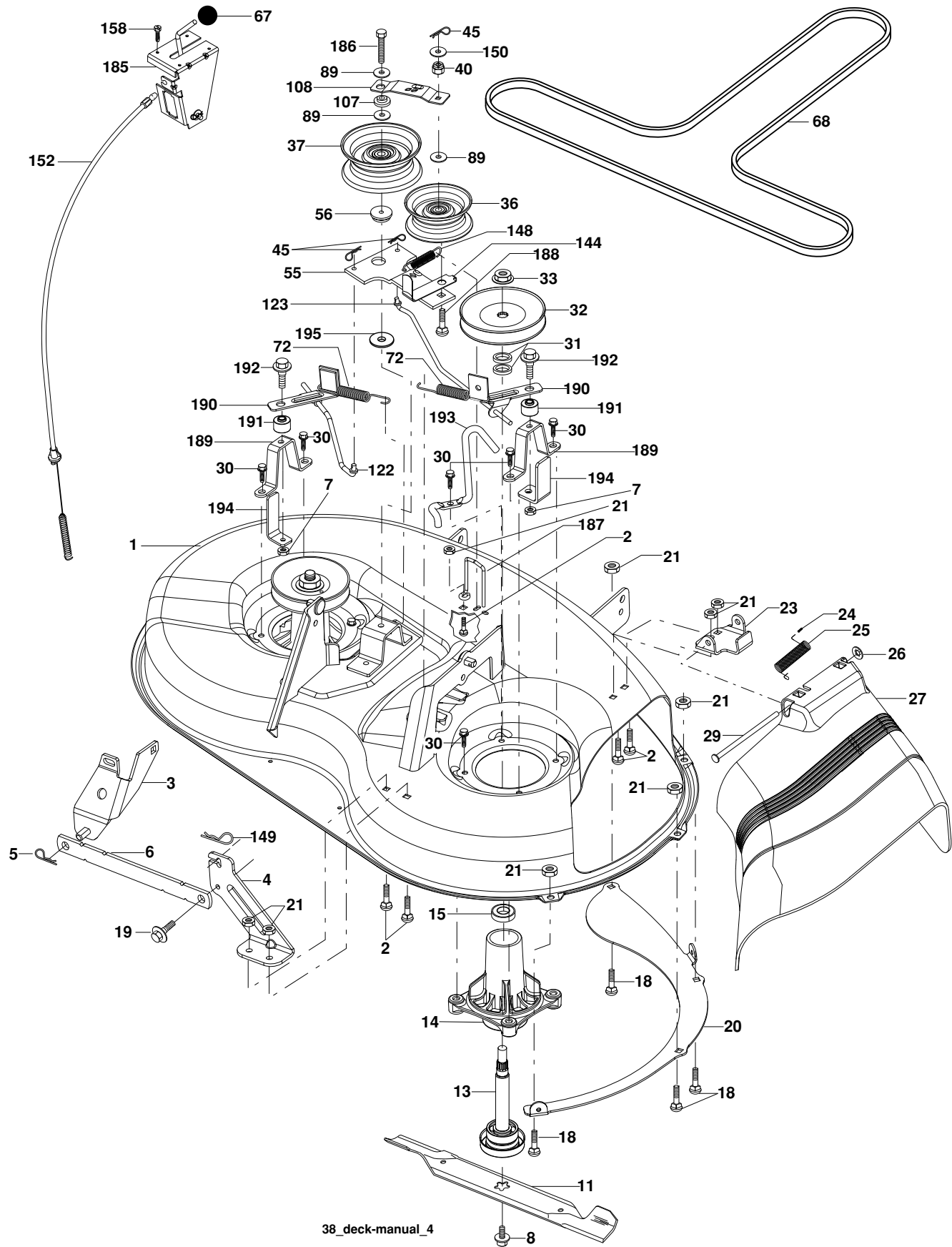
| KEY NO. | PART NO. | DESCRIPTION |
|---------|--------------|------------------------------|
| 15 | 532 17 32-88 | Link Front |
| 16 | 873 35 08-00 | Nut Jam Hex 1/2-13 unc |
| 17 | 532 17 56-89 | Trunnion |
| 18 | 873 80 08-00 | Nut Lockw/Wsh 1/2-13 unc |
| 19 | 532 13 98-68 | Arm Suspension Rear |
| 20 | 532 19 42-09 | Pin Cotter 7/16 Bow Tie Lock |
| 31 | 532 16 98-65 | Bearing Pvt Lift |
| 32 | 873 54 06-00 | Nut Crownlock 3/8-24 |
| 55 | 532 19 42-08 | Pin Cotter 5/16 Bowtie Lock |

NOTE: All component dimensions given in U.S. inches
1 inch = 25.4 mm.

REPAIR PARTS

TRACTOR - - MODEL NUMBER PP13538 (96011021400), PRODUCT NO. 960 11 02-14

MOWER DECK



38_deck-manual_4

REPAIR PARTS

TRACTOR - - MODEL NUMBER PP13538 (96011021400), PRODUCT NO. 960 11 02-14
MOWER DECK

| KEY NO. | PART NO. | DESCRIPTION | KEY NO. | PART NO. | DESCRIPTION |
|---------|--------------|--|---------|--------------|--|
| 1 | 532 19 25-56 | Mower Housing Assembly | 67 | 532 17 15-98 | Knob |
| 2 | 872 14 05-06 | Bolt Carriage 5/16-18 x 3/4 | 68 | 532 19 32-14 | V-Belt |
| 3 | 532 13 80-17 | Bracket Asm Fr. Sway Bar | 72 | 532 19 32-16 | Spring Brake Return |
| 4 | 532 19 25-68 | Bracket Deck Sway Bar 38"/42" | 89 | 819 13 13-11 | Washer 13/32 x 13/16 x 11 Ga. |
| 5 | 532 12 46-70 | Retainer Spring | 107 | 532 13 35-02 | Spacer Retainer |
| 6 | 532 17 80-24 | Bar Sway Deck | 108 | 532 13 35-03 | Stiffener, Idler Arm |
| 7 | 873 80 05-00 | Nut Lock Hex w/Insert 5/16-18 unc | 122 | 532 19 25-75 | Rod, Brake LH |
| 8 | 532 19 30-03 | Bolt 3/8-24 x 1.25 Gr. 8 | 123 | 532 19 25-76 | Rod, Brake RH |
| 11 | 532 19 39-57 | Blade Mower | 144 | 532 19 34-14 | Keeper Belt Idler Tension |
| 13 | 532 19 28-72 | Shaft Assembly, Mandrel, Vented (Includes Key Number 6) | 148 | 532 16 90-22 | Spring Return Idler |
| 14 | 532 18 72-81 | Housing, Mandrel, Vented | 149 | 532 16 58-98 | Retainer Spring Yellow |
| 15 | 532 11 04-85 | Bearing, Ball, Mandrel | 150 | 819 09 12-10 | Washer 9/32 x 3/4 x 10 Ga. |
| 18 | 872 14 05-05 | Blade Rdhd Sqnk 5/16-18 x 5/8 | 152 | 532 19 32-35 | Clutch Cable 38" |
| 19 | 532 13 28-27 | Bolt, Shoulder | 158 | 817 72 04-08 | Screw Hex Thd Cut 1/4-20 x 1/2 |
| 20 | 532 40 00-95 | Baffle Vortex Front | 185 | 532 18 82-34 | Head Asm Cable Clutch |
| 21 | 873 68 05-00 | Nut | 186 | 817 49 06-44 | Screw Hex Wsh Thdrol 3/8-16 x 2-3/4 |
| 23 | 532 19 25-57 | Bracket, Mower Deflector | 187 | 532 19 34-12 | Keeper Belt M Shape |
| 24 | 532 10 53-04 | Cap, Sleeve | 188 | 532 16 58-91 | Bolt Carriage Idler |
| 25 | 532 19 70-26 | Spring, Torsion, Deflector | 189 | 532 19 25-59 | Brake Stand |
| 26 | 532 11 04-52 | Nut, Push | 190 | 532 19 25-60 | Brake Arm |
| 27 | 532 40 14-72 | Shield, Deflector | 191 | 532 19 25-61 | Brake Spacer |
| 29 | 532 13 14-91 | Rod, Hinge | 192 | 532 19 37-82 | Bolt/Washer Asm. 5/16-18 |
| 30 | 532 17 39-84 | Screw Thdrol. | 193 | 532 19 34-13 | Keeper Belt Rh Mandrel |
| 31 | 532 18 76-90 | Washer, Spacer | 194 | 532 19 41-05 | Brake Guard |
| 32 | 532 17 34-35 | Pulley, Mandrel | 195 | 819 13 32-10 | Washer 13/32 x 2 x 10 Ga. |
| 33 | 532 40 02-34 | Nut, Toplock | - - | 532 19 28-70 | Mandrel Assembly (Includes Housing, Shaft and Shaft Hard- ware Only - Pulley Not Included) |
| 36 | 532 17 34-38 | Pulley, Idler, Flat | - - | 532 40 04-28 | Replacement Mower, Complete |
| 37 | 532 17 58-20 | Pulley, Idler Flat | | | |
| 40 | 873 68 06-00 | Nut, Crownlock 3/8-16 unc | | | |
| 45 | 532 12 47-88 | Retainer | | | |
| 55 | 532 13 38-40 | Idler Arm Assembly | | | |
| 56 | 532 16 57-23 | Spacer, Retainer | | | |

NOTE: All component dimensions given in U.S. inches
1 inch = 25.4 mm