



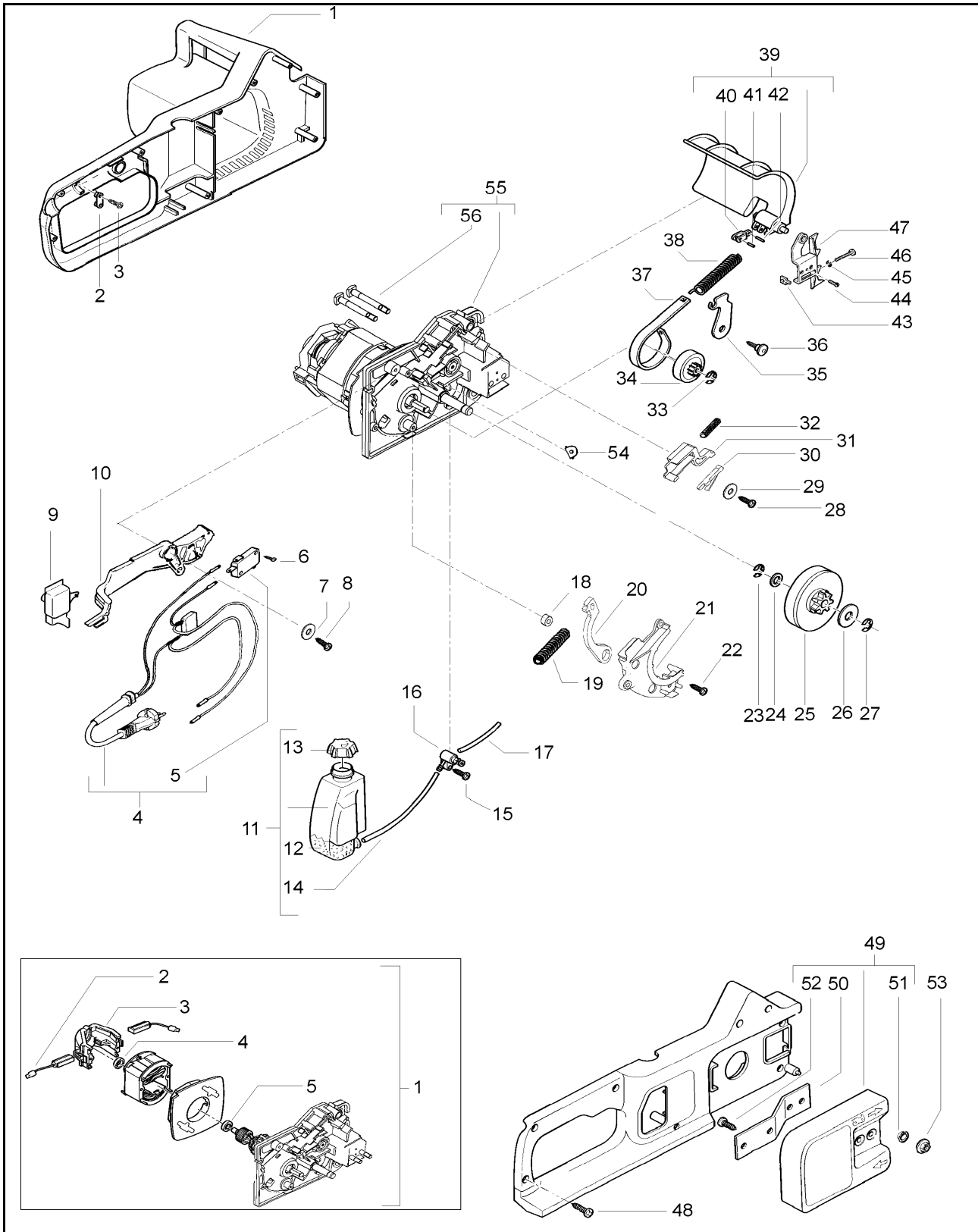
ELECTROLUX OUTDOOR PRODUCTS

PNC	Type/Prefix/nd	Model	Brand
953900412	06	WE 235	
953900577	06	POULAN ES 840	POULAN
953900719	06	POULAN ES 835	POULAN
953900464	06	EL 1750	POULAN
953900537	06	ESV 1816	POULAN

Number of Pages 1 of 3

Factory: IIQ - Valmadrera	Product Group: OP 93
Publication Number: EIPL2004_VP0411007	Petrol Portable
Publication Date: 5/11/04	Sub Group 9434

Service



Item	P/N McC	P/N ELX	Qty	DESCRIPTION
------	---------	---------	-----	-------------

Item	P/N McC	P/N ELX	Qty	DESCRIPTION
------	---------	---------	-----	-------------

FIGURE 1

1	249147	538249147	1	crankcase kit
2	241052	538241052	1	wires clamp
3	241077	538241077	2	screw
C 4	243008	538243008	1	wires ass'y(schuko)
C 4	243039	538243039	1	wires ass'y(UK)
C 4	243038	538243038	1	wires ass'y(CH)
C 4	243044	538243044	1	wires ass'y(AU)
C 5 •	242687	538242687	1	microswitch
6	240862	538240862	1	screw self threading 4x18
7	241703	538241703	1	washer
8	240833	538240833	1	screw self threading 3x20
9	243009	538243009	1	trigger
10	243014	538243014	1	trigger lever
C 11	4305	538004305	1	oil tank ass'y
12 •	242365	538242365	1	oil filter
B 13 •	241060	538241060	1	cap
C 14 •	242402	538242402	1	oil tube (tank - oil pump)
15	240862	538240862	1	screw self threading 4x18
B 16	241183	538241183	1	oil pump
17	229743	538229743	1	oil tube (oil tank - chain)
B 18	243005	538243005	1	bushing
19	243006	538243006	1	spring
B 20	243004	538243004	1	brake (stop in time)
21	243007	538243007	1	brake cover
22	240862	538240862	3	screw self threading 4x18
23	229137	538229137	1	seeger D.8
C 24	241074	538241074	1	washer 10x15x1
A 25	241038	538241038	1	gear
C 26	241075	538241075	1	washer 10x30x0,8
B 27	229137	538229137	1	seeger D.8
28	240862	538240862	3	screw self threading 4x18
29	241703	538241703	1	washer 4,5x16x0,8
C 30	243019	538243019	1	trigger lock
C 31	243018	538243018	1	slide
C 32	241574	538241574	1	spring
33	241073	538241073	1	seeger D.8
B 34	243003	538243003	1	pinion
35	241044	538241044	1	lever
36	241045	538241045	1	screw
37	241500	538241500	1	brake metal stripping
38	241451	538241451	1	brake spring
39	247717	538247717	1	brake lever ass'y
40 •	241043	538241043	1	toggle
41 •	229394	538229394	1	pin
42 •	241978	538241978	1	pin

43	241037	538241037	1	tensioner nut
44	229082	538229082	1	screw
45	235367	538235367	1	seeger ring
46	241167	538241167	1	screw
47	241036	538241036	1	spiked bumper
48	240862	538240862	8	screw self threading 4x18
C 49	4355	538004355	1	pinion cover ass'y
50 •	241066	538241066	1	pinion cover plate
51 •	241067	538241067	2	bushing
52 •	241077	538241077	1	screw self threading 4x14
A 53	242501	538242501	2	nut M6
B 54	243017	538243017	1	cap
55	FIGURE 2			
A 56 •	241035	538241035	2	bar bolt

FIGURE 2 1500W -1650 W

C 1	243033	538243033	1	motor ass'y
C 2 •	00248956	538048956	2	brushes
C 3 •	00248957	538048957	1	brushes holder
C 4 •	00216400	538216400	1	bearing
C 5 •	00216404	538216404	1	bearing

FIGURE 2 1700W -1750W - 1800W - 1850W - 2200W

C 1	243035	538243035	1	motor ass'y
C 2 •	00248956	538048956	2	brushes
C 3 •	00248957	538048957	1	brushes holder
C 4 •	00216400	538216400	1	bearing
C 5 •	00216404	538216404	1	bearing

A=ALTA ROTAZIONE
B=MEDIA ROTAZIONE
C=ALTA ROTAZIONE
NUOVI CODICI

A=HIGH MOVING
B=MEDIUM MOVING
C=SLOW MOVING
NEW P. NUMBERS

A=HAUTE DEMANDE
B=MOYENNE DEMANDE
C=BASSE DEMANDE
NOUVELLES REFERENCES

A=GROBE NACHFRAGE
B=MITTELMAESSIGE
C=WENIGE NACHFRAGE
NEU CODEX