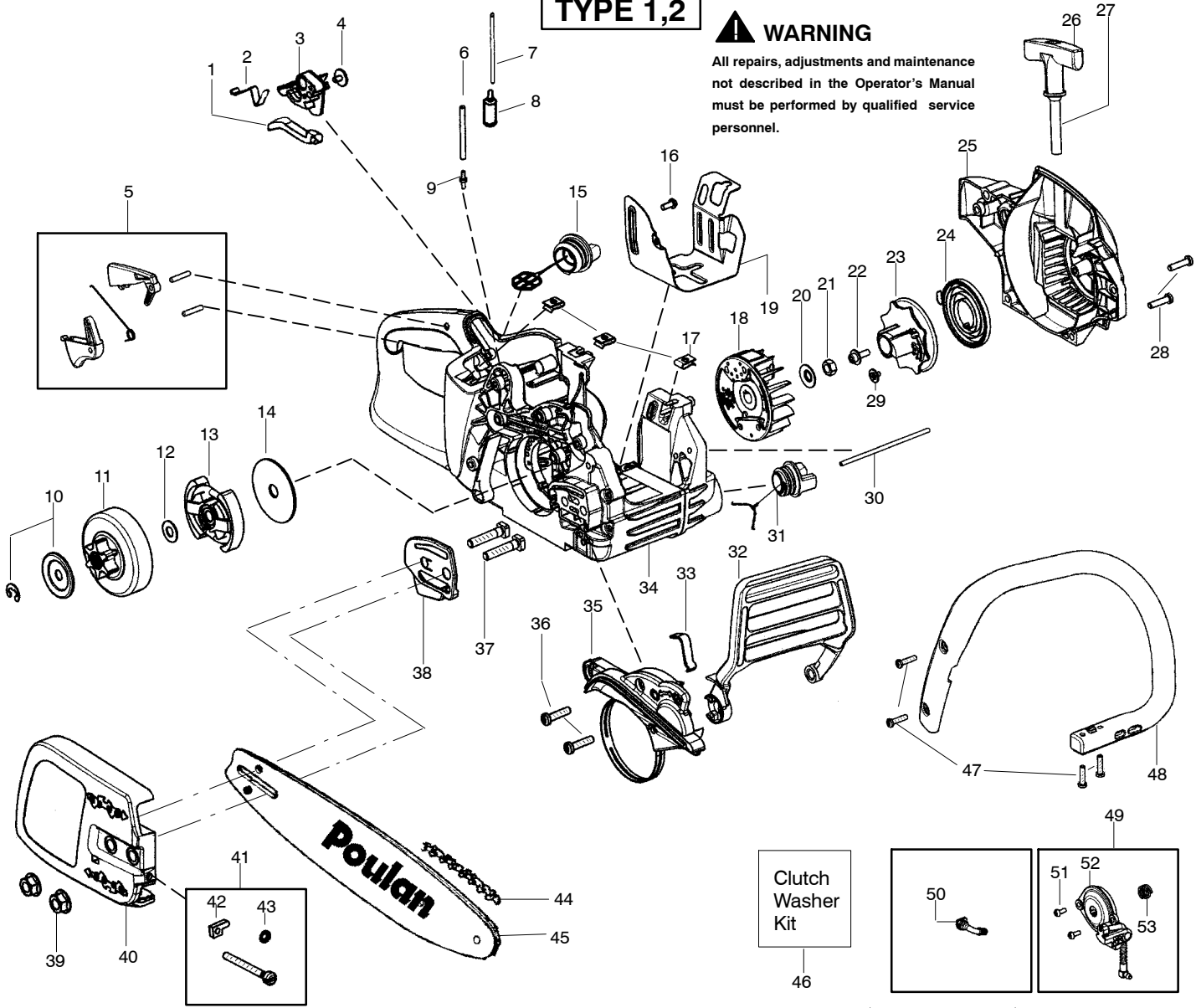


TYPE 1,2

WARNING

All repairs, adjustments and maintenance not described in the Operator's Manual must be performed by qualified service personnel.

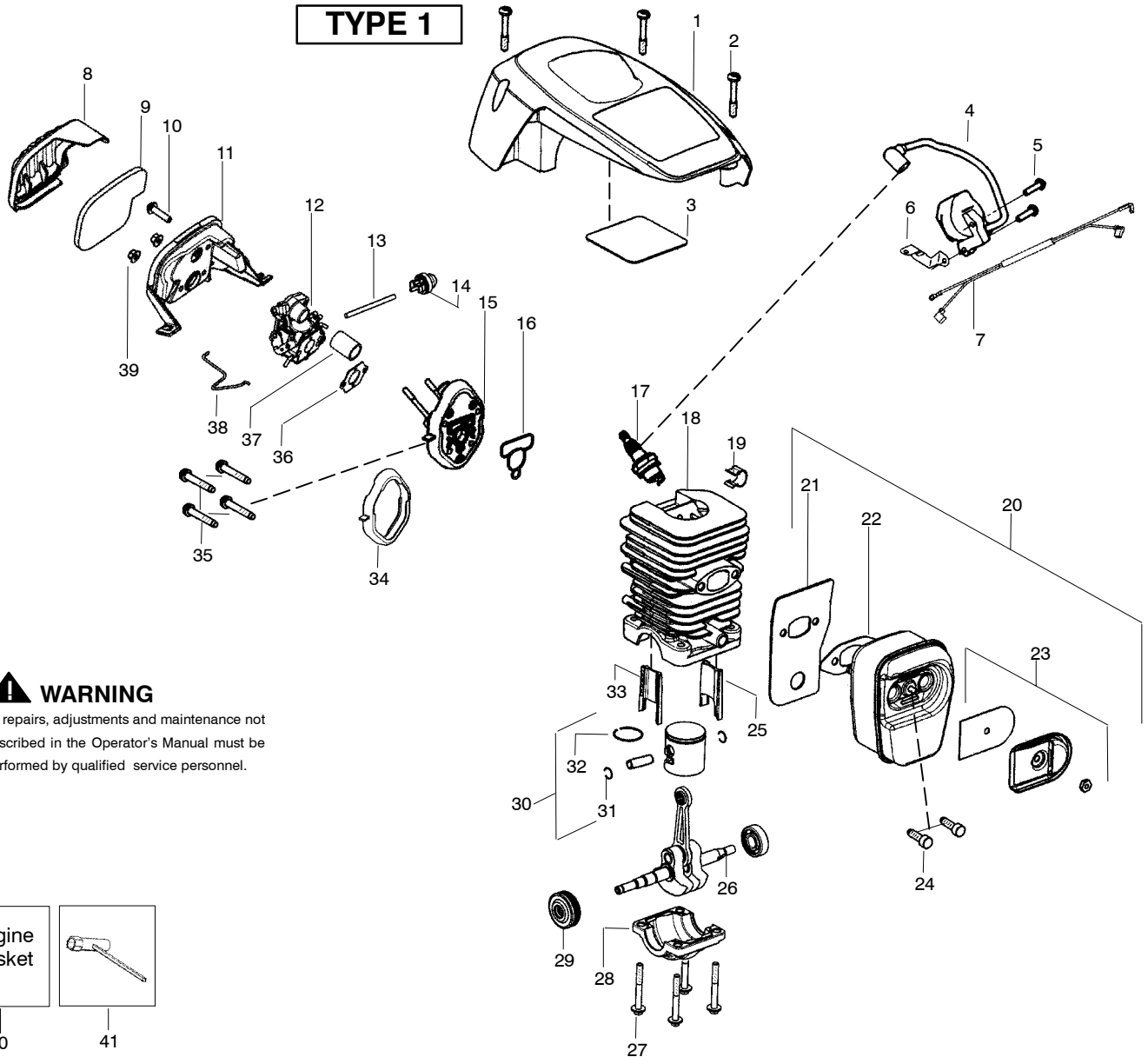


| Ref. | Part No. | Description | Ref. | Part No. | Description | Ref. | Part No. | Description |
|------|-----------|-----------------------|------|-----------|-----------------------------------------------------|------|-----------|---------------------------------|
| 1. | 530057893 | Knob-Choke | 20. | 530015127 | Washer-Flywheel | 40. | 530058939 | Assy-Clutch Cover (Incl. # 41) |
| 2. | 530057908 | Spring-Ign. Switch | 21. | 530016134 | Nut-Flywheel | 41. | 530069611 | Kit-Bar Adjust (Incl. 42,43) |
| 3. | 530057891 | Lever-Ign. Switch | 22. | 530015920 | Screw | 42. | 530015826 | Pin-Bar Adjust |
| 4. | 530016080 | Screw | 23. | 530057890 | Pulley-Starter | 43. | 530038593 | Retainer-Bar Adjust |
| 5. | 530071888 | Kit-Trigger/Lockout | 24. | 530042095 | Spring-Starter | 44. | 952051338 | Accy-18" Chain |
| 6. | 530069216 | Kit-Fuel Line (Large) | 25. | 530058816 | Housing-Fan | 45. | 952044418 | Accy-18" Bar |
| 7. | 530069247 | Kit-Fuel Line (Small) | 26. | 530056402 | Handle-Chassis | 46. | 530071945 | Kit-Clutch Washer (Incl. 10,12) |
| 8. | 530095649 | Assy-Fuel Pick Up | 27. | 530069232 | Kit-Rope | 47. | 530016432 | Screw |
| 9. | 530023877 | Fitting-Fuel line | 28. | 530016432 | Screw | 48. | 530057888 | Handle-Front |
| 10. | 530071945 | Kit-Clutch Washer | 29. | 530016080 | Screw | 49. | 530071891 | Kit-Oil Pump (Incl. 51,52,53) |
| 11. | 530057905 | Assy-Clutch Drum 3/8" | 30. | 530058786 | Assy-Oil Vent | 50. | 530057924 | Assy-Oil Pick Up |
| 12. | 530071945 | Kit-Clutch Washer | 31. | 530057236 | Assy-Oil Cap w/ret. | 51. | 530016064 | Screw |
| 13. | 530057907 | Assy-Clutch | 32. | 530057897 | Handguard | 52. | 530057931 | Assy-Oil Pump |
| 14. | 530016419 | Washer-Large Clutch | 33. | 530016416 | Spring-Handguard | 53. | 530037820 | Gear-Worm |
| 15. | 530047192 | Assy-Fuel Cap w/ret | 34. | 530058863 | Assy-Chassis (Incl. 5,6,7,8,9,15,16,17,19,31,33,37) | | | |
| 16. | 530016064 | Screw | 35. | 530071893 | Kit-Chainbrake | | | |
| 17. | 530015922 | Nut-"U" type speed | 36. | 530016432 | Screw | | | |
| 18. | 530057937 | Assy-Flywheel | 37. | 530016133 | Bolt-Bar | | | |
| 19. | 530057911 | Shield-Heat | 38. | 530057910 | Plate-Bar | | | |
| | | | 39. | 530015917 | Nut-Bar | | | |

✓ = NEW PART NUMBER FOR THIS IPL

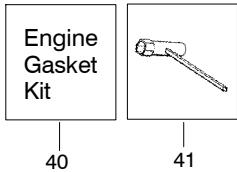
★ = REFER TO THE SERVICE REFERENCE INDICATED FOR MORE INFORMATION. (LOCATED AT END OF IPL)

TYPE 1



⚠ WARNING

All repairs, adjustments and maintenance not described in the Operator's Manual must be performed by qualified service personnel.

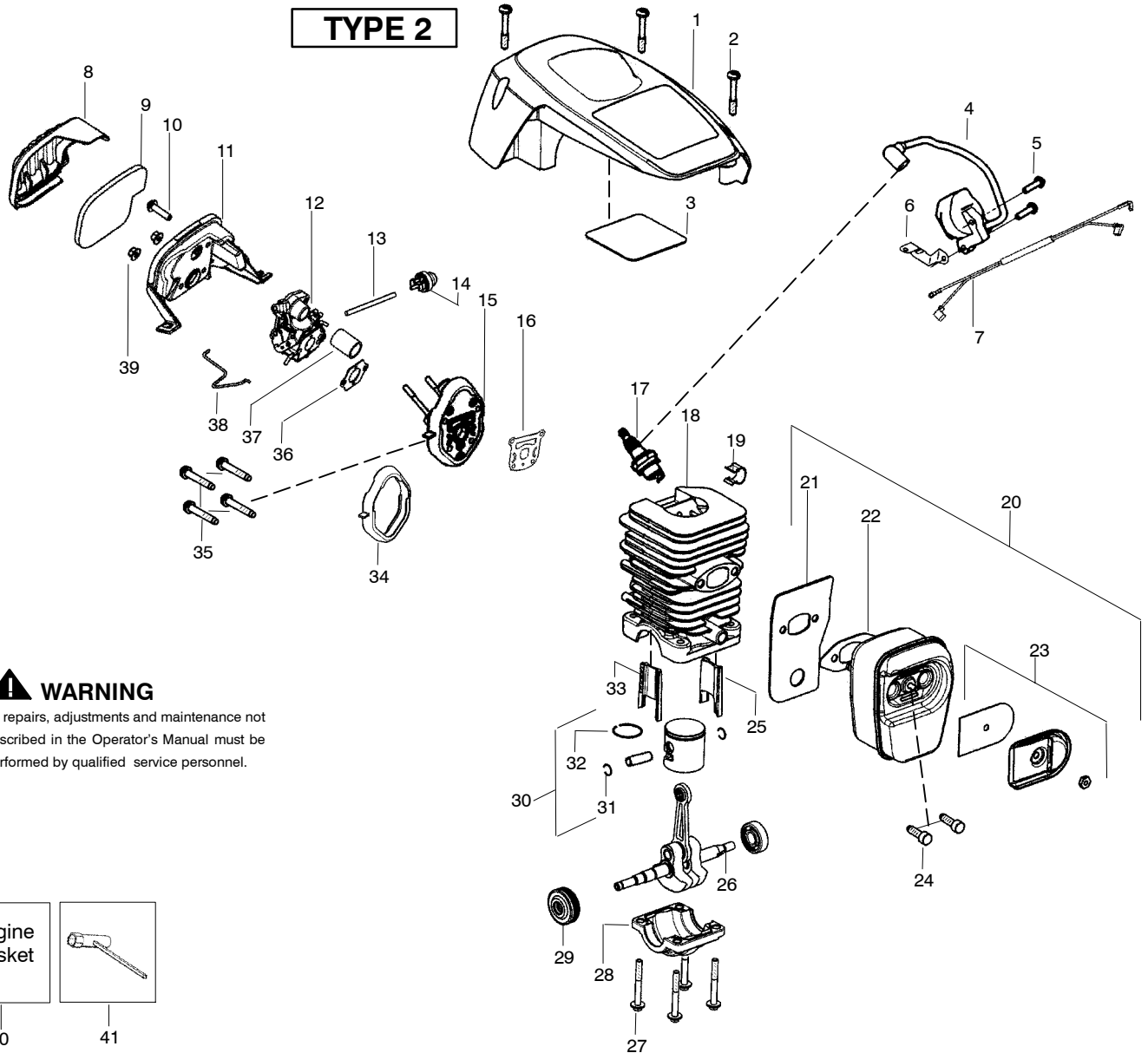


| Ref. | Part No. | Description | Ref. | Part No. | Description | Ref. | Part No. | Description |
|------|-----------|--------------------------------------|------|-----------|------------------------------|-----------|-----------|--------------------------------|
| 1. | 530058838 | Shield-Cylinder (incl. #3) | 16. | 530071894 | Gasket-cyl. o-ring (kit) | 34. | 530071894 | Seal-Adaptor (kit) |
| 2. | 530016153 | Screw | 17. | 952030150 | Accy-Spark Plug (RCJ-7Y) | 35. | 530016426 | Screw |
| 3. | 530059006 | Reflector-Tape | 18. | 530071884 | Kit-Cylinder (Incl. 25,33) | 36. | 530071894 | Gasket-Carb. (kit) |
| 4. | 530039198 | Module - Ignition | 19. | 530016136 | Clip-High Tension Lead | 37. | 530057926 | Tube-Intake |
| 5. | 530016432 | Screw | 20. | 530071887 | Kit-Muffler (Incl. 21-23,24) | 38. | 530057909 | Wire-Throttle |
| 6. | 530047442 | Strap-Ground | 21. | 530057942 | Backplate-Muffler | 39. | 530016101 | Nut-Carb. |
| 7. | 530057943 | Assy-Wire Harness | 22. | 530071894 | Gasket-Muffler (kit) | 40. | 530071894 | Kit-Gasket (Incl. 16,22,34,36) |
| 8. | 530058687 | Cover-Air Filter | 23. | 530071886 | Kit-Spark Arrestor | 41. | 530031163 | Wrench-Bar |
| 9. | 530057925 | Filter-Air | 24. | 530016338 | Bolt-Muffler | | | Not Shown |
| 10. | 530016425 | Screw | 25. | 530057885 | Insert-Left (black) Cyl. | | | |
| 11. | 530057892 | Housing-Air Filter | 26. | 530012537 | Assy-Crankshaft/Rod | | | |
| 12. | --- | Carburetor | 27. | 530016417 | Bolt | | | |
| | 530035590 | Zama W-26 | 28. | 530057941 | Cap-Crankcase | | | |
| 13. | 530069247 | Kit-Fuel Line (Small) | 29. | 530056363 | Assy-Bearing/Seal | | | |
| 14. | 530047721 | Bulb-Purge "snap-in" | 30. | 530071883 | Kit-Piston (Incl. 31,32) | 545047535 | | Manual-Operator |
| 15. | 530071889 | Kit-Carb. Adaptor (Incl. # 16,34,37) | 31. | 530015697 | Retainer-Piston Pin | 530059107 | | Decal-Warning |
| | | | 32. | 530038729 | Ring-Piston | 530058840 | | Decal-Start/Stop Inst. |
| | | | 33. | 530057886 | Insert-Right (gray) Cyl. | | | |

✓ = NEW PART NUMBER FOR THIS IPL

* = REFER TO THE SERVICE REFERENCE INDICATED FOR MORE INFORMATION. (LOCATED AT END OF IPL)

TYPE 2



⚠ WARNING

All repairs, adjustments and maintenance not described in the Operator's Manual must be performed by qualified service personnel.

| Ref. | Part No. | Description | Ref. | Part No. | Description | Ref. | Part No. | Description |
|------|-----------|--------------------------------------|------|-----------|------------------------------|------|-----------|---------------------------------|
| 1. | 530058838 | Shield-Cylinder (incl. #3) | 16. | 530071894 | Gasket-cyl. o-ring (kit) | 34. | 530071894 | Seal-Adaptor (kit) |
| 2. | 530016153 | Screw | 17. | 952030150 | Accy-Spark Plug (RCJ-7Y) | 35. | 530016426 | Screw |
| 3. | 530059006 | Reflector-Tape | 18. | 530071884 | Kit-Cylinder (Incl. 25,33) | 36. | 530071894 | Gasket-Carb. (kit) |
| 4. | 530039198 | Module - Ignition | 19. | 530016136 | Clip-High Tension Lead | 37. | 530057926 | Tube-Intake |
| 5. | 530016432 | Screw | 20. | 545006007 | Kit-Muffler (Incl .21-23,24) | 38. | 530057909 | Wire-Throttle |
| 6. | 530047442 | Strap-Ground | 21. | 530057942 | Backplate-Muffler | 39. | 530016101 | Nut-Carb. |
| 7. | 530057943 | Assy-Wire Harness | 22. | 530071894 | Gasket-Muffler (kit) | 40. | 530071894 | Kit-Gasket (Incl . 16,22,34,36) |
| 8. | 530058687 | Cover-Air Filter | 23. | 545006056 | Kit-Spark Arrestor | 41. | 530031163 | Wrench-Bar |
| 9. | 530057925 | Filter-Air | 24. | 530016338 | Bolt-Muffler | | | Not Shown |
| 10. | 530016425 | Screw | 25. | 530057885 | Insert-Left (black) Cyl. | ↙ | 545186804 | Manual-Operator |
| 11. | 530057892 | Housing-Air Filter | 26. | 530012537 | Assy-Crankshaft/Rod | | 530059107 | Decal-Warning |
| 12. | --- | Carburetor | 27. | 530016417 | Bolt | | 530058840 | Decal- Start/Stop Inst. |
| | 530035590 | Zama W-26 | 28. | 530057941 | Cap-Crankcase | | | |
| 13. | 530069247 | Kit-Fuel Line (Small) | 29. | 530056363 | Assy-Bearing/Seal | | | |
| 14. | 530047721 | Bulb-Purge "snap-in" | 30. | 530071883 | Kit-Piston (Incl. 31,32) | | | |
| 15. | 530071889 | Kit-Carb. Adaptor (Incl. # 16,34,37) | 31. | 530015697 | Retainer-Piston Pin | | | |
| | | | 32. | 530038729 | Ring-Piston | | | |
| | | | 33. | 530057886 | Insert-Right (gray) Cyl. | | | |

↙ = NEW PART NUMBER FOR THIS IPL

* = REFER TO THE SERVICE REFERENCE INDICATED FOR MORE INFORMATION. (LOCATED AT END OF IPL)