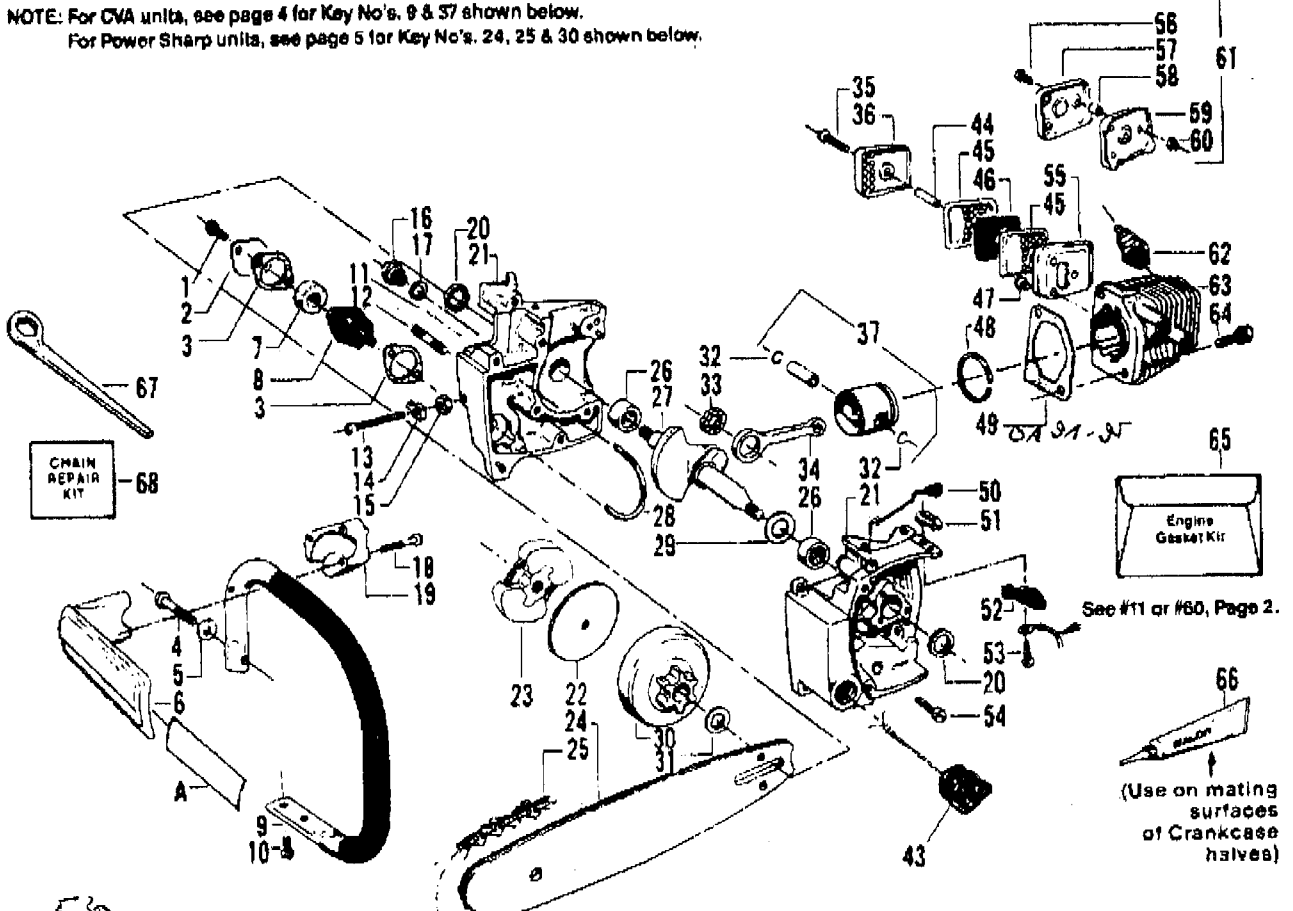


PARTS LIST NO. <b>64572 - 9/1/85</b>		<b>POULAN® PARTS LIST</b>	<b>CHAIN SAW: MICRO XXV Series</b>
PAGE 3 of 8	REPLACE 64572 - 9/1/84		

NOTE: For CVA units, see page 4 for Key No's. 9 & 37 shown below.  
For Power Sharp units, see page 5 for Key No's. 24, 25 & 30 shown below.



KEY NO.	PART NO.	QTY.	DESCRIPTION	KEY NO.	PART NO.	QTY.	DESCRIPTION	KEY NO.	PART NO.	QTY.	DESCRIPTION
1	15176	2	Screw - 8 - 32 x 1/2	25	—	1	Chain	56	24202	1	Cover - Muffer (Optional)
2	23802	1	Cover Mating Body	26	51188	—	10" (P101S-40)	80	15332	3	Locking Nut 8 - 32 (Optional)
3	18091	2	Gasket - Oil Pump Mating Body	27	51191	—	12" (P101S-45)	61	10258	1	Cover & Shield Assy. (Incl. 56-62) (Optional)
4	1844	1	Screw - 1/4 - 20 x 1-1/4 Hex Bolt	28	51193	—	14" (P101S-52)	62	30005	1	Spark Plug C-4-6
5	15151	1	Washer - Handlever Top	29	51195	—	18" (P101S-58)	63	12084	1	Cylinder
6	24091	1	Handguard	30	32058	1	Bearing Crankshaft	64	15239	2	Screw - 1/4 - 20 x 3/4 Socket Head
7	23801	1	Filter - Oil Metering Body Assy.	31	22172	1	Crankshaft	65	69022	1	Engine Gasket Kit (*Indicates Contents)
8	10195	1	Handlever	32	21028	1	Line - Oil Discharge (Bulk #8133)	66	52073	1	Chain Repair Kit
9	—	1	Handlever Assy. - 12"	33	23887	1	Thrust Washer - Crankshaft	DECAL	—	—	Decal - Kickback
10	22222	—	Assy. - 14"	34	48032	1	Sprocket & Drum	A	25631	1	
11	22189	—	Assy. - 14"	35	29519	1	Spacer - Clutch (Inside)				
12	16037	2	Screw - 10 - 24 x 5/8 Hex w/Head	36	23843	2	Ring - Piston Pin Retainer				
13	23792	1	Pin - Oil Tank Vent	37	22156	1	Connecting Rod				
14	15249	1	Stud Bar	38	15189	1	Screw - 10 - 24 x 1-7/16				
15	15236	1	Screw - Bar Adj.	39	23795	1	Cover - Muffer				
16	23492	1	Pin - Bar Adj.	40	10587	1	Piston Kit (Incl. #32)				
17	15135	1	Lock Nut 8 - 32	41	10221	1	Oil Cap Assy. (Incl. O-Ring)				
18	69142	1	Check Valve Kit - Oil Tank Pressure (Incl. #17)	42	23535	1	Spacer - Muffer Cover				
19	18089	1	Gasket - Check Valve	43	23797	2	Baffle - Muffer				
20	15318	3	Screw - Plastic	44	23799	1	Screen - Spark Arrestor				
21	24049	1	Cap - Handguard	45	1868	2	Screw - 10 - 24 x 1/2 Fil. Head				
22	19056	2	Seal - Crankcase	46	23780	1	Piston Ring				
23	10194	1	Crankcase Assy. (Incl. #20 & 26)	47	18009	1	Basket - Cylinder				
24	80197	1	Clutch Washer Kit - See Service Ref. 3	48	23788	1	Knob Assy.				
25	—	1	Kit Clutch Assy (Incl. Washer) - See Service Ref. 3	49	23786	1	Ramp - Kick Switch				
26	—	1	Guide Bar	50	23787	1	Clamp - Switch				
27	44199	—	10" Non - Armor Tip 1/2" x 1/2"	51	15238	7	Screw - 8 - 32 Tapping				
28	44192	—	10" Sprocket Nose 1/2" x 1/2"	52	15238	7	Screw - 10 - 24 x 1/16 Phillip Pan Hd.				
29	44201	—	12" Non - Armor Tip 1/2" x 1/2"	53	23794	1	Body - Muffer				
30	44193	—	12" Sprocket Nose 1/2" x 1/2"	54	15333	3	Screw - Hex Slotted 8 - 32 x 7/16 (Optional)				
31	44194	—	14" Sprocket Nose 1/2" x 1/2"	55	24201	1	Heat Shield (Optional)				
32	44196	—	16" Sprocket Nose	56	15331	3	Spacer - Cover (Optional)				

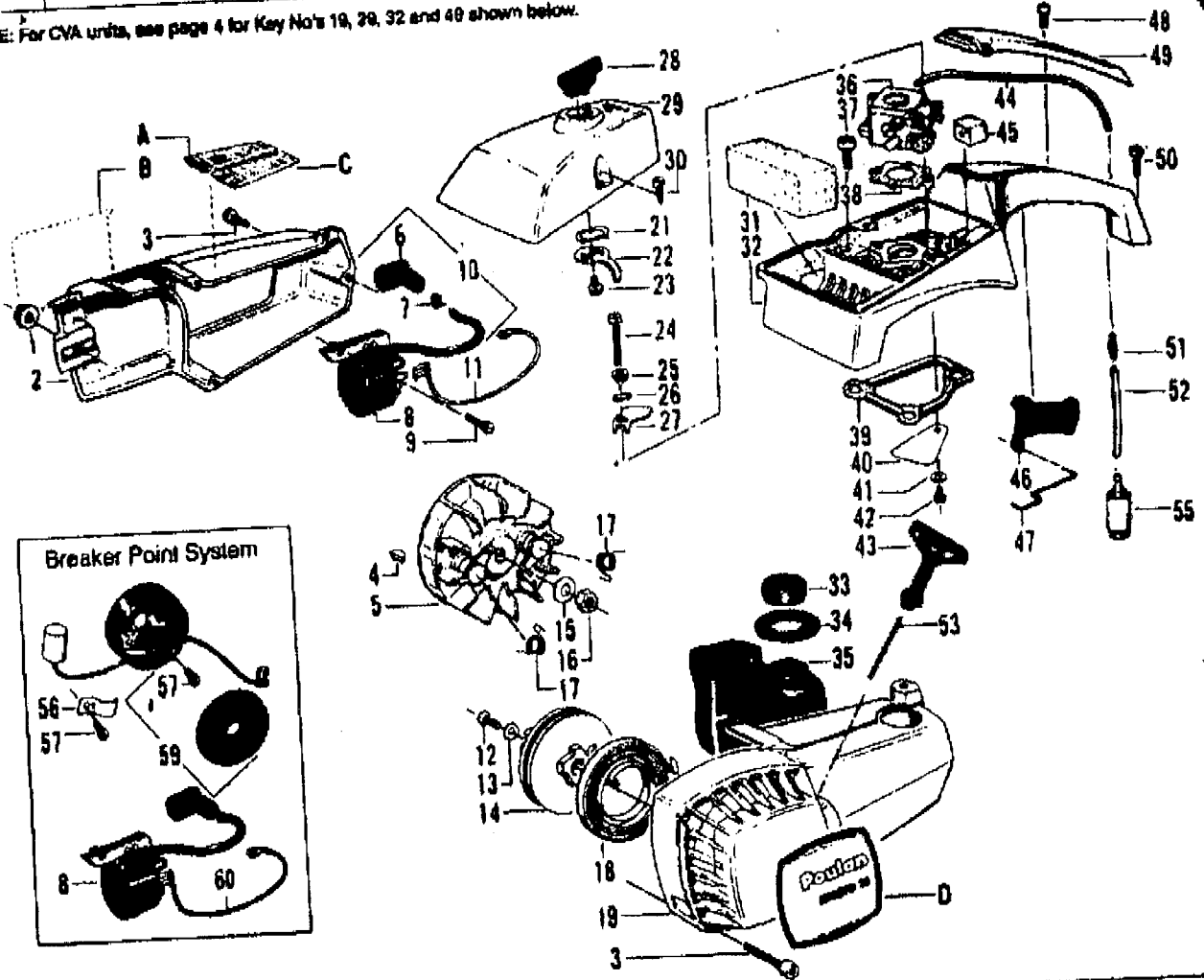
(\*) Indicates Contents of Gasket Kit #69022  
\*\*\*\*\* See Service Reference  
Key No's Excluded: #36-42

30 / 530 06 9A - 66

16 = 530069142

PARTS LIST NO. <b>64572 - 8/1/85</b>	<b>POULAN® PARTS LIST</b>	<b>CHAIN SAW: MICRO XXV Series</b> <i>Super Auto</i>
PAGE 2 of 8	REPLACES 64572 - 8/1/84	

NOTE: For CVA units, see page 4 for Key No's 19, 29, 32 and 40 shown below.



KEY NO.	PART NO.	QTY.	DESCRIPTION	KEY NO.	PART NO.	QTY.	DESCRIPTION	KEY NO.	PART NO.	QTY.	DESCRIPTION
1	11576	1	Nut - Bar Mounting	18	42023	1	Spring Starter	44	21025	1	Fuel Line (Bulk No 6133)
2	11311	1	Bar Clamp	19	11316	1	Fin Housing	45	23073	1	Body - Throttle Wire
3	89199	1	Kit - Fin Housing Screws	21	15147	1	Wash Washer	46	23904	1	Trigger Throttle
4	15126	1	Key - Flywheel	22	23608	1	Lever - Choker	47	23903	1	Wire Throttle
5	—	1	Flywheel Assy (incl. #17)	23	15407	1	Screw - 8 - 32 x 5/8 Hex Head	48	15247	1	Screw - No. 8 x 1/4 PHSP
6	39077	1	Breaker Point Module - Solid State Models	24	15246	2	Screw - 10 - 24 x 1/2 Hex Head	49	23774	1	Pin Hd.
7	39333	1	Boot Spark Plug	25	23995	1	Spacer - Choke Shutter	50	15141	1	Cover Handle
8	39334	1	Connector - Spark Plug	26	15254	1	Wash Washer	51	23877	1	Screw - 1/4 - 20 x 1/4
9	39078	1	Ignition Module	27	39396	1	Shutter Choke	52	21004	1	Pinng Fuel Line
10	—	1	Coil Assy - Breaker Point Module (incl. #90)	28	23907	1	Choke Knob	53	—	1	Line Fuel Pickup (Bulk No. 6133)
11	89207	1	Kit Block - Solid State Models (incl. #10 & #11)	29	23776	1	Cover - Carburetor	54	22286	1	Rope (3 ft.)
12	15128	2	Screw - 8 - 32 x 1/4 Fl. Hd. Sems	30	15169	2	Screw - 10 - 24 x 5/8 Fl. Head	55	91879	1	Fuel Pickup Assy
13	39082	1	Lead Assy - Spark Plug (incl. # 8 & 7)	31	23781	1	Air Filter	56	30053	1	Clamp - Connector
14	39115	1	Lead - Switch	32	25228	1	Handle & Carburetor Housing	57	15008	3	Screw - 8 - 32 x 5/8
15	16036	1	See Service Part 3	33	19729	1	Cap - Fuel Tank	58	39079	1	Breaker Point Assy
16	15428	1	Screw - 10 - 24 x 1/2 Hex Head	34	18068	1	Seal Fuel Tank Neck	60	39081	1	Lead - Switch
17	23817	2	Washer - Flywheel	35	10776	1	Fuel Tank	DECALS			
			See Service Part 3	36	See page 1	1	Carburetor	A	24795	1	Decal Instruction (Right Hand)
			See Service Part 3	37	15242	3	Screw - 1/4 - 20 x 1/16	B	23823	1	Decal - Bar Clamp - 10"
			See Service Part 3	38	19045	1	Gaslet - Carburetor	C	25185	1	Decal Instruction (Left Hand)
			See Service Part 3	39	19118	1	Gaslet Carburetor Housing	D	23022	1	Decal - Fin Housing - 17"
			See Service Part 3	40	23398	1	Reed Valve				
			See Service Part 3	41	23287	1	Washer Reed Valve				
			See Service Part 3	42	15241	1	Screw No. 8 x 5/8 PHSP				
			See Service Part 3	43	28735	1	Pin Head				
			See Service Part 3				Handle - Starter				

(\*) Indicates Contents of Gaslet Kit (60022)  
 - - - Part Change  
 Key No's Enclosed: 620, 54 & 58

14) 530 06 92 88

**POULAN® PARTS LIST**

**CHAIN SAW:  
MICRO XXV  
Series**

PARTS LIST NO.  
**64572 - 9/1/85**

PAGE 1 of 8 REPLACES **64572 - 9/1/84**

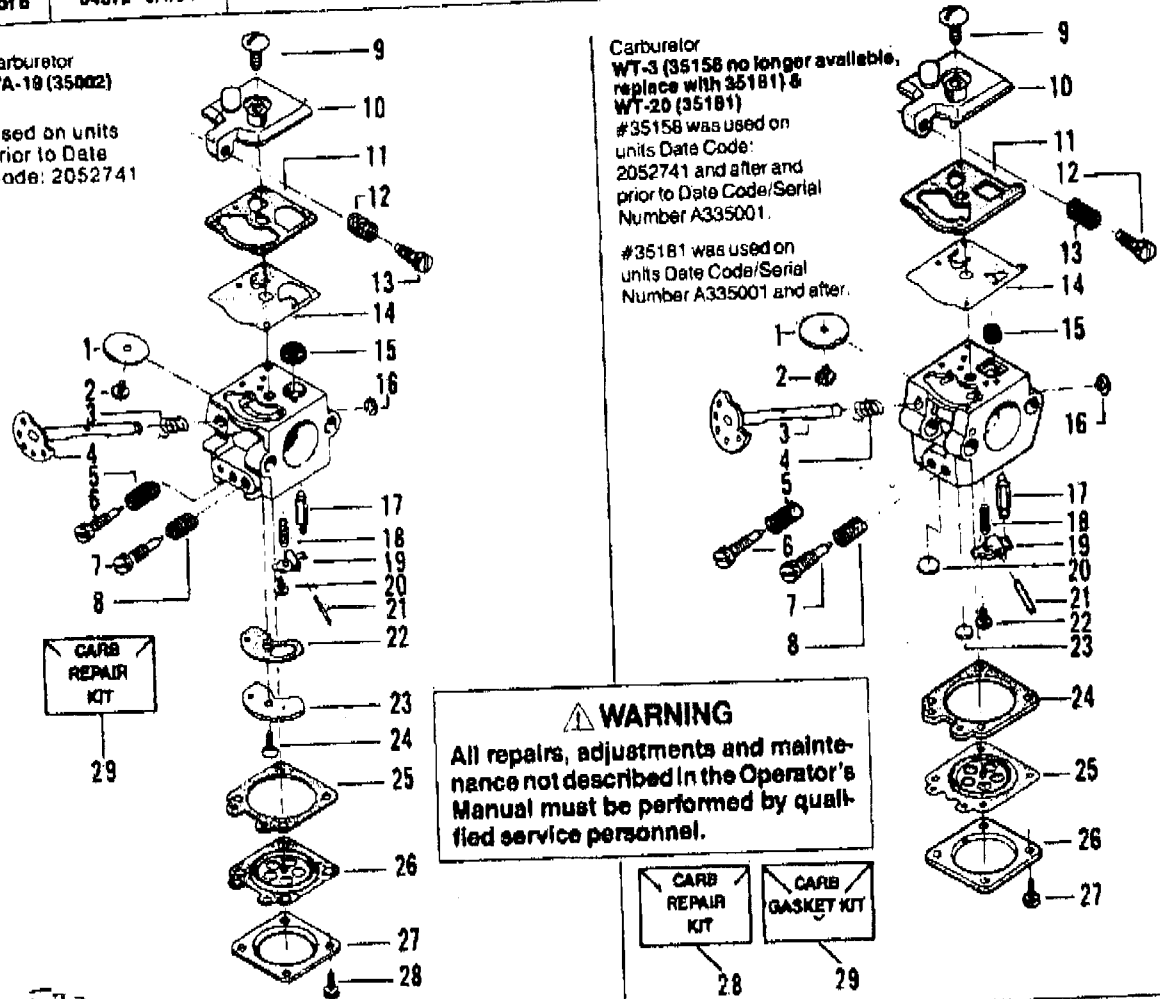
Carburetor  
WA-19 (35002)

Used on units  
prior to Date  
Code: 2052741

Carburetor  
WT-3 (35158 no longer available,  
replace with 35181) &  
WT-20 (35181)

#35158 was used on  
units Date Code:  
2052741 and after and  
prior to Date Code/Serial  
Number A335001.

#35181 was used on  
units Date Code/Serial  
Number A335001 and after.



**WARNING**

All repairs, adjustments and maintenance not described in the Operator's Manual must be performed by qualified service personnel.

530

KEY NO.	PART NO.	DESCRIPTION
1	35006	Shutter-Throttle
2	35015	Screw-Throttle Valve
3	35024	Spring-Throttle Return
4	35034	Shaft-Throttle
5	35023	Spring-Idle Needle
6	35039	Needle-Idle Adj.
7	35063	Needle-High Speed Adj.
8	35036	Spring-High Speed Needle
9	35017	Screw-Pump Cover
10	35033	Cover-Fuel Pump
11	35009	Gasket-Fuel Pump
12	35188	Spring-Idle Adj. Screw
13	35034	Screw-Idle Adj.
14	35135	Diaphragm-Fuel Pump
15	35027	Screen-Inlet
16	35007	Clip-Throttle Shaft
17	35008	Valve-Inlet Needle
18	35047	Spring-Metering Lever
19	35031	Lever-Metering
20	35018	Screw-Metering Lever Pin
21	35028	Pin-Metering Lever
22	35012	Gasket-Circuit Plate
23	35042	Plate-Circuit
24	35137	Screw-Circuit Plate
25	35011	Gasket-Metering Diaphragm
26	35014	Diaphragm-Metering
27	35003	Cover-Metering Diaphragm
28	35021	Screw-Assembly Metering Cover
29	35049	Kit-Carb. Repair (includes parts marked*)

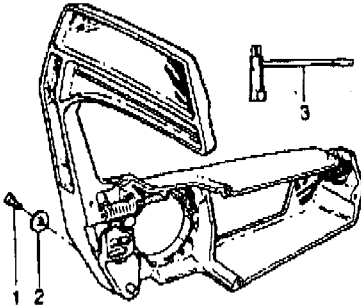
KEY NO.	PART NO.	DESCRIPTION
1	35006	Valve-Throttle
2	35015	Screw-Throttle Valve
3	35034	Shaft-Assembly-Throttle
4	35024	Spring-Throttle Return
5	35023	Spring-Low Speed Mixture Needle
6	35171	Needle-Low Speed Mixture
7	35188	Needle-High Speed Mixture
8	35187	Spring-High Speed Mixture Needle
9	35017	Screw-Pump Cover
10	35189	Cover-Fuel Pump
11	35164	Gasket-Fuel Pump
12	35035	Screw-Idle Speed Adjusting
13	35188	Spring-Idle Speed Adjustment Screw
14	35166	Diaphragm-Fuel Pump
15	—	Screen-Fuel Inlet
	35172	WT-3 (# 35158)
	35027	WT-20 (# 35181)
16	35007	Ring-Throttle Retainer
17	35008	Valve-Inlet Needle
18	35139	Spring-Metering Lever
19	35031	Lever-Metering
20	35182	Plug-5/16 Dia. Welch
21	35028	Pin-Metering Lever
22	35015	Screw-Metering Lever Pin
23	35183	Pin-Metering Lever
24	35185	Gasket-Metering Diaphragm
25	35014	Diaphragm-Metering
26	35003	Cover-Metering Diaphragm
27	35021	Screw-Assembly Metering Cover
28	35181	Kit-Carb. Repair (includes parts marked*)
29	35173	Kit-Carb. Gasket Diaphragm (includes parts marked+)

\* - Part changes

PARTS LIST NO. <b>64572 - 9/1/85</b>		<b>POULAN® PARTS LIST</b>	<b>CHAIN SAW: MICRO XXV Series</b>
PAGE 5 of 6	REPLACES 64572 - 9/1/84		

**CHAIN BRAKE SYSTEM**

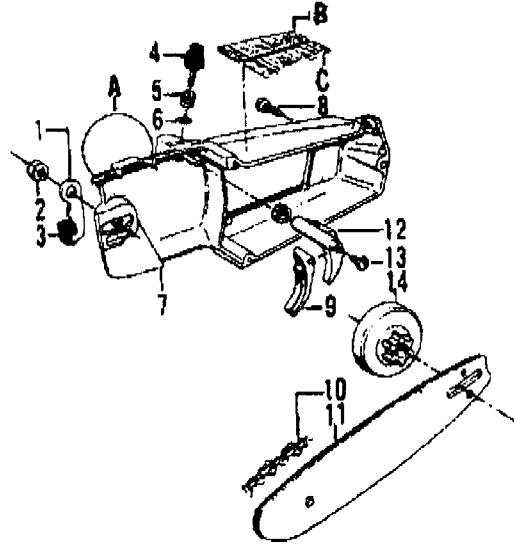
✓ #69201



Ref. No.	Part No.	Qty.	Description
1	15321	1	Screw
2	15123	1	Washer
3	31094	1	Scrench
—	15445	1	Nut - Bar Mounting (Not Shown)
—	26918	1	Decal - Bar Clamp (Not Shown)

**⚠ WARNING:** The effectiveness of a chain brake in reducing operator injuries has not yet been fully determined. Therefore, Beard-Poulan cannot represent that a chain brake is an effective safety device to prevent or reduce the hazard of injuries resulting from kickback. **DO NOT ASSUME THAT THE CHAIN BRAKE WILL PROTECT YOU IN THE EVENT OF A KICKBACK.** Instead, use the saw properly and carefully to avoid kickback. Proper operation is outlined in the Operator's Manual. Repairs on a chain brake must be made by qualified service personnel. Take your unit to the place of purchase if purchased from a servicing dealer, or to the nearest Authorized Master Service Dealer, or nearest Skill Service Center.

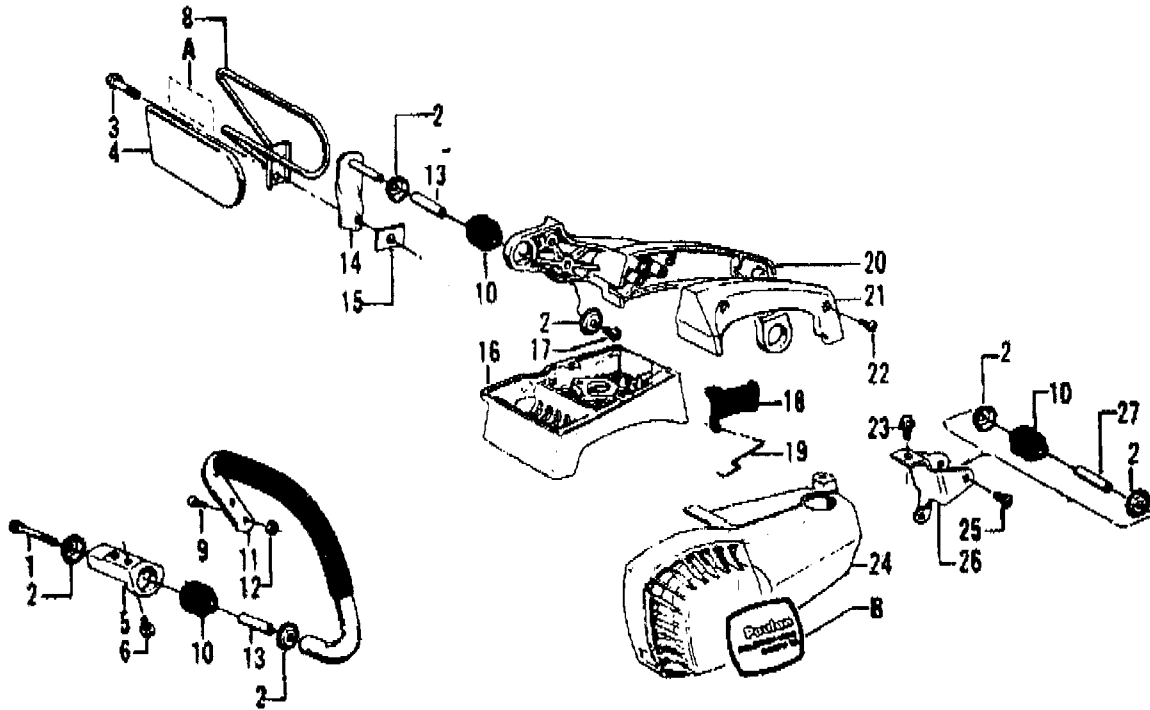
**POWER SHARP SYSTEM**



KEY NO.	PART NO.	QTY.	DESCRIPTION
1	25257	1	Lever Chain Adj.
2	15303	1	Nut Bar Mounting
3	23784	1	Knob-Chain Adj.
4	23789	1	Knob-Sharpening
5	23762	1	Spring
6	23761	1	Washer
7	11311	1	Bar Clamp
8	15163	1	Screw-10-24x7/8
9	22166	1	Stone & Carrier Assy.
10	—	1	Chain
—	51175	—	14"
—	51234	—	16"
11	—	1	Bar and Pin Assy.
—	44172	—	14"
—	44204	—	16"
12	22187	1	Arm-Assy-Sharpening Stone
13	15227	1	Screw-10-24x1/4
14	48067	1	Sprocket & Drum
<b>DECALS</b>			
A	25157	1	Decal-Bar Clamp
B	24785	1	Decal-Instruction (right half)
C	26185	1	Decal-Instruction (left half)

PARTS LIST NO. <b>64572-9/1/85</b>		<b>POULAN® PARTS LIST</b>	<b>CHAIN SAW: MICRO XXV Series</b>
PAGE 4 of 5	REPLACES 64572-9/1/84		

**CVA SYSTEM**



530...

KEY NO.	PART NO.	QTY.	DESCRIPTION	KEY NO.	PART NO.	QTY.	DESCRIPTION
1	15338	1	Screw 1/4-20x1-3/4 Hex Socket Head	✓16	26158	1	Carburetor Housing
2	26163	6	Cup-Isolator-See Service Reference 1	17	15129	1	Screw-8-32x9/16 Pan Hd. Tapite
3	1648	1	Screw 1/4-20x1-1/8 Hex Head	18	24803	1	Trigger-Throttle
4	24582	1	Sleeve-Handguard	18	24250	1	Wire-Throttle
5	11612	1	Bracket-Isolator Mtg.	✓20	11885	1	Rear Handle
6	15007	2	Screw 10-24x5/8 Hex Washer Head	21	11682	1	Cover-Rear Handle
8	24581	1	Handguard (incl. 44)	22	15411	2	Screw-#8-32x9/16 Pan Hd. Tapite
9	15392	2	Screw 10-32x1-1/4 Socket Head	23	15426	1	Screw-1/4-20x1/2 Hex Cap
10	24256	3	Isolator	24	11503	1	Fan Housing
11	22186	1	Handlebar Assy	25	15129	2	Screw 8-32x7/16 Pan Head
12	1720	2	Locknut-# 10-32 Hex	26	11753	1	Bracket-Isolator Mtg. Rear
13	15342	2	Spacer-Isolator	27	15343	1	Spacer-Rear Isolator
14	11615	1	Front Bracket & Spindle Assy.	DECALS			
16	24317	1	Pad-Isolator	✓A	25631	1	Decal-Kickback Warning
				B	25248	1	Decal-Fan Housing

Key No. 5 Excluded #7

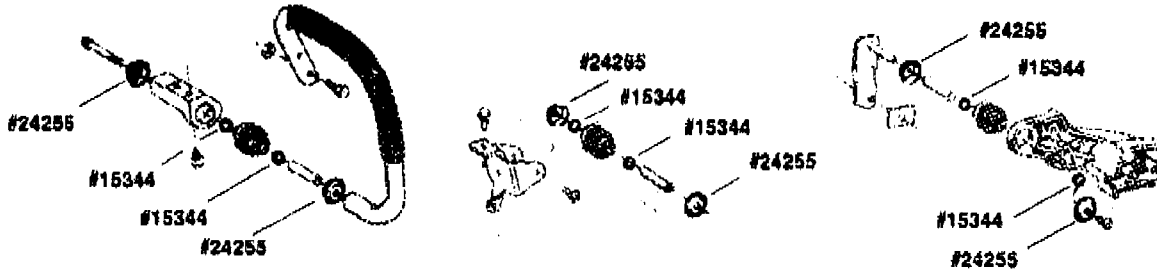
✓ Part Change

PARTS LIST NO. <b>64572 - 8/1/85</b>		<b>POULAN® PARTS LIST</b>	<b>CHAIN SAW: MICRO XXV Series</b>
PAGE 6 of 8	REPLACES 64572 - 8/1/84		

SERVICE REFERENCES

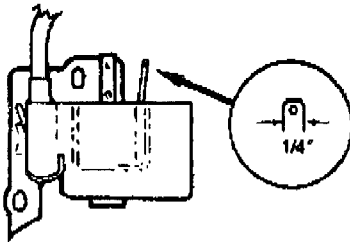
**1. Isolator Cup — page 4**

The new isolator cup, Part No. 26163, is constructed to be used without the isolator ring as shown on page 4 (Key No. 2).  
The old isolator cup, Part No. 24255, requires isolator ring, Part No. 15344, as shown below:

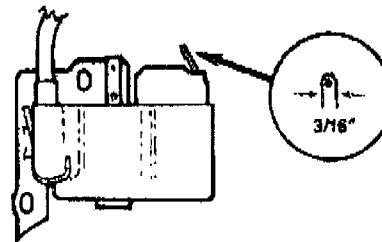


**2. Lead — Switch — page 2.**

Determine whether the ignition module requires a lead with a 3/16" or a 1/4" flag terminal by measuring the width of the tab on the module. For a lead with a 1/4" flag terminal, order Part No. 24158. For a lead with a 3/16" flag terminal, order Part No. 39116.



Order Lead #24158



Order Lead #39116

**3. Kit - Clutch Assembly (Part No. 69193) — page 3.**

Clutch Tool, Part No. #31112 must be used to remove the current style clutch (Clutch Assembly Kit, Part No. 69193) to avoid damage to the clutch. Do not use a punch or hammer or strike the clutch with any instrument. Clutch Tool, Part No. 31085 should be used to remove the earlier style clutches.



USE  
CLUTCH TOOL  
#31112

CURRENT STYLE CLUTCH

#69193

530 06 91 93



USE  
CLUTCH TOOL  
#31085

EARLIER STYLE CLUTCH

Order the Poulan® Brand Service Manual (Part #6600) and the Weed Eater® Brand Service Manual (Part #64687) for the latest service information. Both contain information for servicing individual products including Service Procedure Manuals, Service Bulletins, Master Parts Price Lists, and a complete file of Illustrated Parts Lists.