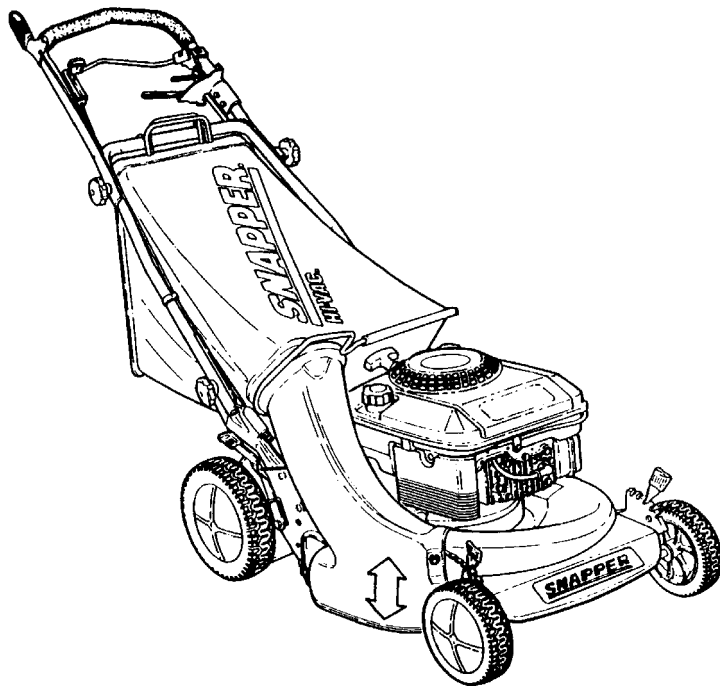


Parts Manual for
SNAPPER[®]

**21" STEEL DECK WALK BEHIND MOWER
SERIES 9**

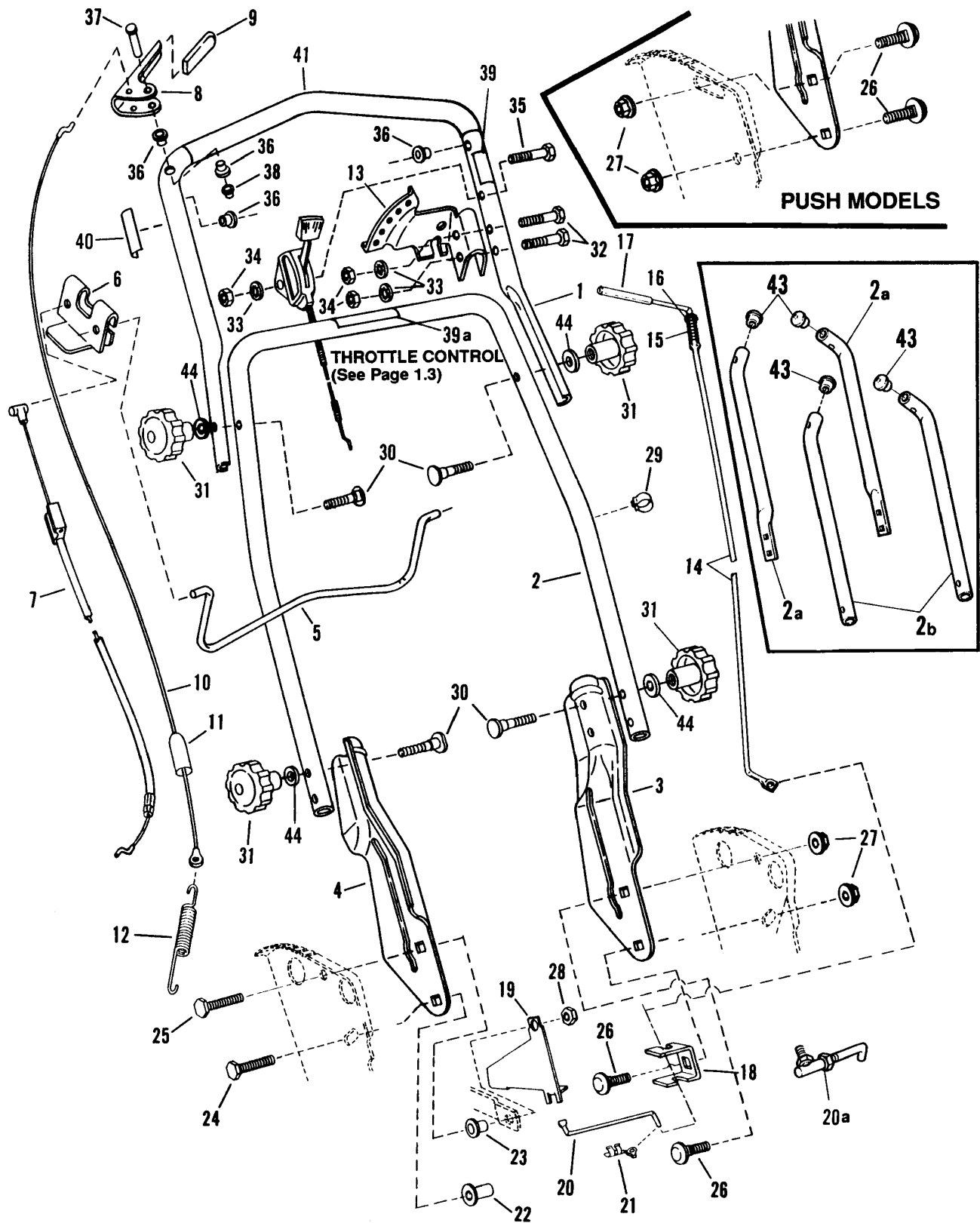


PUSH MODELS	PROPELLED MODELS
21509B 21509T2 D21509B OD21359B R21409B	DP21409B EP21509B EP21509BE ODP21379B P21509B P21509BE P21509T2 P21559BV RP21409B RP21509B RP21559BV

SNAPPER McDonough, GA, 30253 U.S.A.

PAGE	GROUP
4	Handles & Controls
8	Cutting Deck, Blade, Interlock
12	Front Bracket, Latches
14	Rear Wheels, Brackets, Latches
16	Front Wheels
18	Rear Wheels
20	Drive System, Self Propelled (Part I)
24	Drive System, Single Speed (Part II)
26	Transmission (Differential)
28	Throttle Controls (92 Models Series 9)
30	Engine Specifications
32	Decals (Part I)
34	Decals (Part II)
36	Side Chute, Adapter
38	Grass Bag Accessory
40	Crossbar Kit
42	Recycling Kits For 4HP & Above Engines
44	Recycling Kits For Below 4 HP Engines
46	Snapperizer Accessory
48	Thatcherizer Accessory
50	Electric Start Accessory

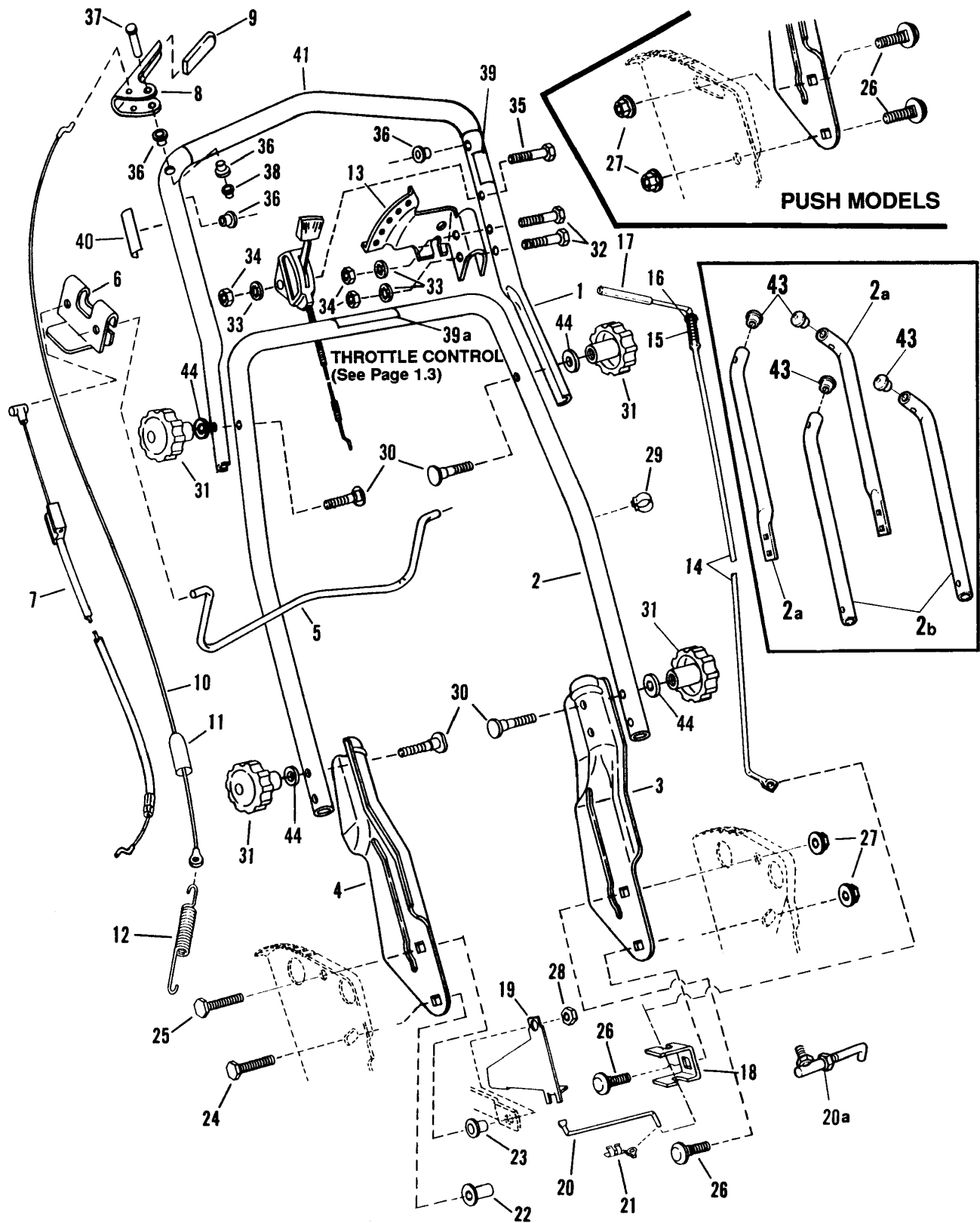
Handles & Controls



Handles & Controls

Item	Part No	Qty	Description	Note
1	7074384		HANDLE, Upper	<i>Was 33473 (Used On Push)</i>
	7033477		HANDLE, Upper	<i>Was 33474, For "O" models only</i>
	7035252		HANDLE, Upper	<i>Used on Self Propelled</i>
	7033477		HANDLE, Upper	<i>Used on S.P. "O" models</i>
2	7036350		HANDLE, Middle	<i>Used on all except "O" models</i>
2A	7033406		HANDLE, Middle	<i>Used on push "O" models</i>
2B	7024646		HANDLE, Middle	<i>Used on S.P. "O" models</i>
3	7046502		HANDLE, Lower L.H.	<i>Was 38467, Used on all except "O" models</i>
4	7035342		HANDLE, Lower R.H.	<i>Was 38466, Used on all except "O" models</i>
5	7017072		CONTROL, Blade	
6	7033904		CLIP, Blade Control	<i>Was 32829</i>
7	7024144		CABLE, Blade Control, 45.45" Overall length	<i>Used on Briggs</i>
	7016707		CABLE, Blade Control, 48.65" Overall length	<i>Used on Briggs O" models</i>
	7016709		CABLE, Blade Control, 63.42" Overall length	<i>Used on Tecumseh</i>
8	7032826		HANDLE, Wheel Drive	<i>Used on Self Propelled</i>
9	7014307		GRIP, Wheel Drive Handle	<i>Used on Self Propelled</i>
10	7023134		CABLE, Clutch Pull (Z-Bend) 36.06"	<i>Used on Self Propelled</i>
11	7012121		COVER, Vinyl	<i>Part of item 10</i>
12	7012122		SPRING, Clutch	<i>Used on Self Propelled</i>
13	7038478		SECTOR, Speed	<i>Used on Self Propelled</i>
14	7023795		LEVER, Speed Control	<i>Used on Self Propelled</i>
15	7012093		SPRING, Speed Control	<i>Used on Self Propelled</i>
16	7090188		WASHER, 3/8" Flat	
17	7023801		GRIP, Speed Control Handle	<i>Used on Self Propelled</i>
18	7032830		ANCHOR, Speed Control	<i>Used on Self Propelled</i>
19	7032408		GUIDE, Lower V-Belt	<i>Used on Self Propelled</i>
20	7023790		ROD, Transfer	<i>Used on S. P. (Non-Euro)</i>
20A	7051698		ASSEMBLY, Transfer Rod	<i>Used on S. P. (Euro)</i>
21	7010937		CLIP, Transfer Rod	<i>Used on Self Propelled</i>
22	7090895		TEE-NUT, 5/16-18	<i>Used on Self Propelled</i>
23	7012114		BUSHING, Differential	<i>Used on Self Propelled</i>
24	7090595		BOLT, 5/16-18 x 5/8" Carriage, Grade 5	
25	7090238		CAPSCREW, 5/16-24 x 1", Grade 5	<i>Used on Self Propelled</i>
26	7090799		BOLT, 5/16-18 x 5/8" Carriage, Grade 5	<i>Was 91026</i>
27	7091601		NUT, 5/16-18 Hex Flange Lock, Grade 5	<i>Was 90585</i>
28	7090222		NUT, 5/16-24 Hex Center Lock	<i>Used on Self Propelled</i>
29	7023813		CLIP, Cable Wiring	

Footnotes:

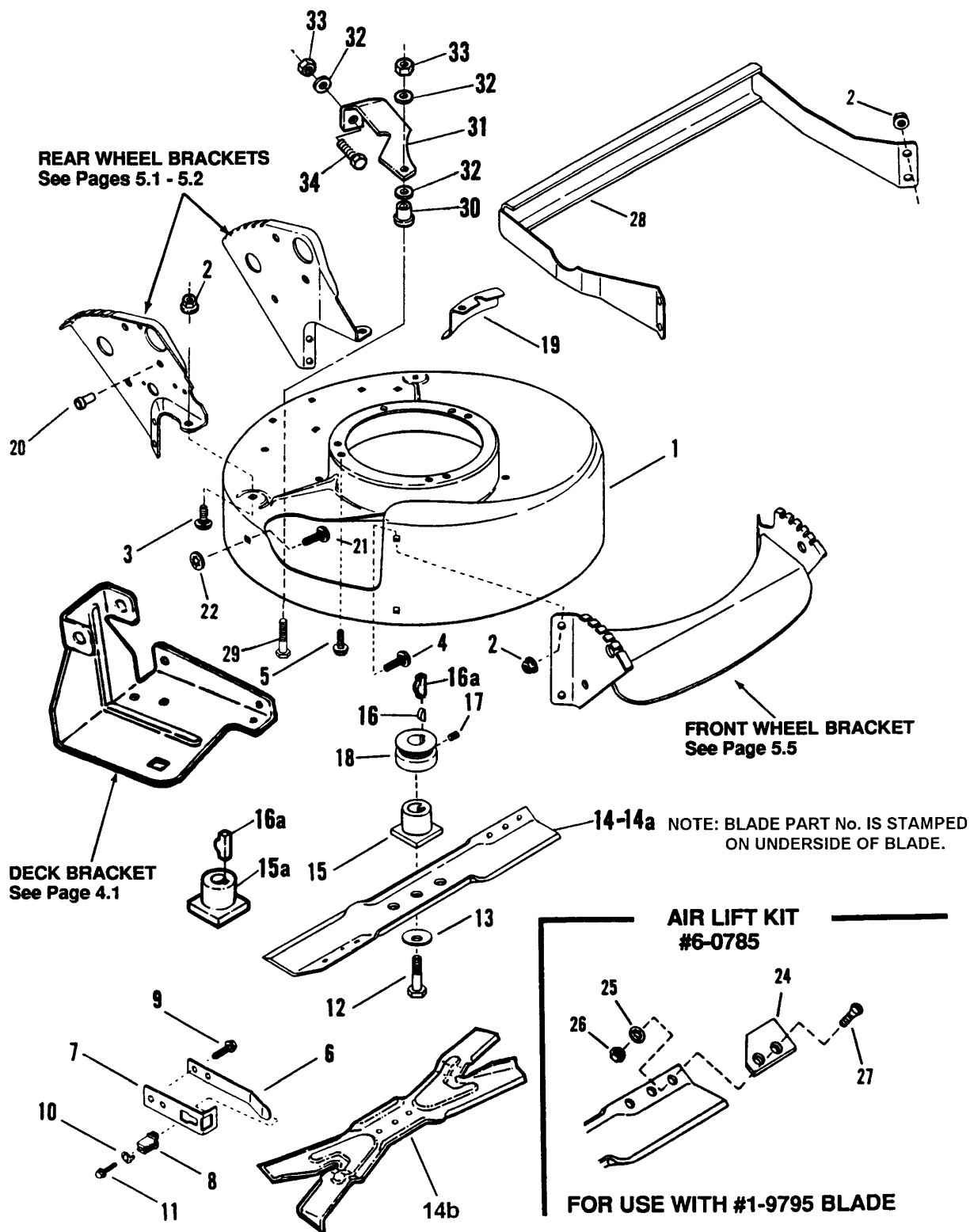


Handles & Controls

Item	Part No	Qty	Description	Note
30	7091013		SCREW, 1/4-20 x 7/8" Curved Head, Gr. 2	
31	7023735	4	KNOB, 5/16-18	
32	7091025		CAPSCREW, 1/4-28 x 1-3/8", Grade 5	<i>Used on Self Propelled</i>
33	7090053		WASHER, 1/4" Internal Tooth Lock	<i>Was 91023</i>
34	7090095		NUT, 1/4-28 Hex, Grade 5 or B	<i>Was 91024</i>
35	7091022		CAPSCREW, 1/4-28 x 1-3/4", Grade 5	
36	7014343		BUSHING	
37	7023792		PIN, Clutch Handle	<i>Used on Self Propelled</i>
38	7091020		PUSH-NUT, 1/4" (For Handle Pin)	<i>Used on Self Propelled</i>
39	7024211		DECAL, Blade Control, L.H. Side	<i>Used on all except Euro S.P.</i>
39A	7023893		DECAL, Blade Control (On Mid. Handle)	<i>Used on S. P. (Euro)</i>
40	7023886		DECAL, Wheel Control, R.H. Side	<i>Used on S. P. (Euro)</i>
41	7022460		GRIP, Foam	<i>Used on all except "O" models</i>
42	7024087		DECAL, Speed Selector	<i>Not shown on item # 13</i>
42	7024446		DECAL, Speed Selector (Euro)	<i>Not shown on item # 13</i>
43	7016544		PLUG	<i>Used on "O" models</i>
44	7090391		WASHER, 5/16" Internal Tooth Lock	<i>Was 91068</i>
	7061198		BAG, Hardware (Push)	
	7061158		BAG, Hardware (One-Speed)	

Footnotes:

Cutting Deck, Blade, Interlock



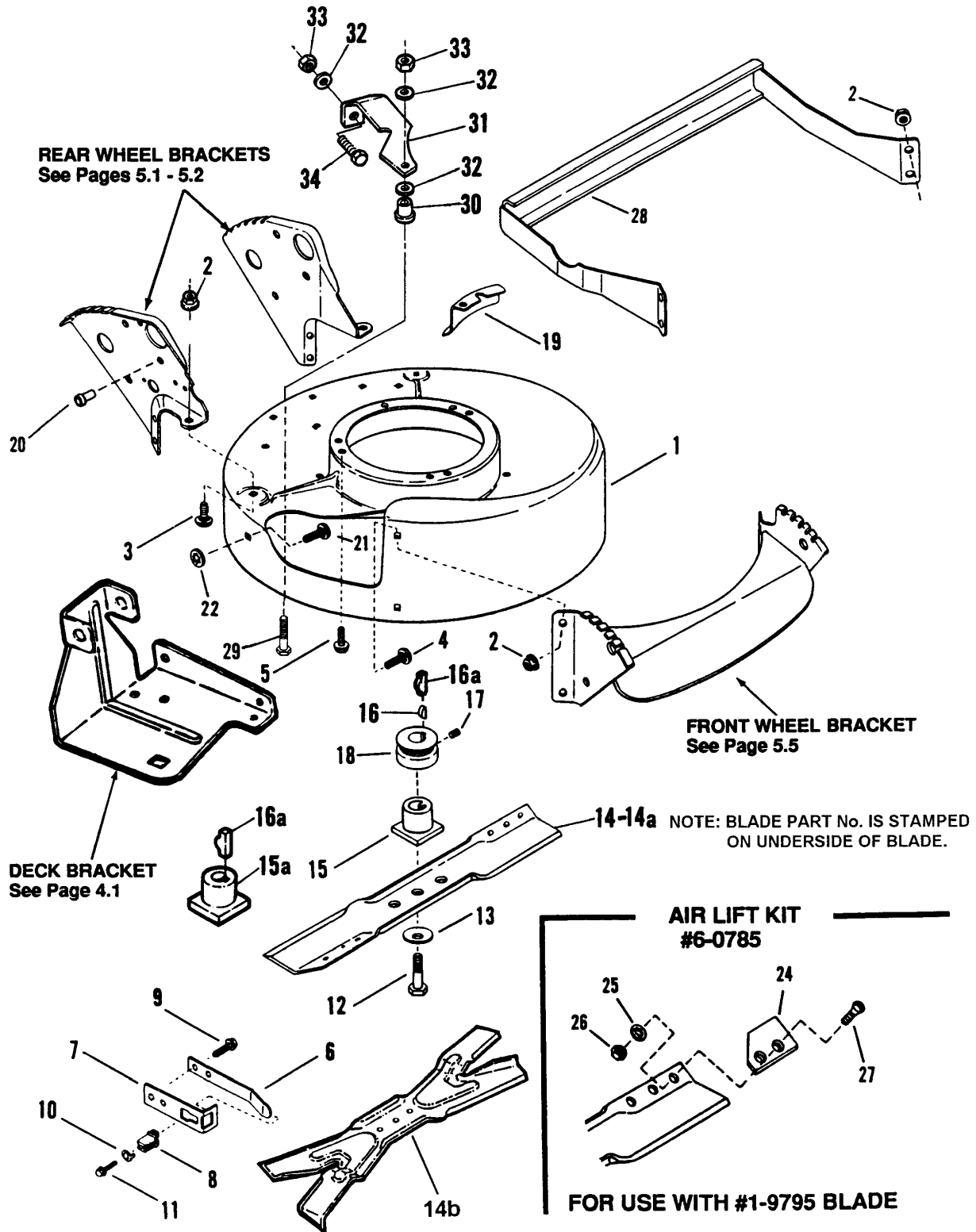
Cutting Deck, Blade, Interlock

Item	Part No	Qty	Description	Note
1	7057663		DECK, Mower	<i>(Includes Painted Deck with Decals)</i>
			DECK, Mower	<i>(Includes Painted Deck with Decals; "O" Models)</i>
2	7091601		NUT, 5/16-18 Hex Flange Lock, Grade 5	<i>Was 90585</i>
3	7090731		BOLT, 5/16-18 x 1/2" Short Neck Carriage, Grade 5	
4	7091169		BOLT, 5/16-18 x 1-1/8" Short Neck Carriage, Grade 5	
5	7090324	3	SCREW, 3/8-16 x 1" Hex Washer Self-Tap	<i>(Briggs Engine Mount)</i>
	7090595	3	BOLT, 5/16-18 x 3/4" Hex Flange Lock, Grade 5	<i>(Tec. Engine Mount)</i>
6	7032417		SPRING, Wheel Bracket Type Interlock	
7	7032416		BRACKET, Wheel Bracket Type Interlock	
8	7012048		INSULATOR, Interlock	
9	7091122	2	SCREW, 1/4-20 x 1/2" Hex Washer Self-Tap	<i>Was 90539</i>
10	7090385		WASHER, #8 Tab Internal Tooth Lock	
11	7090379		SCREW, #8-18 x 3/4" Hex Head Machine	
12	7090167		SCREW, 3/8-24 x 2" Hex Head Cap, Grade 5	
13	7012063		WASHER, Cone	
14	7019795		BLADE, Cutter, 20.75"	
14A	7026691		BLADE, Cutter, 20.73"	<i>Was 17002</i>
14B	7026407		BLADE, Cutter, 20.73" Quad Edge	
15	7015626		HUB, Blade Drive 25mm	
15A	7012927		HUB, Blade Drive 7/8"	
16	7015894		KEY, Woodruff #605 (Briggs)	<i>('91 Models & Later)</i>
16A	7010783		KEY, Woodruff Hi-Pro	
17	7090201		SCREW, 5/16-18 x 5/16" Hex Socket Set	
18	7015780		PULLEY, Engine- 25mm x 2-1/8" Outside Diameter	
18	7024596		PULLEY, Engine- .875 x 2-1/4" Outside Diameter	
19	7031968		SHIELD, Belt Opening Cover	<i>(Push Models Only)</i>
20	7012135		BUSHING, Interlock Wire	
21	7091508		BOLT, 5/16-18 x 3/4" Short Neck Carriage, Grade 5	<i>Was 90001</i>
22	7011791		RETAINER, 5/16" Bolt	
23	7011762		COVER, Spark Plug	<i>(Not shown)</i>
	7060785		KIT, Air Lift	<i>(Includes Items 24-27)</i>
24	7032558	2	LIFT, Air	
25	7090391	4	WASHER, 5/16 Internal Tooth Lock	
26	7091297	4	NUT, 5/16-24 Hex	<i>Was 90223</i>
27	7090228	4	SCREW, 5/16-24 x 21/32" Oval Head Machine	
28	7049755		STRUCTURE, Fender	<i>(European Only)</i>
29	7090702		BOLT, 5/16-18 x 2-1/4" Hex Flange Lock	

Footnotes:

An Airlift Hardware Bag (61151) is furnished with European Mowers; order 60785 to replace.

Cutting Deck, Blade, Interlock



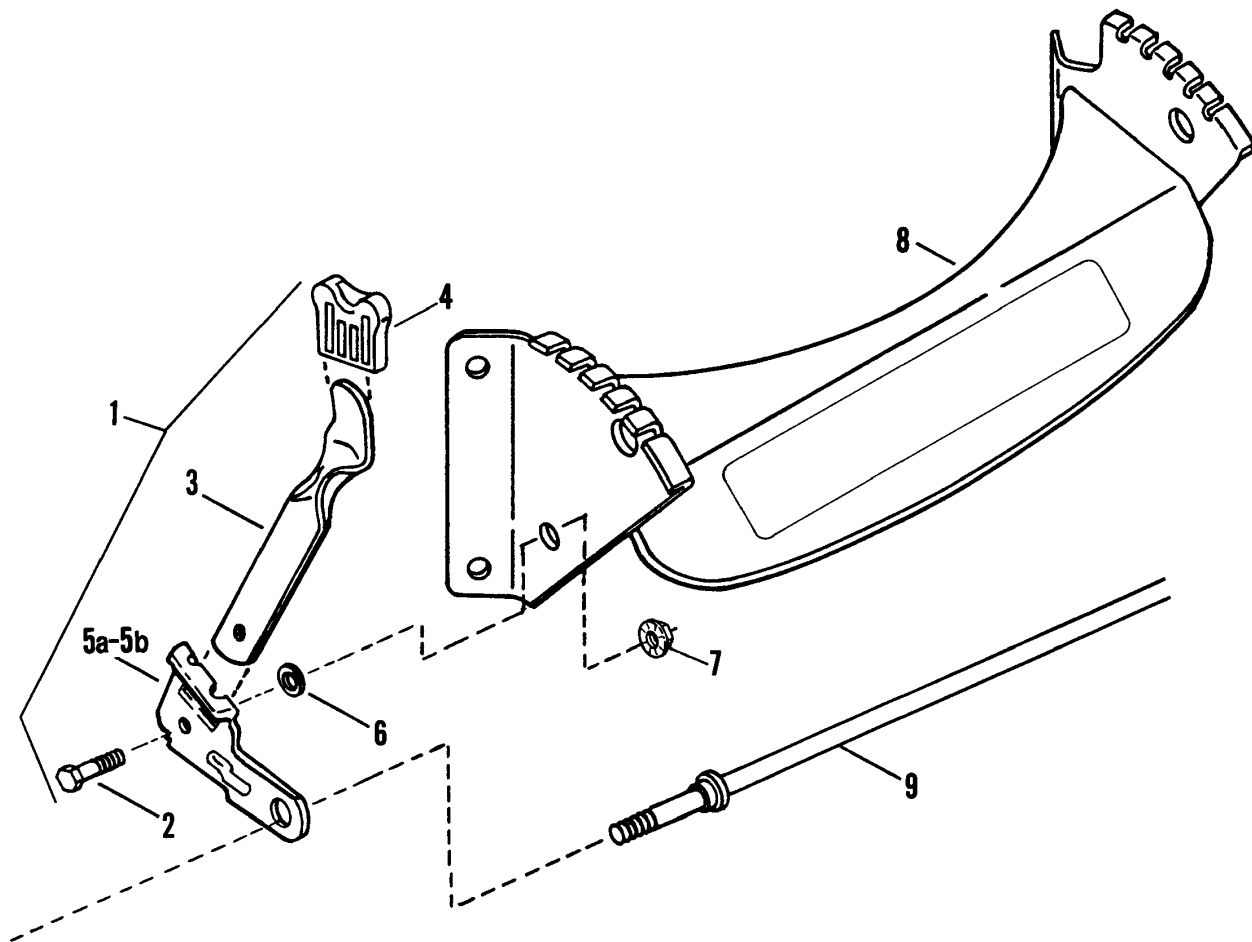
Cutting Deck, Blade, Interlock

Item	Part No	Qty	Description	Note
30	7013320		BUSHING	
31	7036240		COVER, Belt	<i>(European Only)</i>
32	7090187		WASHER, 5/16" Split Lock	
33	7091511		NUT, 5/16-18 Hex	<i>Was 90196</i>
34	7090534		SCREW, 5/16-18 x 1/2" Hex Head Cap, Grade 5	

Footnotes:

An Airlift Hardware Bag (61151) is furnished with European Mowers; order 60785 to replace.

Front Bracket, Latches

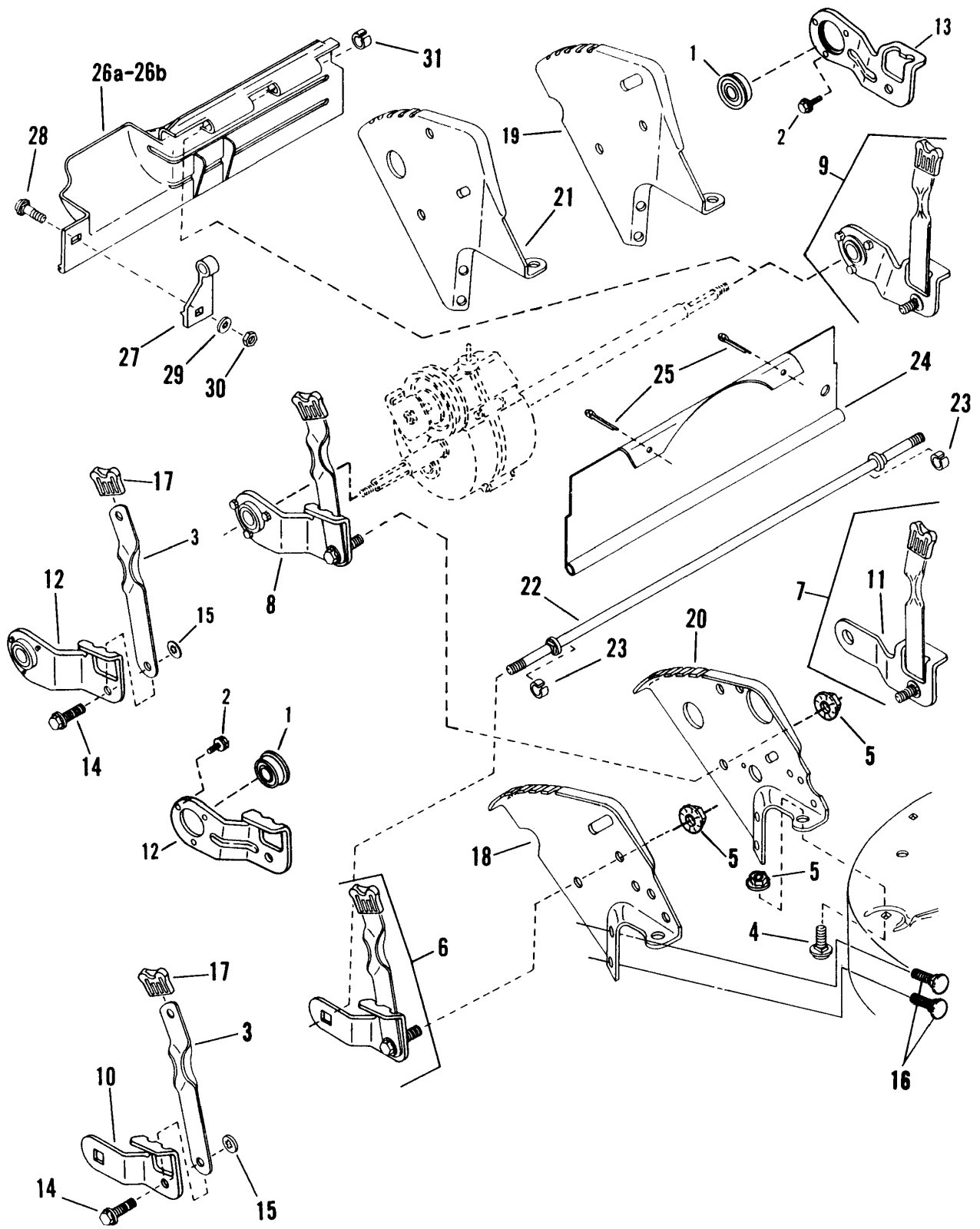


Front Bracket, Latches

Item	Part No	Qty	Description	Note
1	7051885		ARM ASSEMBLY, Left Wheel	<i>(Consists of items 2,3,4,5A,6)</i>
	7051886		ARM ASSEMBLY, Right Wheel	<i>(Consists of items 2,3,4,5B,6)</i>
2	7015761		BOLT, 5/16 - 18 Shoulder	
3	7012325		LATCH, Height	
4	7027702		GRIP, Latch	
5A	7031016		ARM, Left Wheel	
5B	7031017		ARM, Right Wheel	
6	7011791		RETAINER, 5/16 Bolt	
7	7091601		NUT, 5/16 - 18 Hex Flange Lock	<i>Was 90585</i>
8	7047971		BRACKET, Front Wheel	
9	7021119		AXLE	

Footnotes:

Rear Wheels, Brackets, Latches

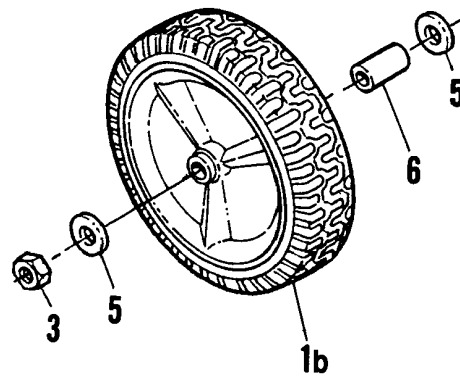
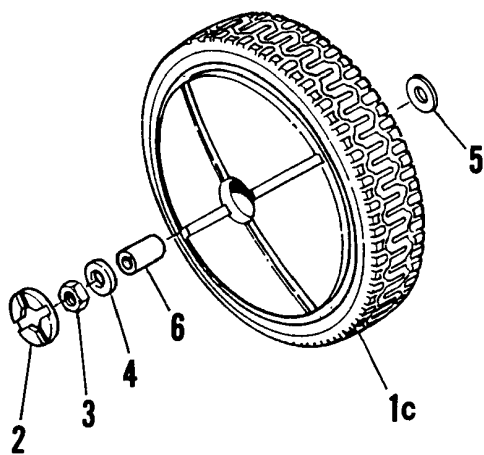
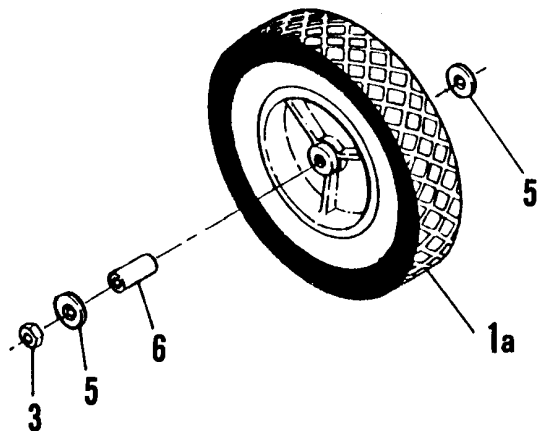


Rear Wheels, Brackets, Latches

Item	Part No	Qty	Description	Note
1	7046983		BEARING	Was 18767
2	7091012	3	SCREW, #10 - 32 x 3/8" Self-Tapping	
3	7035717		LATCH, Height Adjusting (Long)	Was 19218
4	7091508		BOLT, 5/16 - 18 x 3/4" Short Neck Carriage	Was 90001
5	7091601	6	NUT, 5/16 - 18 Hex Flange Lock	Was 90585
6	7052909		ASSEMBLY, Wheel Arm (Square Hole, Front Left & Rear Right)	Was 51954 (Includes Items 10, 14-17)
7	7052908		ASSEMBLY, Wheel Arm (Round Hole)	Was 51955 (Includes Items 11, 14-17)
8	7054246		WHEEL ARM ASSEMBLY	Was 51814 (Rear Right "P" Models; Includes Items 1-3, 12, 14-17, 25)
9	7054247		WHEEL ARM ASSEMBLY	Was 51815 (Rear Left "P" Models; Includes Items 1-3, 13-17, 25)
10	7031016		ARM (Square Axle End)	
11	7031017		ARM (Round Axle End)	
12	7032722		ARM, Wheel Rear Right "P" Models	
13	7032723		ARM, Wheel Rear Left "P" Models	
14	7015761		BOLT, 5/16 - 18 x 3/4" Shoulder	
15	7011791		RETAINER, 5/16 Bolt	
16	7090799		BOLT, 5/16 - 18 x 5/8 Short Square Neck Carriage	
17	7027702		GRIP, Latch	
18	7036050		BRACKET, Right Rear Wheel	Push Models
19	7036049		BRACKET, Left Rear Wheel	Push Models
20	7036048		BRACKET, Right Rear Wheel	Self-Prop. "P" Models
21	7036242		BRACKET, Left Rear Wheel	Self-Prop. "P" Models
22	7021119		AXLE	(Rear on Push Models - Also Front on All)
23	7011780	2	RING	Push Models
24	7026166		GUARD, Rear Foot	Was 37765 (Push Models)
25	7091809	2	PIN, 1/8 x 1 1/2" Cotter	Was 90297
26A	7019522		GUARD, Rear Foot	Self-Prop. "O" Models
26B	7017010		GUARD, Rear Foot	Euro Models
27	7012616		SUPPORT, Foot Guard	
28	7091604		BOLT, 1/4 - 20 x 1/2 Short Neck Carriage Gr. 5	Was 90005
29	7090053		WASHER, 1/4 Int. Tooth Lock	Was 91023
30	7091576		NUT, 1/4 - 20 Hex	Was 90063
31	7023791		RING	

Footnotes:

Front Wheels

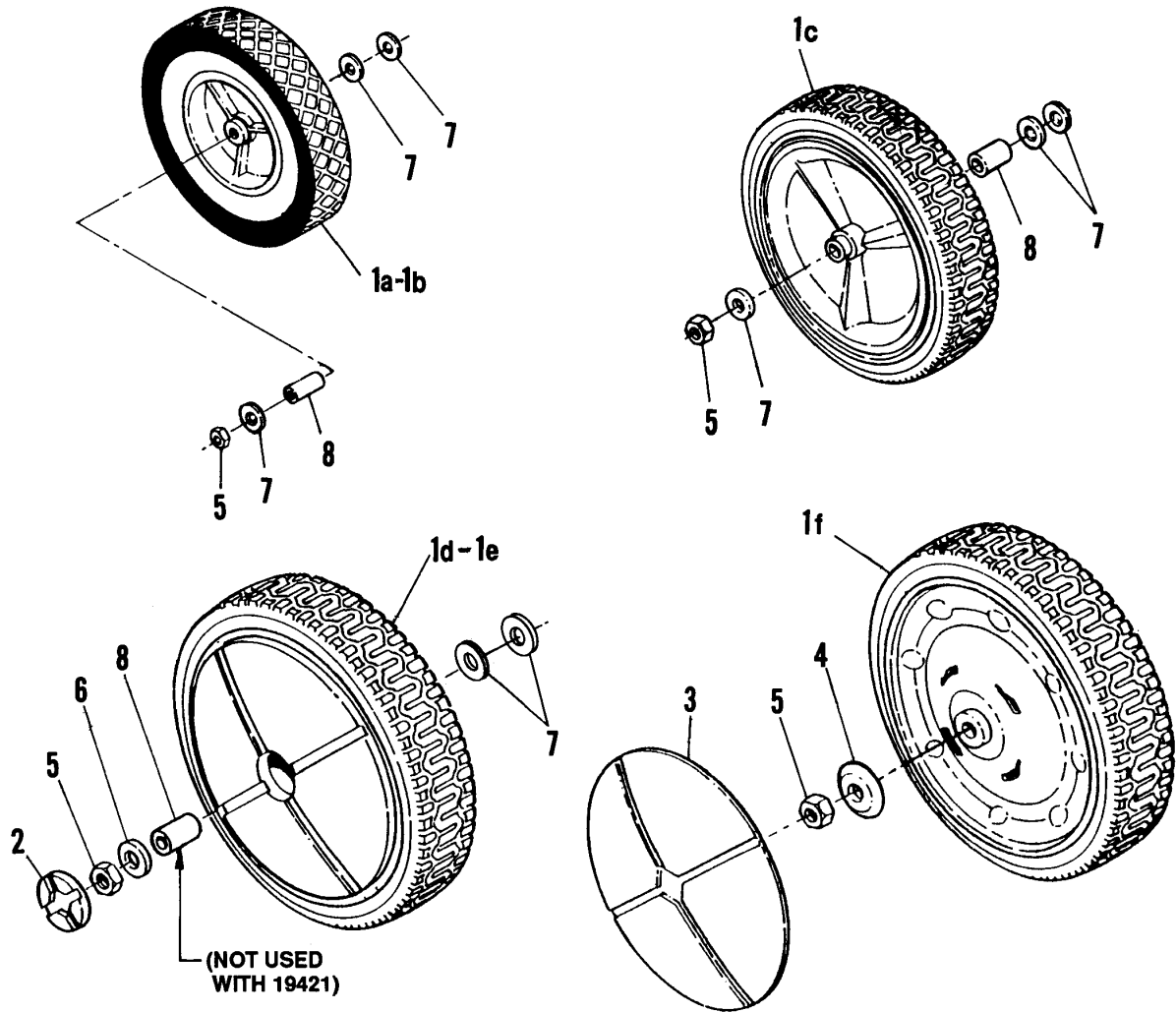


Front Wheels

Item	Part No	Qty	Description	Note
1A	7022795		WHEEL, 7 x 1.50 - Plastic	<i>(Used On OD, ODP)</i>
1B	7019195		WHEEL, 7 x 1.75 - Plastic	<i>Was 19333 (Used On D21, R21)</i>
1C	7019195		WHEEL, 7 x 1.75 - Plastic	<i>Was 19419 or 19495 (Used On Various)</i>
2	7017829		PLUG, Wheel	<i>(Used On 19419)</i>
3	7090377		NUT, 7/16 - 20 Hex Thin	<i>(Used On All)</i>
4	7090500		WASHER, 7/16" ID SAE	<i>Was 91172 (Used On 19419)</i>
5	7031961		WASHER, 1" O.D. Flat	<i>(Used On All)</i>
6	7012309		AXLE BUSHING	<i>(Used On All)</i>

Footnotes:

Rear Wheels

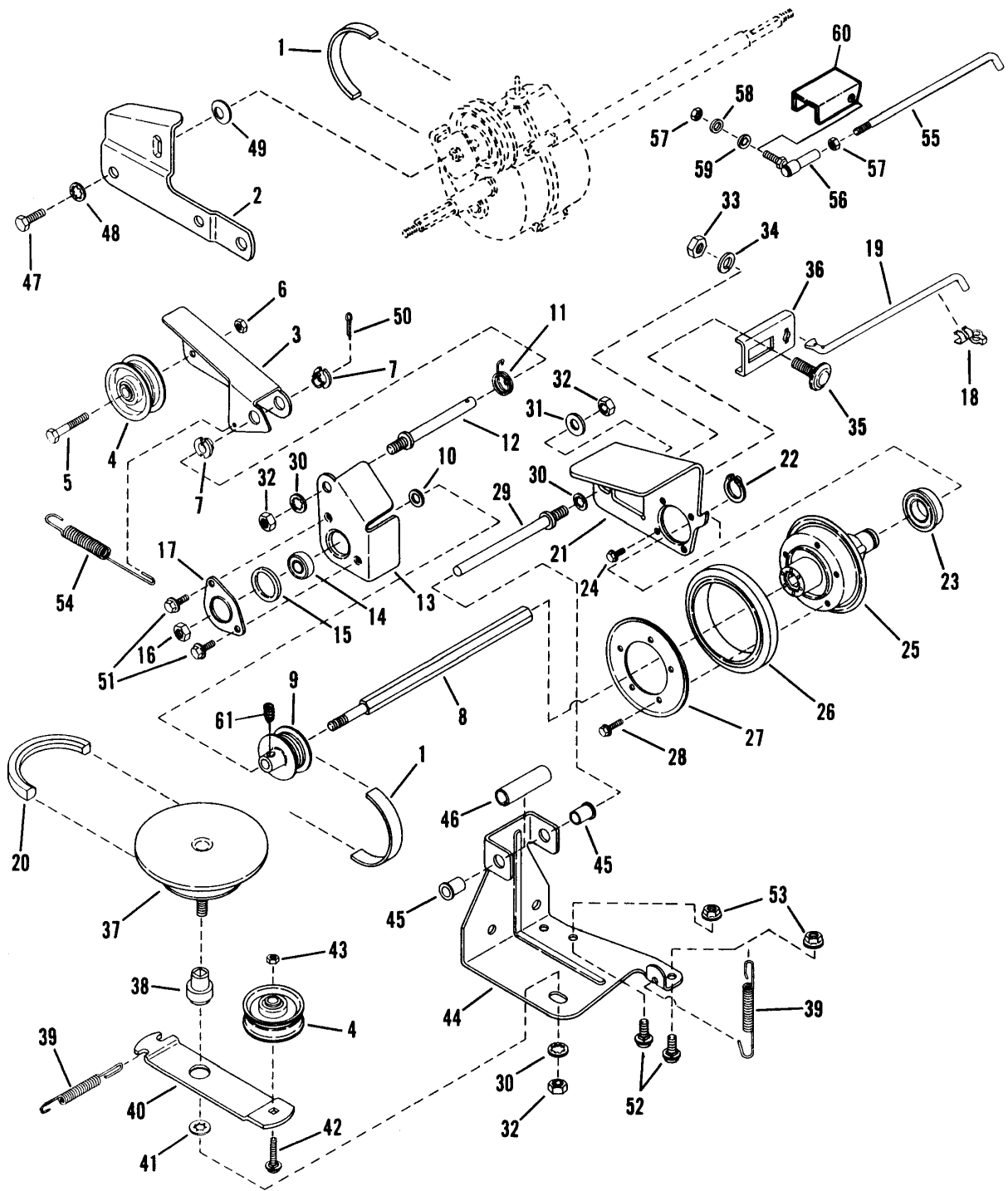


Rear Wheels

Item	Part No	Qty	Description	Note
1A	7022796		WHEEL, 9 x 1.75 - Plastic	<i>(Used On OD21)</i>
1B	7022797		WHEEL, 9 x 1.75 - Plastic	<i>(Used On ODP21)</i>
1C	7019420		WHEEL, 9 x 2.00 - Plastic	<i>Was 19334 (Used On D21 & R21)</i>
1D	7019420		WHEEL, 9 x 2.00 - Plastic	<i>(Used On 21)</i>
1E	7019421		WHEEL, 9 x 2.00 - Plastic	<i>(Used On DP21, P21409B, RP21)</i>
1F	7022801		WHEEL, 9 x 2.00 - Steel	<i>Was 22798 (Used On EP21, P21, RP21)</i>
2	7017829		PLUG, Wheel	<i>(Used On 19420 & 19421)</i>
3	7019349		WHEEL COVER, 9" Steel	<i>(Used On 22798)</i>
4	7031960		HUB CAP	<i>(Used On 22798)</i>
5	7090377		NUT, 7/16 - 20 Hex Thin	<i>(Used On All)</i>
6	7090500		WASHER, 7/16" ID SAE	<i>Was 91172 (Used On 19420 & 19421)</i>
7	7031961		WASHER, 1" O.D. Flat	<i>(Used On All)</i>
8	7012309		AXLE BUSHING	<i>(Used On 19420)</i>

Footnotes:

Drive System, Self Propelled (Part I)



Drive System, Self Propelled (Part I)

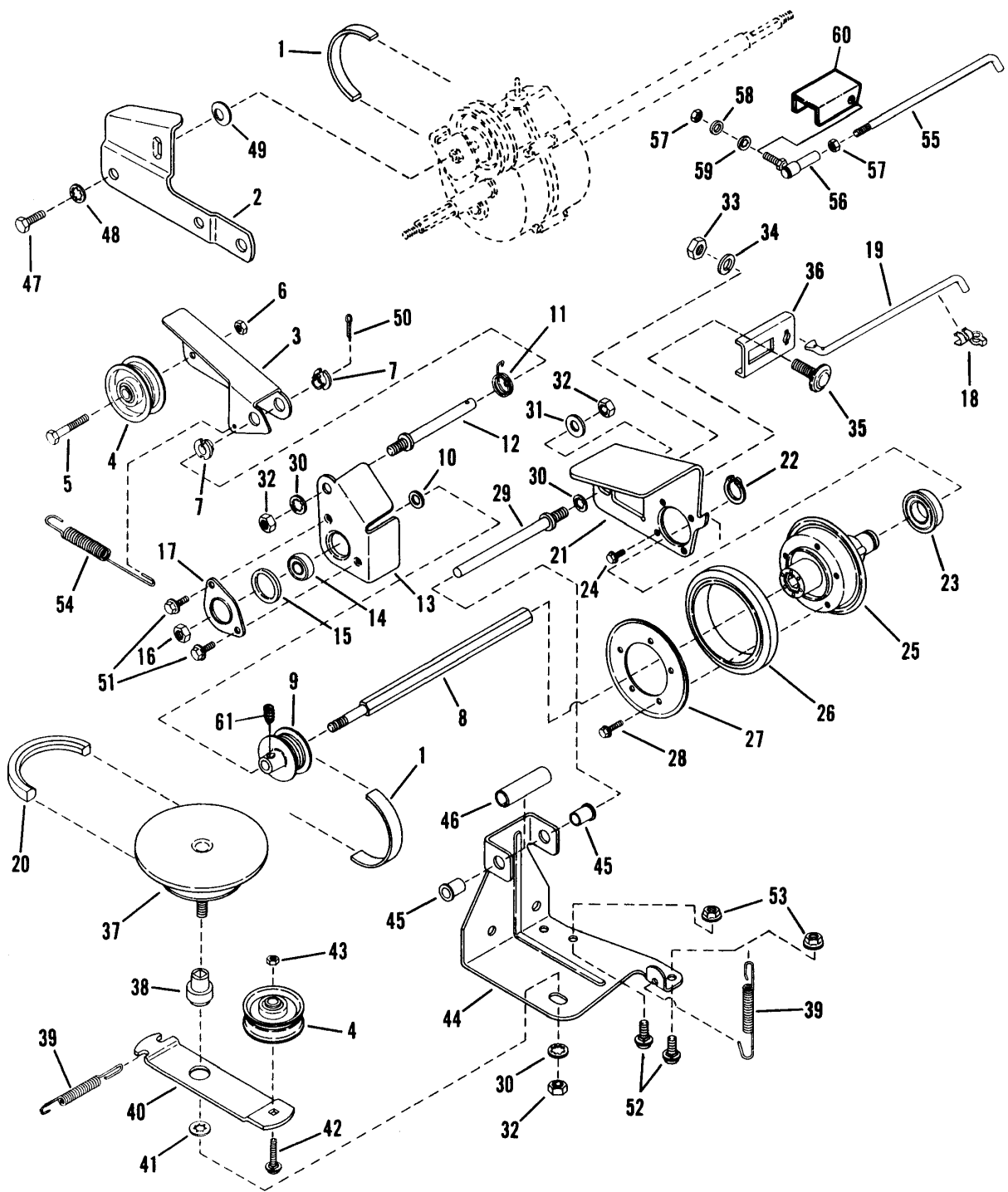
Item	Part No	Qty	Description	Note
1	7012354		BELT, Poly-Vee	
2	7034179		LINK, Differential	<i>Was 31880</i>
	7051921		ASSEMBLY, Clutch Idler	<i>(Includes items 3-7)</i>
3	7032832		ARM, Clutch Idler	
4	7012124	2	PULLEY, Idler	
5	7090552		SCREW, 1/4-28 x 1-3/8" Hex Head Cap	
6	7090303		NUT, 1/4-28 Hex Top Lock	
7	7012117	2	BUSHING, 3/8 I.D. Nylon	
8	7072284		HEX-SHAFT	<i>Was 23744</i>
9	7019383		PULLEY, 2" O.D.	
9	7024516		*PULLEY, 1-3/4" O.D.	
10	7012316		WASHER, .390 I.D. Flat	
11	7012126		SPRING, Torsion	
12	7012111		STUD	
13	7031873		HOLDER, Bearing (Inner Half)	
14	7028014		BEARING, Ball	<i>Was 12304</i>
15	7011025		O-RING	
16	7090289		NUT, 3/8-24 Hex Center Lock	
17	7031809		HOLDER, Bearing (Outer Half)	
18	7010937		CLIP, 1/4 Right Arc (Transfer Rod)	
19	7023790		ROD, Transfer	
20	7012353		BELT, Engine Drive	
20	7012508		*BELT, Engine Drive	
	7053225		ASSEMBLY, Driven Disc	<i>Was 57444 (Includes 21 thru 28)</i>
21	7038486		PLATE, Thrust	
22	7010746		RING, 3/4" External Retaining	
23	7026693		BEARING, Ball	<i>Was 15474</i>
24	7090981	4	SCREW, #10-32 x 1/4" Self-Tapping Machine	
25	7061276		ASSEMBLY, Hub	<i>Was 51616 (Includes 11108 Bushing & 90913 Screws)</i>
26	7023364		RING, Driven	
27	7031013		PLATE, Ring Retaining	
28	7090913	5	SCREW, #10-24 x 1/2" Hex Washer Self-Tap (Torx)	
29	7012125		GUIDE, Thrust Plate	
30	7090390	3	WASHER, 3/8" Internal Tooth Lock	
31	7090122		WASHER, 3/8" Flat	
32	7091630	3	NUT, 3/8-24 Hex, Grade 2	<i>Was 90155</i>
33	7091511		NUT, 5/16-18 Hex	<i>Was 90196</i>

Footnotes:

Note* Used on "O" model mowers.

Note** Used on Electric Start & European Models.

Drive System, Self Propelled (Part I)



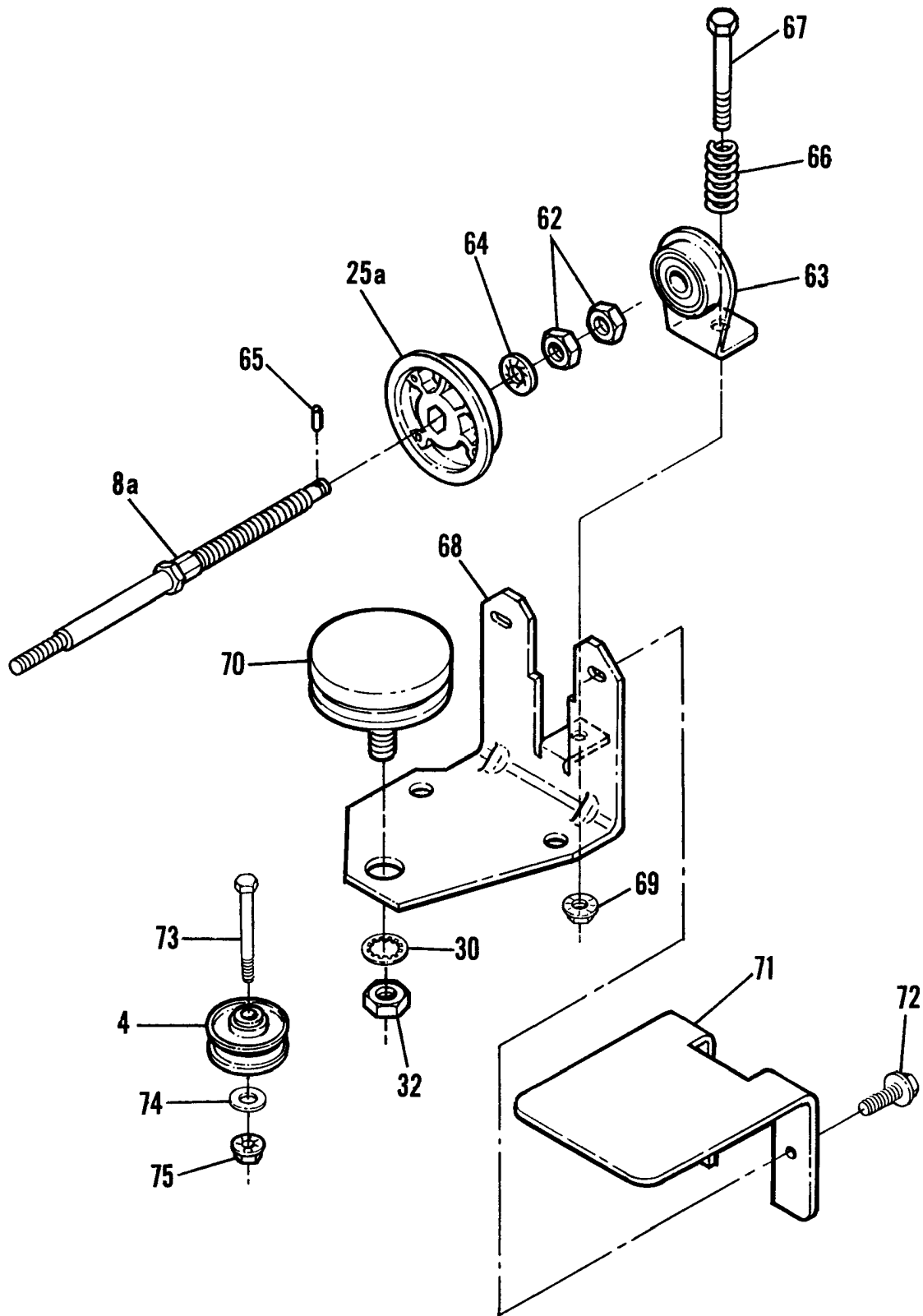
Drive System, Self Propelled (Part I)

Item	Part No	Qty	Description	Note
34	7090187		WASHER, 5/16" Split Lock	
35	7090316		BOLT, 5/16-18 x 3/4" Carriage, Grade 5	Was 91097
36	7032831		CONNECTOR, Transfer Rod	
37			ASSEMBLY, Drive Disc	(Order Kit #60710 for Replacement)
38			BUSHING	(Order Kit #60710 for Replacement)
39	7029025	2	SPRING (Wheel Drive & Idler)	Was 17326
40	7032116		ARM, Idler	
41	7013847		RETAINER, 3/8" Bolt	
42	7090947		BOLT, 1/4-20 x 1-1/2" Carriage, Grade 5	
43	7090372		NUT, 1/4-20 Hex Center Lock	
	7050751		ASSEMBLY, Deck Bracket	(Includes items 44-46)
44	7033774		BRACKET, Deck	Was 31919 (Now 17696 + 33774)
45	7012306	2	BUSHING, Flange	
46	7021758		SPACER	
47	7090534		SCREW, 5/16-18 x 1/2" Hex Head Cap, Grade 5	
48	7090391		WASHER, 5/16" Internal Tooth Lock	
49	7011079		WASHER, Spring	
50	7091597		PIN, 3/32 x 1/2" Cotter	Was 90555
51	7091122		SCREW, 1/4-20 x 1/2" Hex Flange Self-Tap	Was 90539
52	7090731	2	BOLT, 5/16-18 x 5/8" Short Neck Carriage, Grade 5	
53	7091601	2	NUT, 5/16-18 Hex Flange Lock	Was 90585
54	7012122		SPRING, Clutch	
55	7015752		**LINK, Transfer	
56	7015753		**JOINT, Ball	
57	7090095		**NUT, 1/4-28 Hex	
58	7091294		**WASHER, 1/4" Flat	Was 90055
59	7090053		**WASHER, 1/4" Internal Tooth Lock	
60	7032664		SHIELD, Hex Shaft	(Euro Mowers Only)
61	7013670		*SCREW, 1/4-28 x 1/4" Countersunk Set	

Footnotes:

Note* Used on "O" model mowers.

Note** Used on Electric Start & European Models.



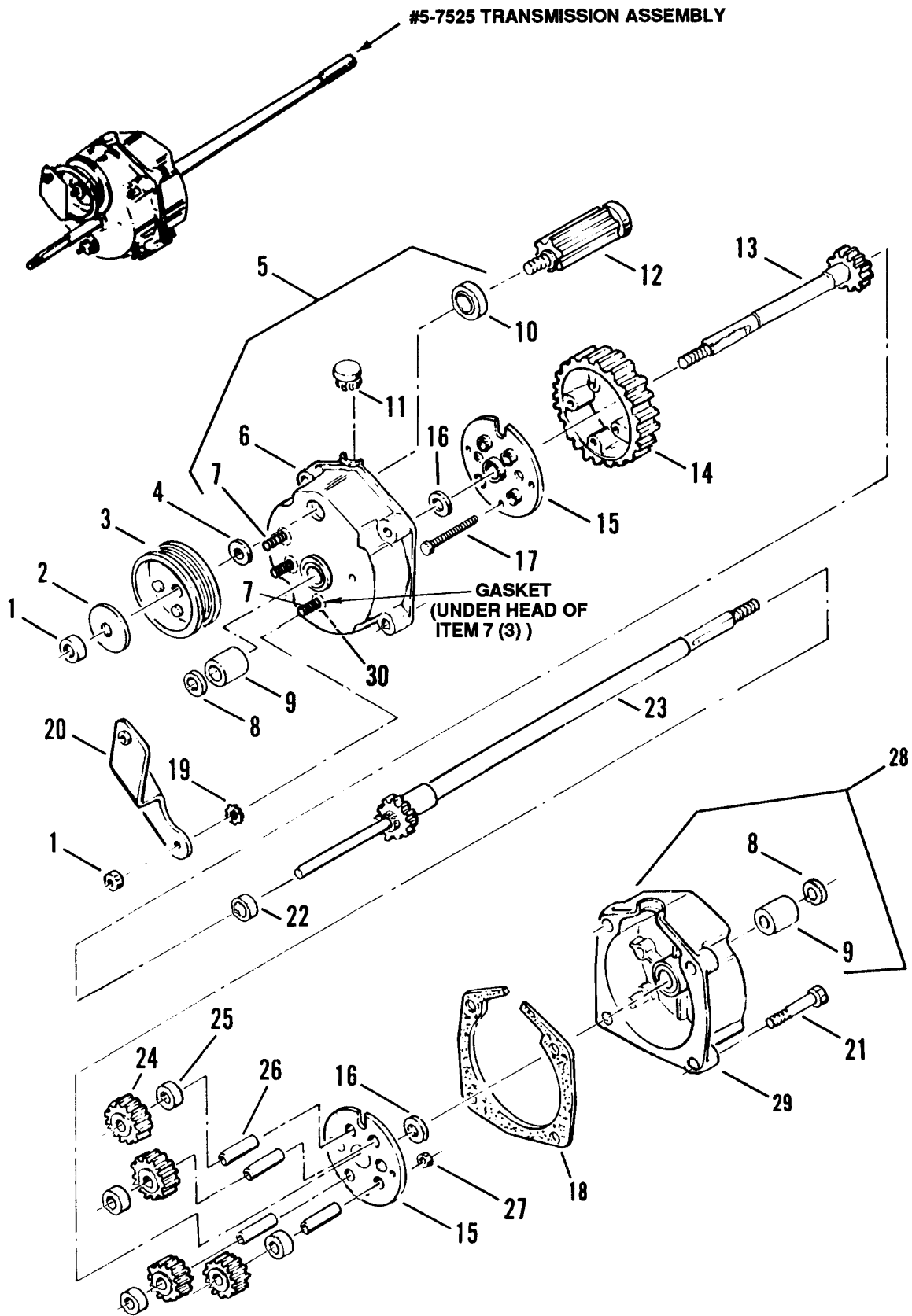
Drive System, Single Speed (Part II)

Item	Part No	Qty	Description	Note
4	7012124	2	PULLEY, Idler	
8A	7024547		*SHAFT, Drive	
25A	7024546		*HUB, Driven Disc	<i>(Accepts Items 26-28)</i>
30	7090390	3	GUIDE, Thrust Plate	
32	7091630	3	NUT, 3/8-24 Hex, Grade 2	<i>Was 90155</i>
62	7090265	2	*NUT, 1/2-20 Hex, Grade 2	
63	7052854		*ASSEMBLY, Holder & Bearing	
64	7090509		*WASHER, 1/2" Internal Tooth Lock	
65	7014001		*PIN, 1/8 x 3/4" Roll	
66	7024545		*SPRING	
67	7090464		*SCREW, 5/16-24 x 2-3/4" Hex Head Cap, Grade 5	
68	7033670		*BRACKET, Deck	
69	7090480		*NUT, 5/16-24 Hex Flange Lock	
70	7052867		*ASSEMBLY, Drive Disc	
71	7033671		*COVER, Driven Ring	
72	7090913		*SCREW, #10-24 x 1/2" Hex Washer Self-Tap (Torx)	<i>Was 90307</i>
73	7090639		*SCREW, 1/4-20 x 1-1/2" Hex Head Cap, Grade 5	
74	7032070		*WASHER, 13/32 x 3/4"	
75	7091584		*NUT, 1/4-20 Hex Flange Lock	<i>Was 90583</i>

Footnotes:

Note* Used on "O" model mowers.

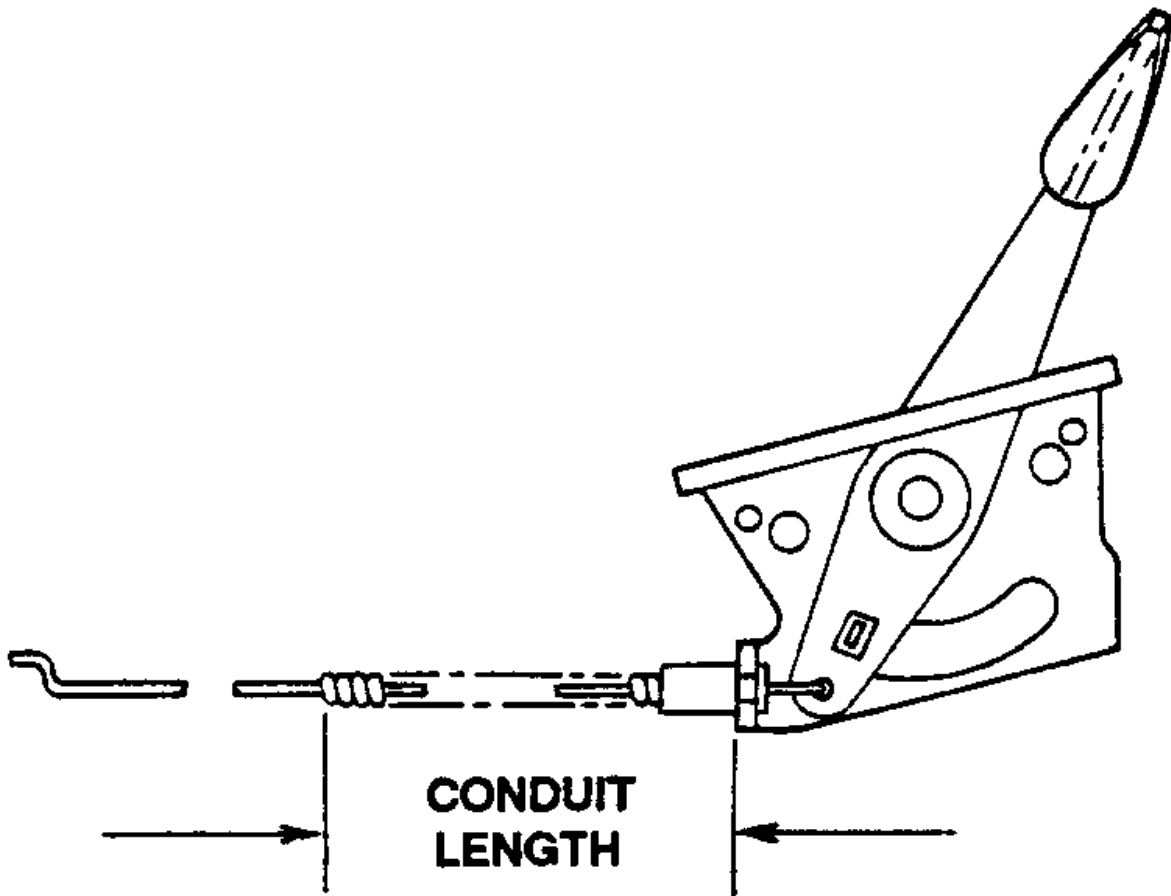
Transmission (Differential)



Transmission (Differential)

Item	Part No	Qty	Description	Note
i752!	7059070		ASSEMBLY, Transmission	Was 57525 (Includes 1 thru 30)
1	7092062		NUT, 5/16-24 Hex Lock, Grade C	Was 11201
2	7014263		WASHER, Spring	
3	7019213		PULLEY, Poly-V Belt	
4	7011724		WASHER, Spring	
5	7053942		ASSEMBLY, Right Housing	Was 59794 (Includes 6 thru 10)
6	7051908		HOUSING, Right Side	Was 17080
7	7014155	3	SCREW, 5/16-24 x 1-1/8" Round Head Ribbed Neck	
8	7012314	2	SEAL, 5/8" I.D.	
9	7012507	2	BEARING, Differential	
10	7073963		BEARING, Ball	Was 11767
11	7016544		PLUG, Housing	
12	7050767		GEAR, Input	
13	7050830		AXLE, Short	
14	7012495		GEAR, Differential, 46 Tooth	
15	7031970	2	PLATE	
16	7031965	2	WASHER, Thrust	
17	7090557	4	SCREW, #10-32 x 1-1/2" Hex Head Cap, Grade 5	
18	7011774		GASKET, Housing	
19	7090189		WASHER, 5/16" Internal/External Tooth Lock	
20	7051903		BRACKET, Differential	
21	7090911	4	SCREW, 1/4-20 x 1-1/4" Hex Washer Self-Tap	
22	7012543		SPACER, Axle Gear	
23	7050831		AXLE, Long	
24	7021115	4	GEAR, Pinion, 12 Tooth	
25	7012500	4	SPACER, Pinion Gear	
26	7011110	4	SHAFT, Pinion	
27	7090376	4	NUT, #10-32 Hex Nyloc	
28	7053939		ASSEMBLY, Left Housing	Was 57523 (Includes 8, 9 & 29)
29	7057634		HOUSING, Left Side	Was 17015
30	7024442		GASKET, 5/8" O.D.	

Footnotes:



Throttle Controls (92 Models Series 9)

Item	Part No	Qty	Description	Note
	7022548	4	BRIGGS 48"	
	7024136	4	BRIGGS 49.75"	
	7024139	2	TECUMSEH 54.5"	

Footnotes:

No
Diagram
Available

Parts List
Only

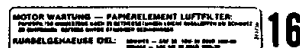
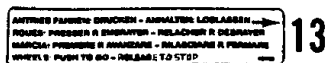
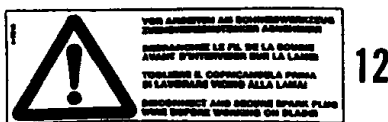
Engine Specifications

Item	Part No	Qty	Description	Note
			BRIGGS 3.5 H.P. Engine, Model 95902-3126-01	
			BRIGGS 3.8 H.P. Engine, Model 96902-3135-01	
			BRIGGS 4.0 H.P. Engine, Model 122702-3151-01	
			BRIGGS 5.0 H.P. Engine, Model 124802-3210-01	
			TECUMSEH 5.0 H.P. Engine, Model TVS840-80302D	
			BRIGGS 5.0 H.P. Engine, Electric Start Model 124807-3211-01	
			BRIGGS 5.0 H.P. Engine, Model 99772-3111-01	

Footnotes:



9-9a



Decals (Part I)

Item	Part No	Qty	Description	Note
1	7024214		PLATE, Recycling (Molded)	
2	7024211		DECAL, Blade Control	
3	7023893		DECAL, Blade Control	<i>For European mowers only.</i>
4	7024087		DECAL, Speed Sector	
5	7024446		DECAL, Speed Sector	<i>For European mowers only.</i>
6	7013010		DECAL, Danger	
7	7024169		DECAL, Hi-Vac/Foot Probe (Red)	
7A	7024168		DECAL, Recy - Foot Probe (Green)	
8	7072921		DECAL, Serial Blank (Large)	<i>Was 24380</i>
9	7017149		LOGO, Molded 7.28"	
9A	7044640		DECAL, Snapper 7.31"	<i>Was 19279</i>
10	7023009		DECAL, Noise Control	<i>For European mowers only.</i>
11	7023008		DECAL, GS	<i>For European mowers only.</i>
12	7017218		DECAL, Spark Plug	<i>For European mowers only.</i>
13	7023886		DECAL, Wheel Control	<i>For European mowers only.</i>
14	7023007		DECAL, Ignition	
15	7013312		DECAL, Caution Discharge Opening	
16	7023032		DECAL, Air Cleaner	<i>For European mowers only.</i>

Footnotes:

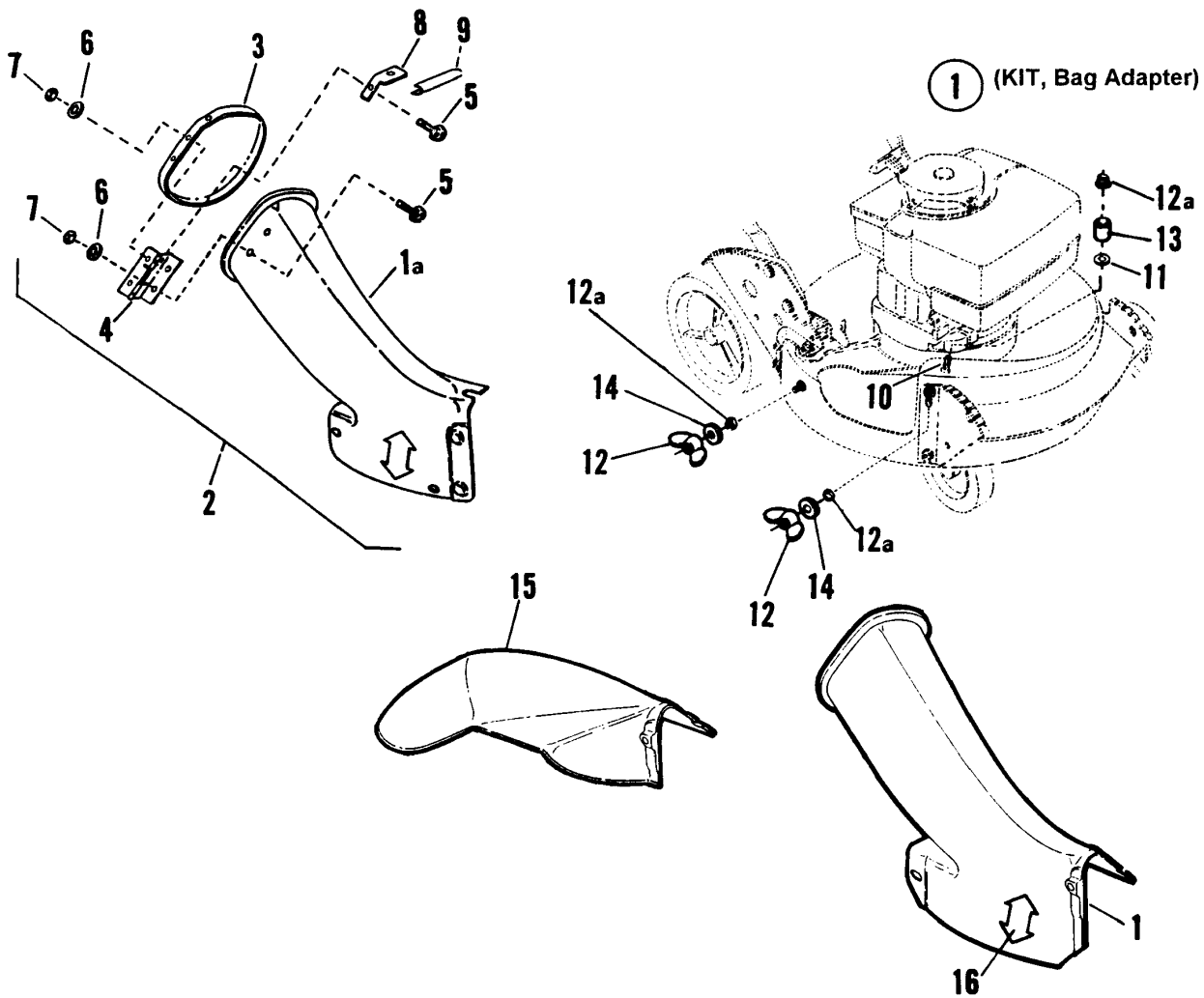


Decals (Part II)

Item	Part No	Qty	Description	Note
1			DECAL, 1.8 Dia. Good	<i>Was 24206, no longer available</i>
2			DECAL, 2.50 Dia. Better	<i>Was 24279, no longer available</i>
3	7024204		DECAL, 3.38 Dia. Snapper	

Footnotes:

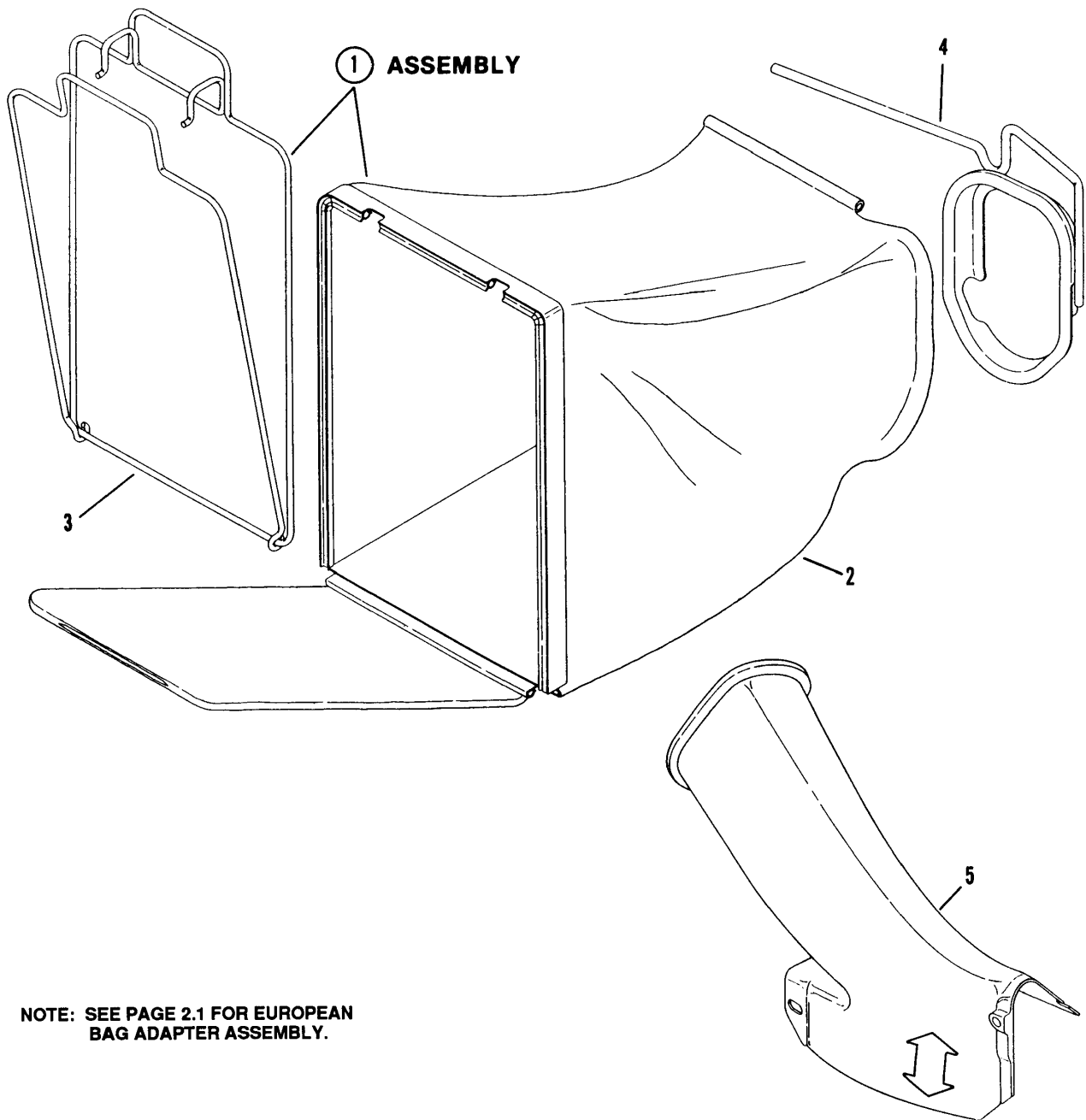
Side Chute, Adapter



Side Chute, Adapter

Item	Part No	Qty	Description	Note
	7042965		KIT, Side Chute	<i>Was 60955 (10 per box of item 15)</i>
1	7016050		ADAPTER, Grass Bag Deck	
1A	7016107		ADAPTER, Grass Bag Deck (Euro)	
2	7051951		ASSEMBLY, Bag Adapter & Cover	<i>(Includes Items 1A thru 9; ITEM 2 IS FOR EUROPEAN MODELS.</i>
3	7019287		COVER, Bag Adapter	
4	7023000		HINGE, Chute Cover	
5	7091604	5	BOLT, 1/4-20 x 1/2" Short Neck Carriage, Grade 5	<i>Was 90005</i>
6	7090053	5	WASHER, 1/4" Internal Tooth Lock	<i>Was 91023</i>
7	7091576	5	NUT, 1/4-20 Hex, Grade 5	<i>Was 90063</i>
8	7032661		STOP, Cover	
9	7023042		TRIM, Molding	
10	7091508		BOLT, 5/16-18 x 3/4" Short Neck Carriage, Grade 5	<i>Was 90001</i>
11	7024340		SPACER	
12	7024085		WING NUT, 5/16-18 w/Nylock Patch	
12A	7090951		NUT, 5/16-18 Large Flange	
13	7011791		RETAINER, 5/16 Bolt	
14	7091076		WASHER, 5/16 Flat	
15	7042965		SIDE CHUTE, 21" Plastic	<i>Was 16090</i>
16	7024169		DECAL, Hi-Vac/Foot Probe (Red)	

Footnotes:

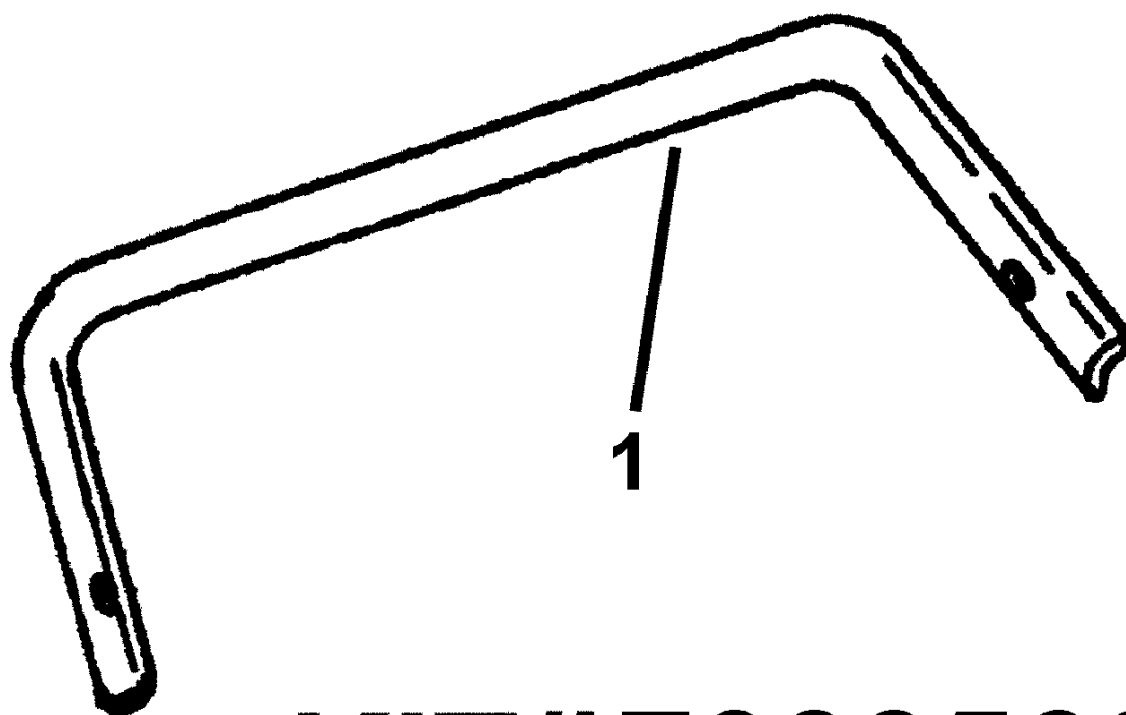


**NOTE: SEE PAGE 2.1 FOR EUROPEAN
BAG ADAPTER ASSEMBLY.**

Grass Bag Accessory

Item	Part No	Qty	Description	Note
	7060935		KIT, Grass Bag Catcher	<i>(Includes Items 1-4)</i>
1	7059322		ASSEMBLY, Grass Bag	<i>Was 51899 (Includes Items 2 and 3)</i>
2	7017069		BAG, Door Type	<i>(13" Wide Charcole)</i>
3	7051906		ASSEMBLY, Bag Wire	<i>(13" Wide)</i>
4	7042489		CONNECTOR, Grass Bag	<i>Was 47969</i>
5	7016050		ADAPTER, Bag	

Footnotes:



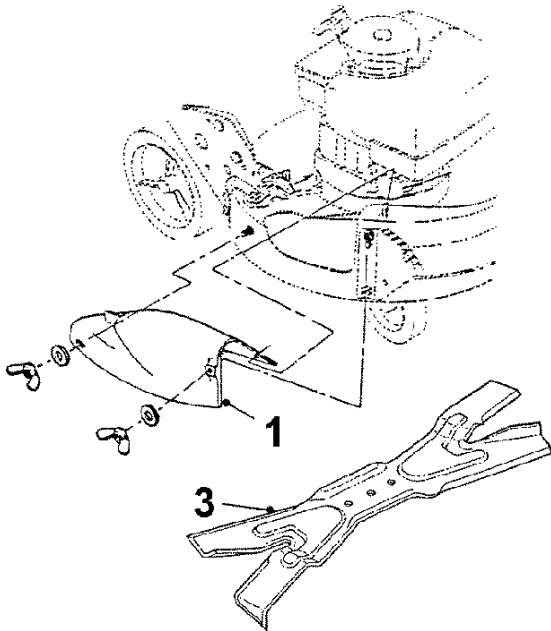
KIT#7033562

Crossbar Kit

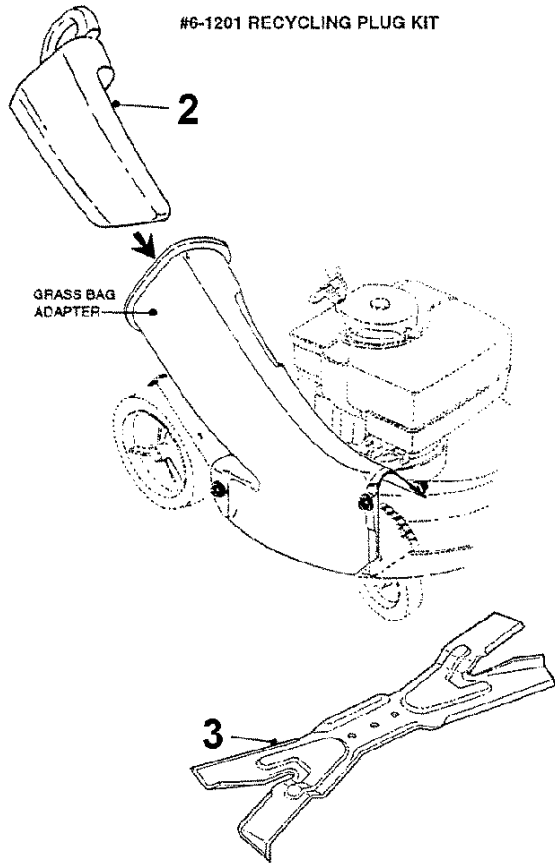
Item	Part No	Qty	Description	Note
	7033562		KIT, Cross Bar	<i>Was 61152 (Includes Item Below)</i>
1	7033562		CROSS BAR	

Footnotes:

#6-1200 RECYCLING COVER KIT



#6-1201 RECYCLING PLUG KIT

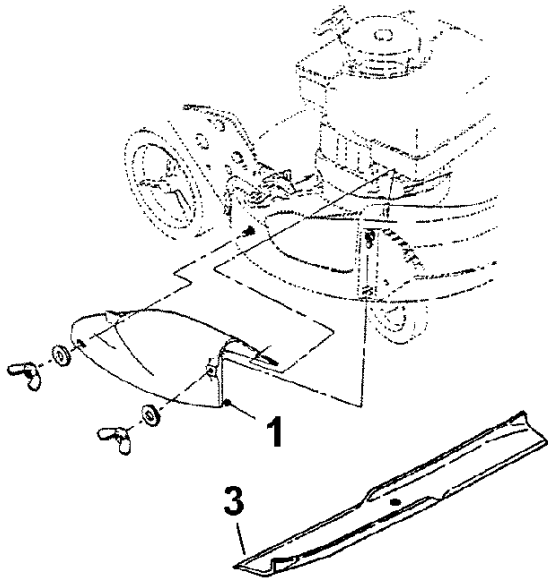


Recycling Kits For 4HP & Above Engines

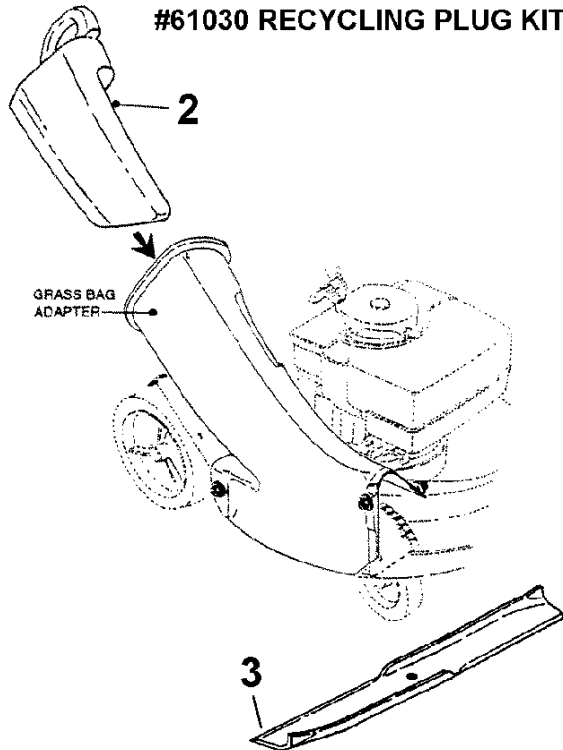
Item	Part No	Qty	Description	Note
--	7061200		KIT, 21" Recycling Cover	<i>(Includes Items Below)</i>
--	7061201		KIT, 21" Recycling Plug	<i>(Includes Items Below)</i>
1	7029149		COVER, 21" Deck	<i>Was 16865</i>
2	7016814		PLUG, Chute Adapter	
3	7026407		BLADE, 21" Quad Edge	<i>Was 24234</i>

Footnotes:

#61032 RECYCLING COVER KIT



#61030 RECYCLING PLUG KIT

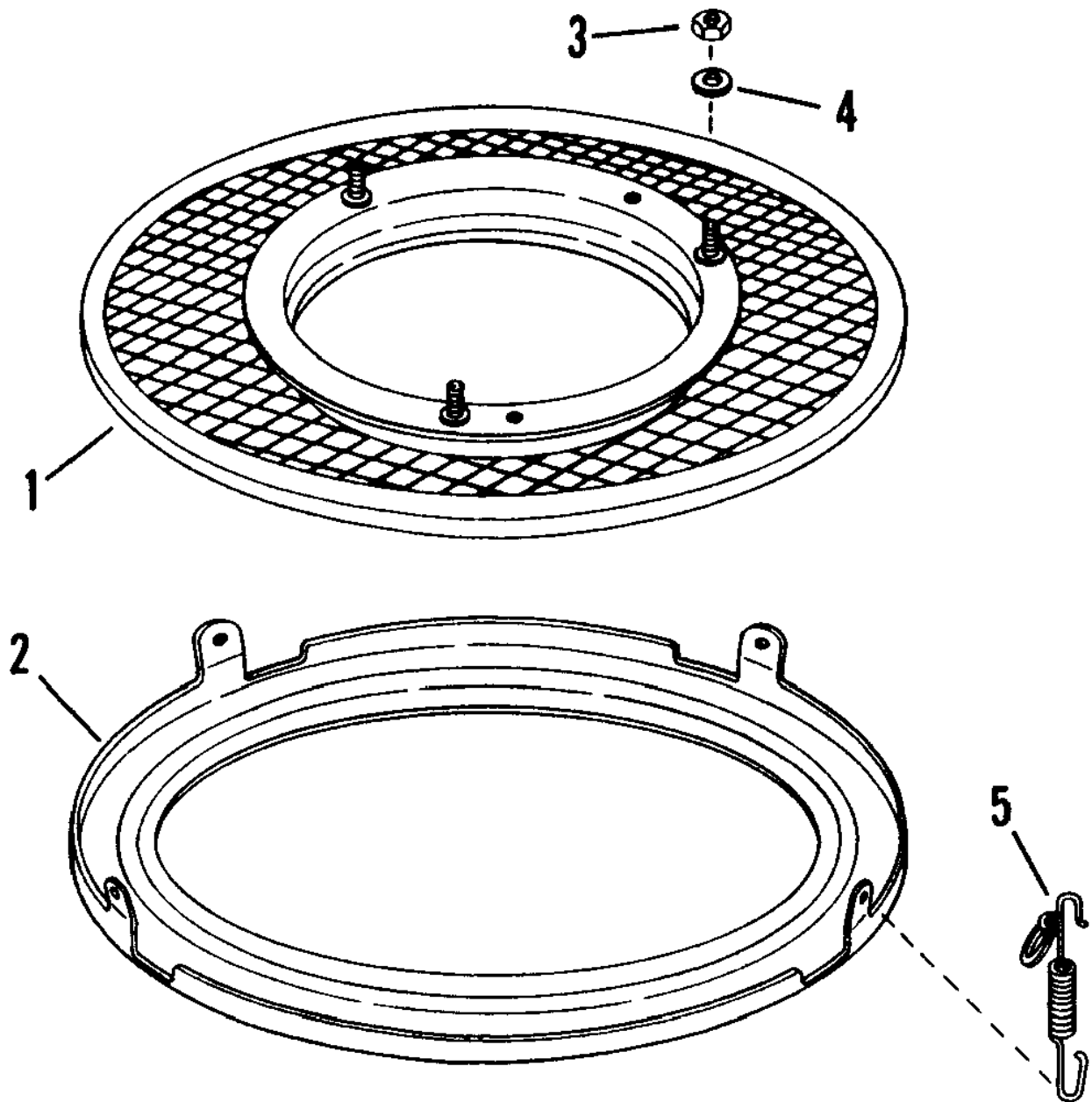


Recycling Kits For Below 4 HP Engines

Item	Part No	Qty	Description	Note
--	7061200		*KIT, Recycling Cover	<i>Was 61030 (Includes items below)</i>
--	7061201		*KIT, Recycling Plug	<i>Was 61032 (Includes items below)</i>
1	7029149		COVER, 21" Deck	<i>Was 16865</i>
2	7016814		PLUG, Chute Adapter	
3	7017168		BLADE, 21"	

Footnotes:

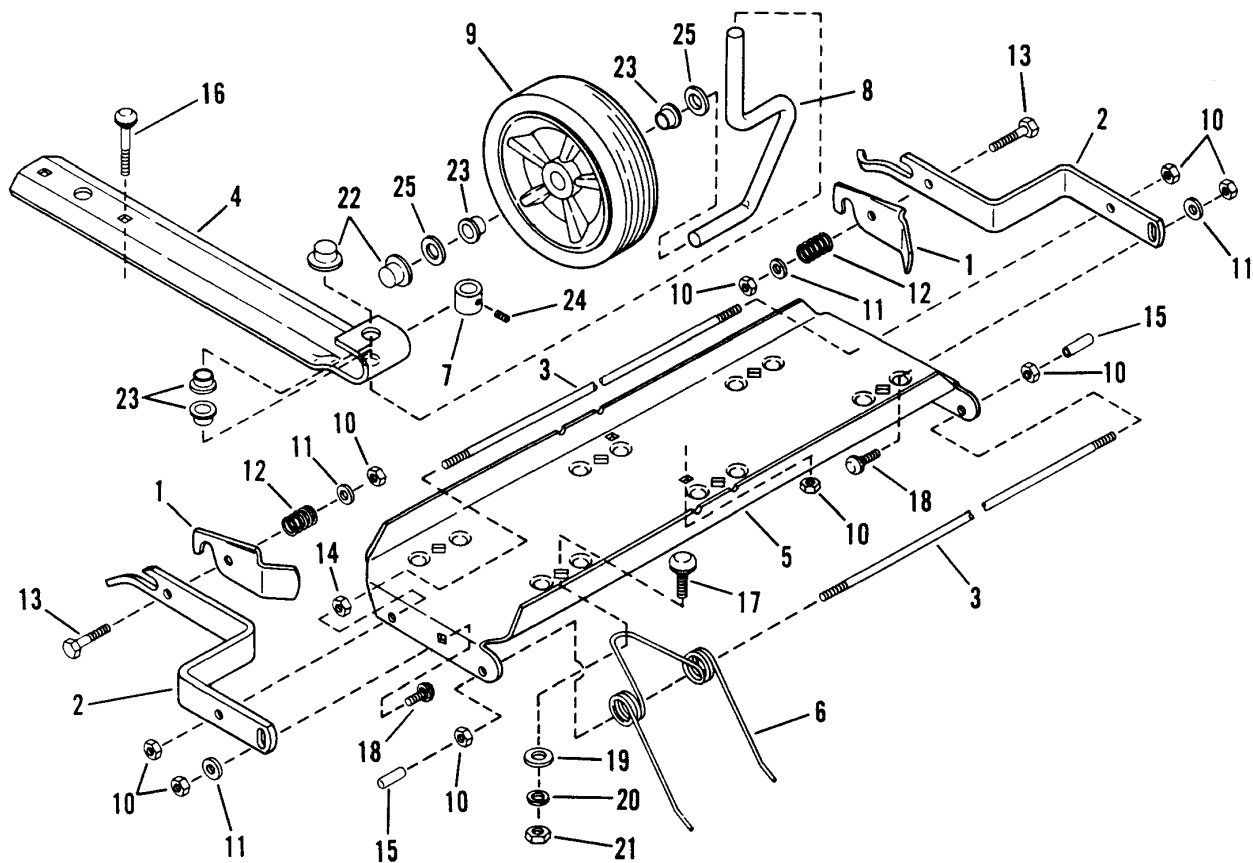
NOTE* Due to HP limitations the Quad / Ninja blade isn't recommended. The above kits are no longer available but individual parts are.



Snapperizer Accessory

Item	Part No	Qty	Description	Note
	7060440		KIT, Snapperizer	<i>(Includes items 1-5)</i>
1	7051243		SCREEN, Fastener Assembly	
2	7039759		RING, Bottom	
3	7091297	3	NUT, 5/16 - 24 Hex	<i>Was 90223</i>
4	7090187	3	WASHER, 5/16 - 24 Hex	
5	7012587	3	SPRING	

Footnotes:

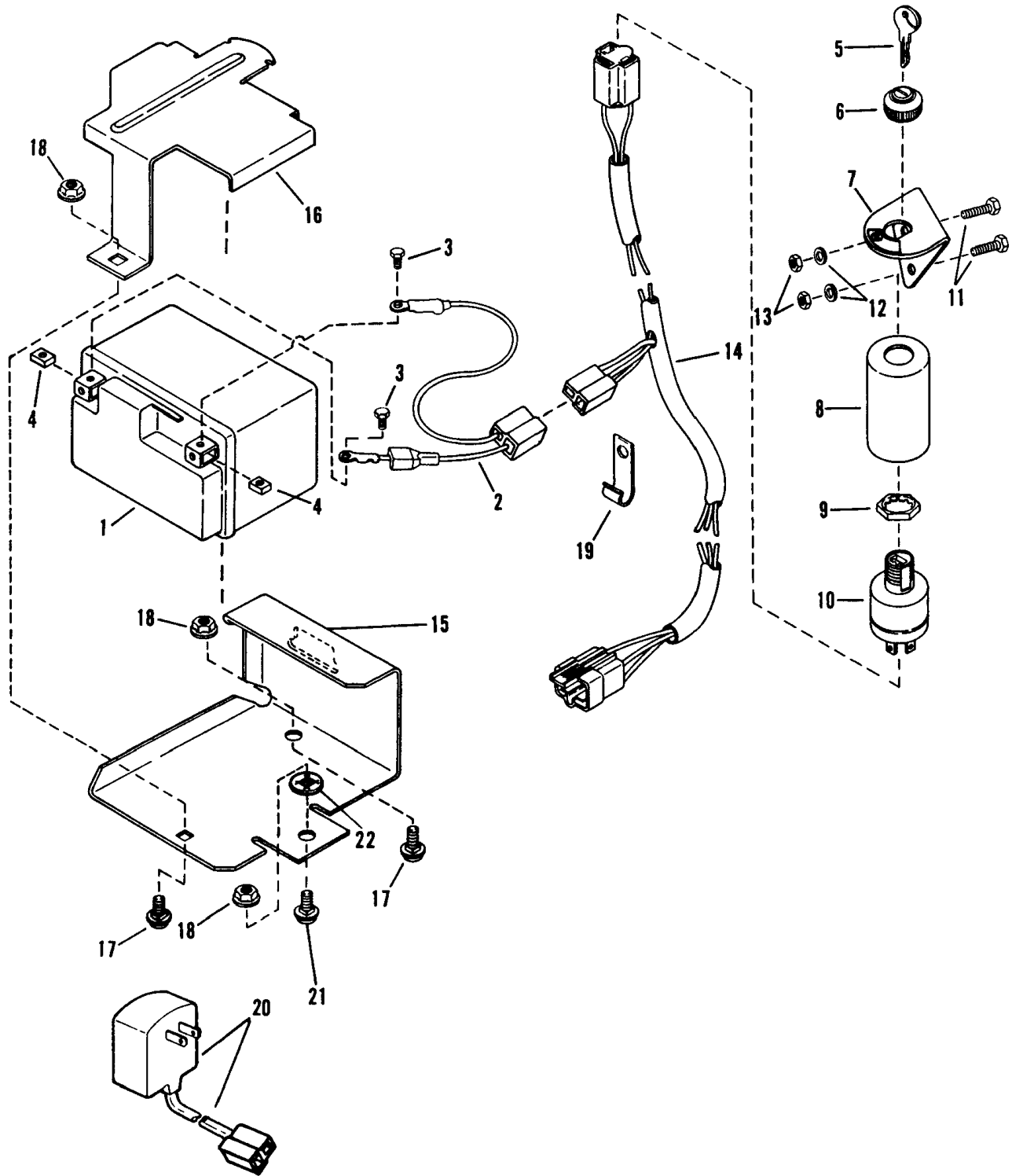


Thatcherizer Accessory

Item	Part No	Qty	Description	Note
	7061256		KIT, Thatcherizer	<i>Was 60960 or 60476 (Includes 1 thru 27)</i>
1	7032891	2	LATCH, Frame Attachment	
2	7060965		BAR, Mount (Right Hand)	<i>Was 32892</i>
2	7060965		BAR, Mount (Left Hand)	<i>Was 32893</i>
3	7018499	2	ROD, Tine	
4	7018700		SUPPORT, Wheel	
5	7019948		TRAY, Tine	
6	7018496	6	SPRING, Tine Thatching	
7	7014100		BUSHING, Wheel Adj.	
8	7018493		AXLE, Wheel	
9	7018189		WHEEL, Gage 7 x 1.50	
10	7091705	10	LOCKNUT, 1/4 - 20 Hex	<i>Was 90761</i>
11	7091294	4	WASHER, 1/4 SAE	<i>Was 90055</i>
12	7022425	2	SPRING, Compression	
13	7090825	2	BOLT, 1/4 - 20 x 1-1/4 Hex	
14	7091576	2	NUT, 1/4 - 20 Hex	<i>Was 90063</i>
15	7022424	2	CAP, Vinyl	
16	7090798	2	BOLT, 1/4 - 20 x 2 1/2 Carriage	
17	7091303	6	BOLT, 5/16 - 18 x 1 Carriage	<i>Was 90383</i>
18	7091530	2	BOLT, 1/4 - 20 x 3/4 Carriage	<i>Was 90074</i>
19	7014098	6	WASHER, Reinforcing	
20	7090187	6	LOCKWASHER, 5/16	
21	7091511	6	NUT, 5/16 - 18 Hex	<i>Was 90196</i>
22	7014101	2	PUSH NUT, 1/2	
23	7014342	4	BEARING, Nyliner	
24	7014103		SETSCREW, 5/16 x 1/4	
25	7090250	2	WASHER, 1/2	
26	7014115		DECAL, Adjustment	<i>(Not Shown)</i>
27	7014062		DECAL, Thatcherizer	<i>(Not Shown)</i>
	7060965		KIT, Adapter	<i>(Includes Items 1, 2 & 10-13)</i>

Footnotes:

Electric Start Accessory



Electric Start Accessory

Item	Part No	Qty	Description	Note
	7067012		KIT, Battery	<i>(Includes items 1, 2, 3 & 4)</i>
1	7067012		BATTERY, 12 Volt	<i>Was 19763</i>
2	7015488		HARNESS, Battery	
3	7043977		SCREW, #10-24 x 1/2" Pan Head Cross Recess	
4	7090932	2	NUT, #10-24 Square	
	7051910		ASSEMBLY, Switch/Bracket	<i>(Incl. items 5 thru 10)</i>
5	7011167		KEY	<i>(Set of 2)</i>
6	7015207		ASSEMBLY, Seal & Face Nut	
7	7038485		BRACKET, Ignition Switch	
8	7023894		COVER, Switch	
9	7015206		NUT, 3/4-20 Switch	
10	7011139		SWITCH, Ignition	<i>Was 15205</i>
11	7091025	2	SCREW, 1/4-28 x 1-3/8" Hex Hd. Cap, Gr. 5	
12	7090053	2	WASHER, 1/4" Internal Tooth Lock	<i>Was 91023</i>
13	7090095	2	NUT, 1/4-28 Hex, Grade 5 or B	<i>Was 91024</i>
14	7019298		HARNESS, Wiring	<i>Was 17213 ('91 Models L Later)</i>
	7019298		HARNESS, Wiring	<i>('91 Models & Later)</i>
15	7032906		BRACKET, Battery	<i>('90 Models & Earlier)</i>
16	7036132		COVER, Battery	<i>(Self-Propelled Models)</i>
17	7090731	2	BOLT, 5/16-18 x 1/2" Carriage, Grade 5	
18	7091601	3	NUT, 5/16-18 Hex Flange Lock	<i>Was 90585</i>
19	7012652		CLIP, Wiring	
20	7061188		CHARGER, Battery (60 Hertz)-P21509BE	<i>Was 18834</i>
	7018977		CHARGER, Battery (230 Volt)-EP21509BE	
21	7090799		BOLT, 5/16-18 x 5/8" Short Neck. Carriage, Gr. 5	<i>Was 91026</i>
22	7011791		RETAINER, 5/16" Bolt	
	7061267		KIT, Battery w/Charger	<i>(Incl. 67012 & item 20)</i>
	7061188		KIT, Battery Charger, 12V	<i>Was 60766 (Includes 20)</i>
	7061385		KIT, Battery w/Charger, 230V/12V (Euro)	<i>(Incl. 67012 & 18977)</i>

Footnotes:

Parts Manual for

SNAPPER®

21" STEEL DECK WALK BEHIND MOWER SERIES 9

IT IS THE POLICY OF SNAPPER TO IMPROVE ITS PRODUCTS
WHENEVER IT IS POSSIBLE AND PRACTICAL TO DO SO. WE
RESERVE THE RIGHT TO MAKE CHANGES OR ADD IMPROVEMENTS
AT ANY TIME WITHOUT INCURRING ANY OBLIGATION TO MAKE
SUCH CHANGES ON PRODUCTS MANUFACTURED PREVIOUSLY.

SNAPPER® McDonough, GA, 30253 U.S.A.